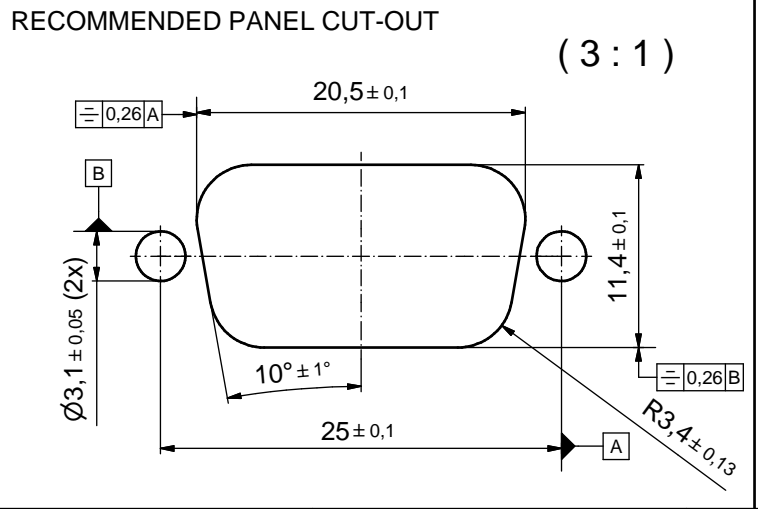
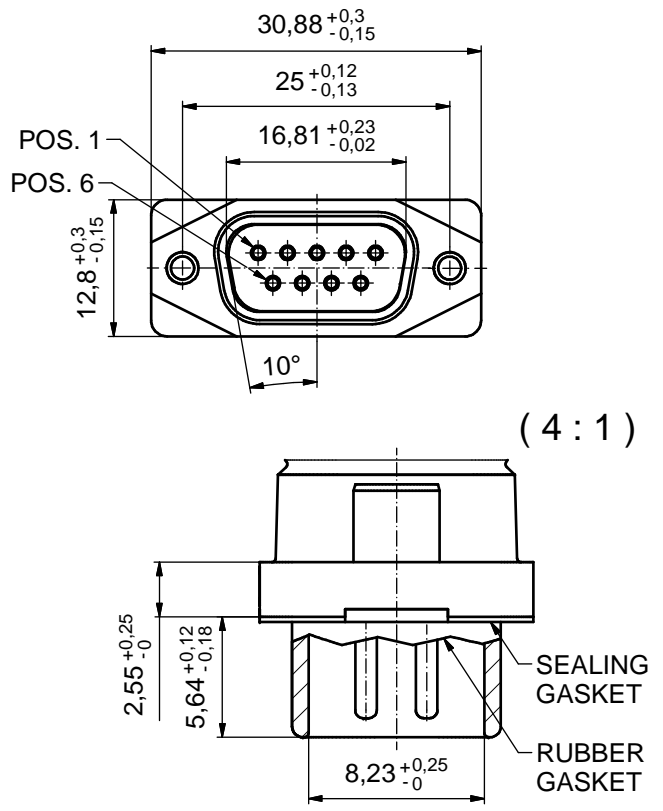
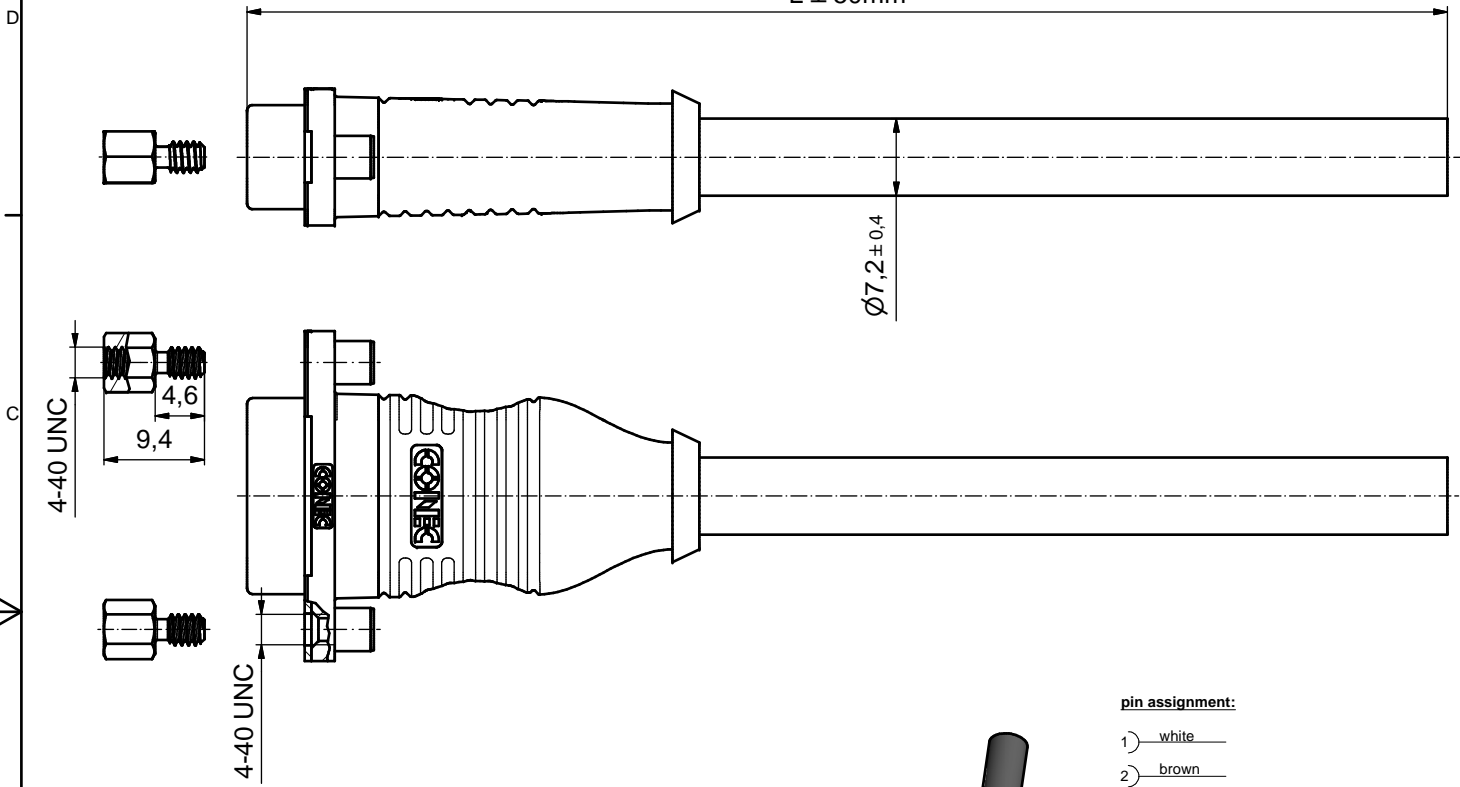


AT ALL TIMES WATER RESISTANT CONNECTORS NOT IN USE SHOULD BE COVERED WITH A CONEC WATER RESISTANT CAP OR WATER TIGHT HOOD.



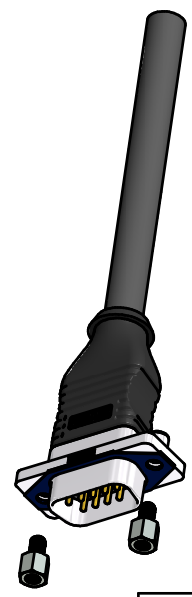
pin assignment:

- 1) white
- 2) brown
- 3) green
- 4) yellow
- 5) red
- 6) blue
- 7) grey
- 8) pink
- 9) -

part-no.:	length L:	cable:
15-006643	2m	LiYCY (TP) 4x2x0,25mm² UL2464 cable: 781-GAQ280T
15-006653	4m	
15-006663	5m	

NOTES:

1. IP RATING: IP 67
2. METAL SHELL: ZINC DIE CAST; min. 50µin NICKEL PLATING over COPPER
3. INSULATORS: PBT GF UL 94 V-0; BLACK
4. SEALING COMPOUND: EPOXY RESIN UL 94 V-0; BLACK
5. CONTACTS: COPPER ALLOY; GOLD FLASH over NICKEL
6. SEALING GASKET: SILICONE; BLUE
7. RUBBER GASKET: TPE; BLACK
8. HEXLOCKING SCREWS: STAINLESS STEEL
9. OVERMOLDING: TECHNOMELT; BLACK
10. RECOMMENDED TORQUE FOR MOUNTING SCREW 35Ncm (3.1 in.LB) / max.67Ncm (6 in.LB)
11. CONNECTOR IS PART MARKED: [PART NO. CONEC ABC]



RoHS compliant

DO NOT ALTER CAD DRAWING BY HAND		tolerance		dim. in mm	scale: 2:1 (3:1) (4:1)	
		date			material: SEE NOTES	
THIS DRAWING MAY NOT BE COPIED OR REPRODUCED IN ANY WAY, AND MAY NOT BE PASSED ON TO A THIRD PARTY WITHOUT WRITTEN PERMISSION. OWNERSHIP AND COPYRIGHT OF CONEC GmbH		drawn	17.02.2016	name		title: D-SUB MALE 9pos. MOLDED with closed 4-40 UNC thread
		appd.	26.02.2016	Fischer		
a Original		norm		dwg no:		15K1A1705
		d-old		DIN-A3		
rev. description date name		CONEC		part no:		sh: 1
						SEE TABLE

X-ON Electronics

Largest Supplier of Electrical and Electronic Components

Click to view similar products for [D-Sub Cables](#) category:

Click to view products by [CONEC](#) manufacturer:

Other Similar products are found below :

[1200980218](#) [1200980067](#) [RB09P09P-006](#) [RB09P09P-012](#) [RB15P15P-006](#) [RB25P25P-006](#) [RB37P37P-024](#) [172-0906](#) [SHD15P15S-012](#)
[SHD15P15S-036](#) [SHD15P15S-060](#) [ACL-10137-2MM](#) [RB09P09P-024](#) [319285-3](#) [RS422-OM2](#) [SHD26P26S-060](#) [SHD44P44S-036](#) [73-](#)
[6210MM-6](#) [C200H-CN320-EU](#) [49725A 060S2](#) [73231-1321](#) [SDB-50AFFM-SL7A02](#) [49760A 060S2](#) [HDB-26AFFM-SL7A02](#) [30-9503P](#) [30-](#)
[9522P](#) [73-6220MM-6](#) [1200980058](#) [1200980066](#) [1200980078](#) [1200980052](#) [1200980093](#) [1200980028](#) [1200980021](#) [1200980127](#) [SDB-](#)
[09AFFM-SL7A02](#) [BB-LDVYCBL](#) [83421-9286](#) [MLDM2L-21P-6K7-18B](#) [KSFD1](#) [MM-2J2-021-SS1-41WN](#) [HDB-78AMMM-SL7A05](#) [SDB-](#)
[37AMMM-SL7A03](#) [SDB-15AFFM-SL7A05](#) [ACC-500-163-R](#) [172-1910](#) [2900907/21.4](#) [VS-25-DSUB-20-LI-2,0](#) [VS-25-DSUB-20-LI-5,0](#) [VS-](#)
[09-DSUB-201-LI-0,4-AC](#)