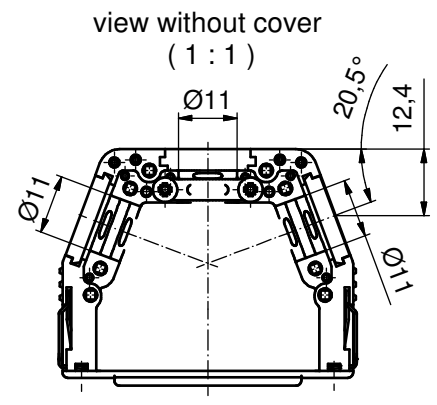
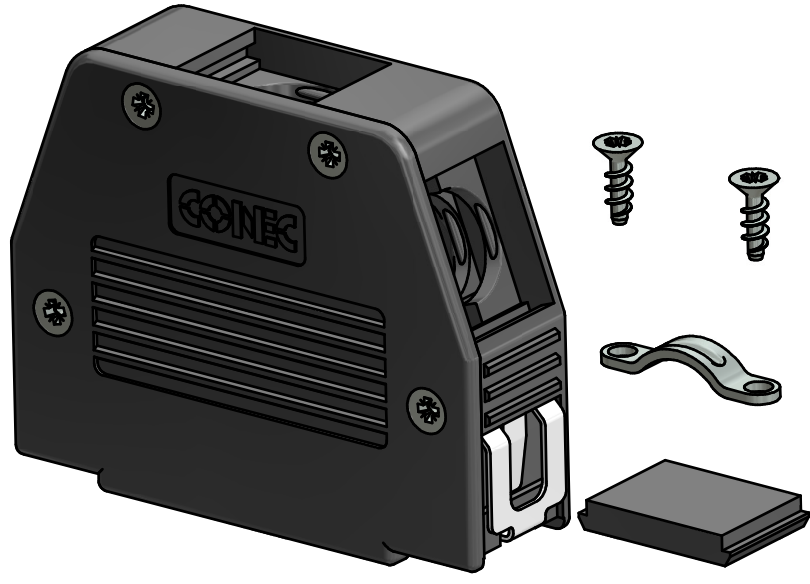
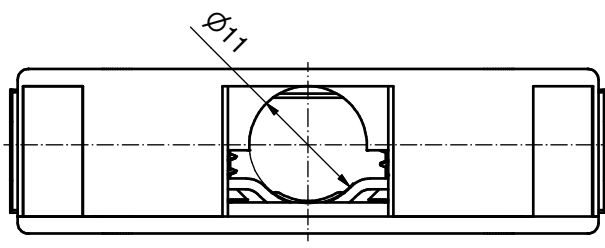
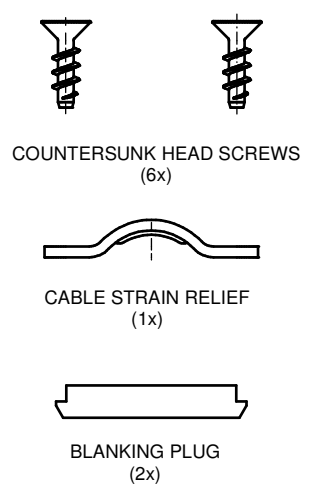
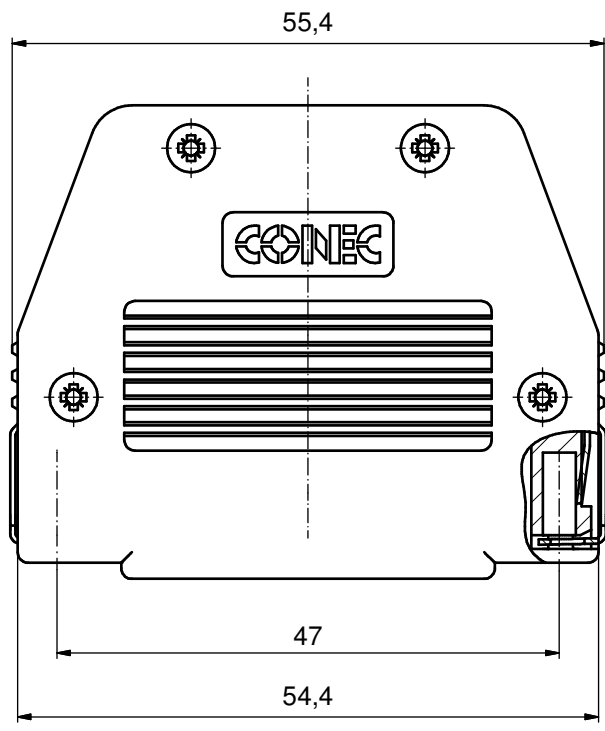
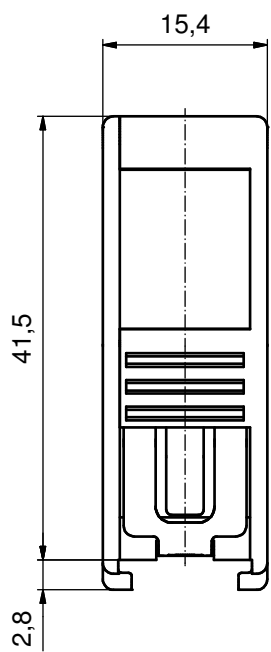


6 5 4 3 2 1



- HOOD ASSEMBLY CONSISTS OF:**
1. HOOD + COVER: ABS UL 94 V-0; BLACK
 2. BLANKING PLUGS: ABS UL 94 V-0; BLACK
 3. CABLE STRAIN RELIEF: STEEL; NICKEL PLATED
 4. CLIP: STAINLESS STEEL
 5. COUNTERSUNK HEAD SCREWS: STEEL; NICKEL PLATED

c	Part-No.	Part-No.
	Bulk package	Single package
	16-001830	16-001830E

RoHS compliant

THIS DRAWING MAY NOT BE COPIED OR REPRODUCED IN ANY WAY, AND MAY NOT BE PASSED ON TO A THIRD PARTY WITHOUT WRITTEN PERMISSION. OWNERSHIP AND COPYRIGHT OF CONEC GmbH DO NOT ALTER CAD DRAWING BY HAND	tolerance		dim. in mm		scale: 2:1 (1:1)	
					material: see drawing	
	drawn	12.11.12	name		title: Plastic Hood 25pos with Snap Lock / top and two sides cable exit	
	appd.	26.03.14	name			
	norm					
	2 x c	Ä5619	22.04.2015	K.H.	d-old	SK0823Y15
3 x b	Ä5357	24.09.2014	K.H.			DIN-A3
a	Original					sh: 1
rev.	description	date	name	CONEC		part no: c b SEE TABLE

6 5 4 3 2 1

X-ON Electronics

Largest Supplier of Electrical and Electronic Components

Click to view similar products for [D-Sub Backshells](#) category:

Click to view products by [CONEC](#) manufacturer:

Other Similar products are found below :

[M85049/6-38N](#) [M85049/86-12N03](#) [M85049/90-13P03](#) [70.350.0636.4](#) [70.350.2435.1](#) [72.350.1035.2](#) [72.352.2435.1](#) [73.359.4035.3](#) [829472-1](#)
[PCS-E20W](#) [970-015-040R011](#) [970-025-040R011](#) [971-009-030R121](#) [971-009-040R011](#) [971-015-040R011](#) [1437013-9](#) [1484402-8](#) [156-3025-](#)
[EX](#) [16-500800](#) [165X02659X](#) [165X03329A](#) [165X03399A](#) [165X10259X](#) [165X11759X](#) [165X11889X](#) [165X13019X](#) [165X13029X](#)
[165X13169X](#) [165X13199X](#) [165X13239X](#) [165X13389X](#) [165X13489X](#) [165X14219X](#) [165X14449X](#) [165X17409X](#) [165X17439X](#)
[165X17569X](#) [165X17599X](#) [165X17609X](#) [165X17889X](#) [165X17979X](#) [L171373](#) [971-025-030R121](#) [300X10989X](#) [165X02609X](#)
[165X02639X](#) [165X02689X](#) [165X04219A](#) [165X10469X](#) [165X11279X](#)