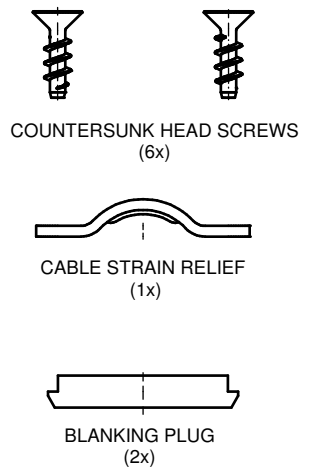
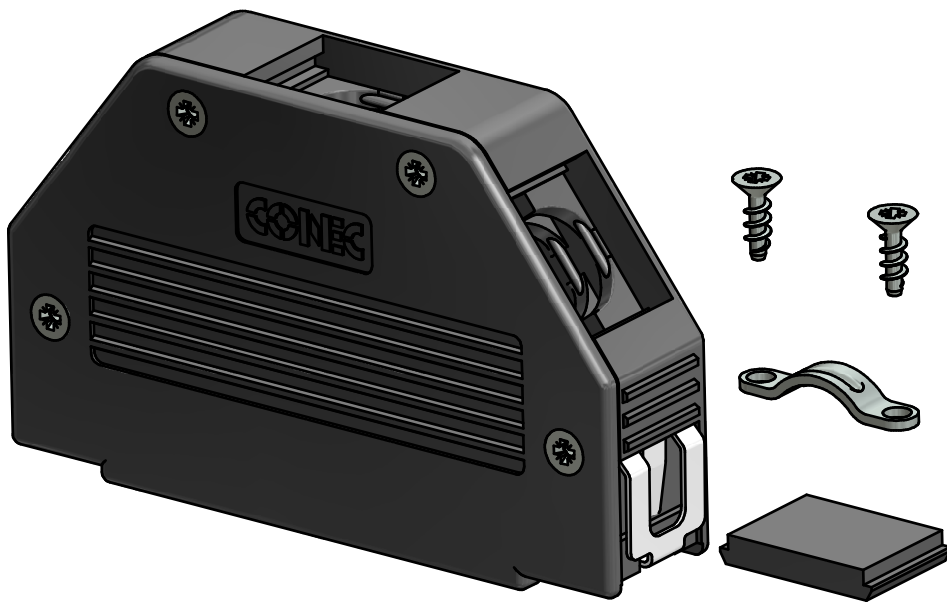
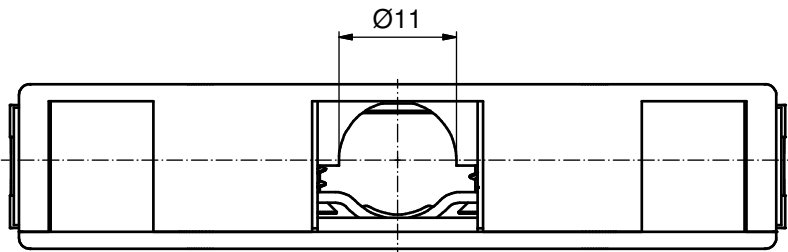
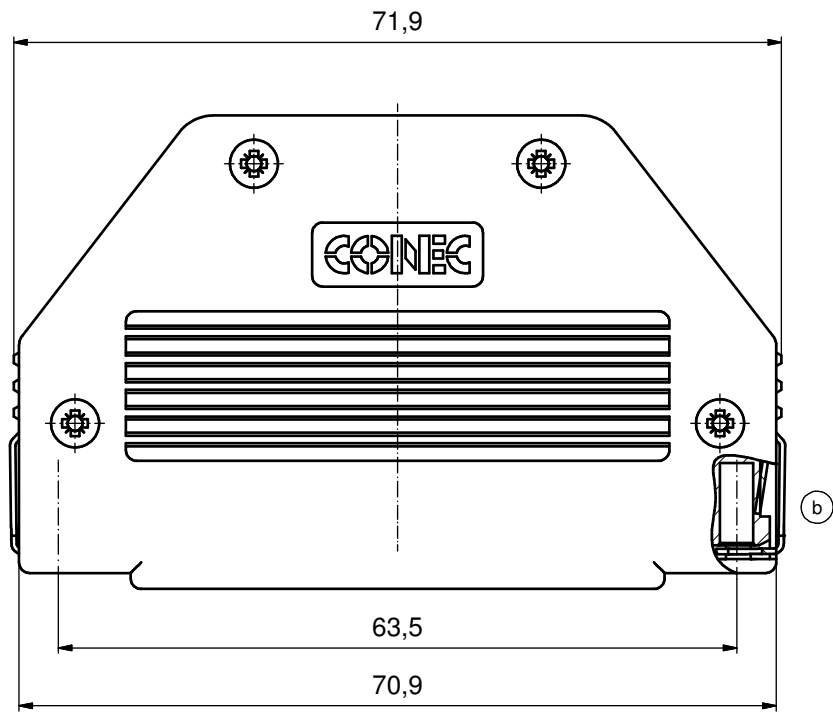
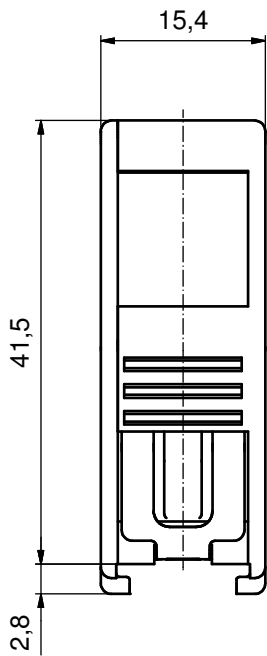
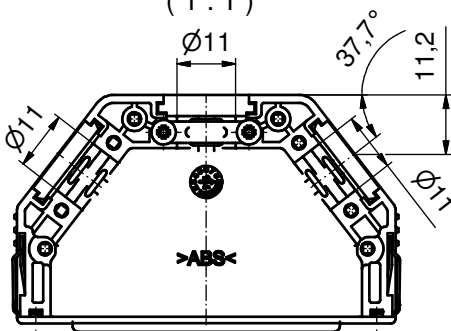


6 5 4 3 2 1



view without cover (1:1)



RoHS compliant

Part-No.	Part-No.
Bulk package	Single package
16-001840	16-001840E

- HOOD ASSEMBLY CONSISTS OF:**
- (b) 1. HOOD + COVER: ABS UL 94 V-0; BLACK
 - 2. BLANKING PLUGS: ABS UL 94 V-0; BLACK
 - 3. CABLE STRAIN RELIEF: STEEL; NICKEL PLATED
 - 4. CLIP: STAINLESS STEEL
 - 5. COUNTERSUNK HEAD SCREWS: STEEL; NICKEL PLATED

THIS DRAWING MAY NOT BE COPIED OR REPRODUCED IN ANY WAY, AND MAY NOT BE PASSED ON TO A THIRD PARTY WITHOUT WRITTEN PERMISSION. OWNERSHIP AND COPYRIGHT OF CONEC GmbH DO NOT ALTER CAD DRAWING BY HAND	tolerance		dim. in mm		scale: 2:1 (1:1)	
	material:		see drawing			
	drawn	13.11.12	date	name	title:	
	appd.	06.05.14	norm	SK0823Y15	Plastic Hood 37pos with Snap Lock / top and two sides cable exit	
2 x b	Ä5619	22.04.2015	K.H.	d-old	SK0823Y15	dwg no:
3 x b	Ä5357	25.09.2014	K.H.			DIN-A3
a	Original					sh: 1
rev.	description	date	name			part no: (c) (b) SEE TABLE

X-ON Electronics

Largest Supplier of Electrical and Electronic Components

Click to view similar products for [D-Sub Backshells](#) category:

Click to view products by [CONEC](#) manufacturer:

Other Similar products are found below :

[M85049/6-38N](#) [M85049/86-12N03](#) [M85049/90-13P03](#) [70.350.0636.4](#) [70.350.2435.1](#) [72.350.1035.2](#) [72.352.2435.1](#) [73.359.4035.3](#) [829472-1](#)
[PCS-E20W](#) [970-015-040R011](#) [970-025-040R011](#) [971-009-030R121](#) [971-009-040R011](#) [971-015-040R011](#) [1437013-9](#) [1484402-8](#) [156-3025-](#)
[EX](#) [16-500800](#) [165X02659X](#) [165X03329A](#) [165X03399A](#) [165X10259X](#) [165X11759X](#) [165X11889X](#) [165X13019X](#) [165X13029X](#)
[165X13169X](#) [165X13199X](#) [165X13239X](#) [165X13389X](#) [165X13489X](#) [165X14219X](#) [165X14449X](#) [165X17409X](#) [165X17439X](#)
[165X17569X](#) [165X17599X](#) [165X17609X](#) [165X17889X](#) [165X17979X](#) [L171373](#) [971-025-030R121](#) [300X10989X](#) [165X02609X](#)
[165X02639X](#) [165X02689X](#) [165X04219A](#) [165X10469X](#) [165X11279X](#)