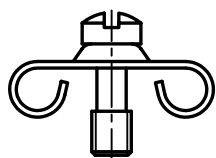
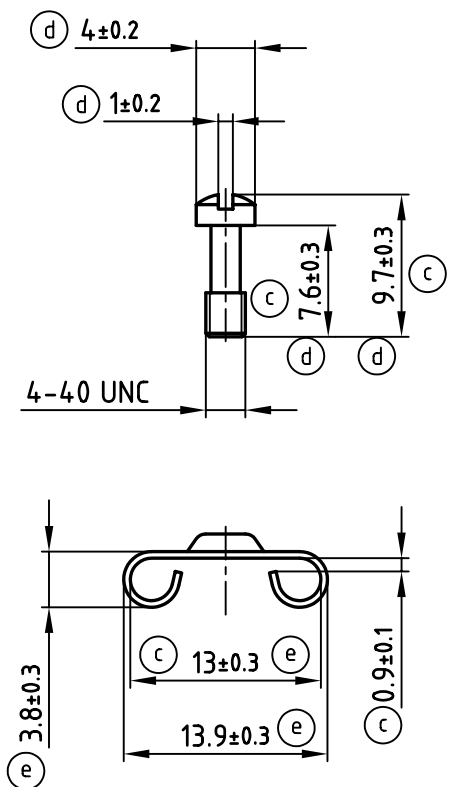


used for: D-SUB



1 SET CONSISTS OF :
2 CLAMPS
2 SCREWS

Directive 2002/95/EC
"RoHS"
Compliant

PART-NO.	BULK QUANTITY
160X10259X	1 SET
160X00949A	100 SETS

THIS DRAWING MAY NOT BE COPIED OR REPRODUCED IN ANY WAY, AND MAY NOT BE PASSED ON TO A THIRD PARTY WITHOUT WRITTEN PERMISSION.
OWNERSHIP AND COPYRIGHT OF CONEC GmbH
DO NOT ALTER CAD DRAWING BY HAND

tolerance		scale: 2:1	
2001	date	material: (b) (f) STEEL; NICKEL PLATED	
drawn	21.08.	title: CLAMP 9-37pos.	
name	Parei	dwg no: AutoCAD 2000 DIN-A	
1 x f	Ä 2441	16K1A274A (d)	
3 x e	Ä 2228	sh:1/2	
5 x d	Ä 2210	part no: SEE TABLE	
4 x c	Ä 2156		
2 x b	Ä 1819		
rev.	description	date	name



material: (b) (f) STEEL; NICKEL PLATED
title: CLAMP 9-37pos.
dwg no: AutoCAD 2000 DIN-A
16K1A274A (d)
sh:1/2
part no: SEE TABLE

4

3

2

1

used for: D-SUB

F

F

E

E

D

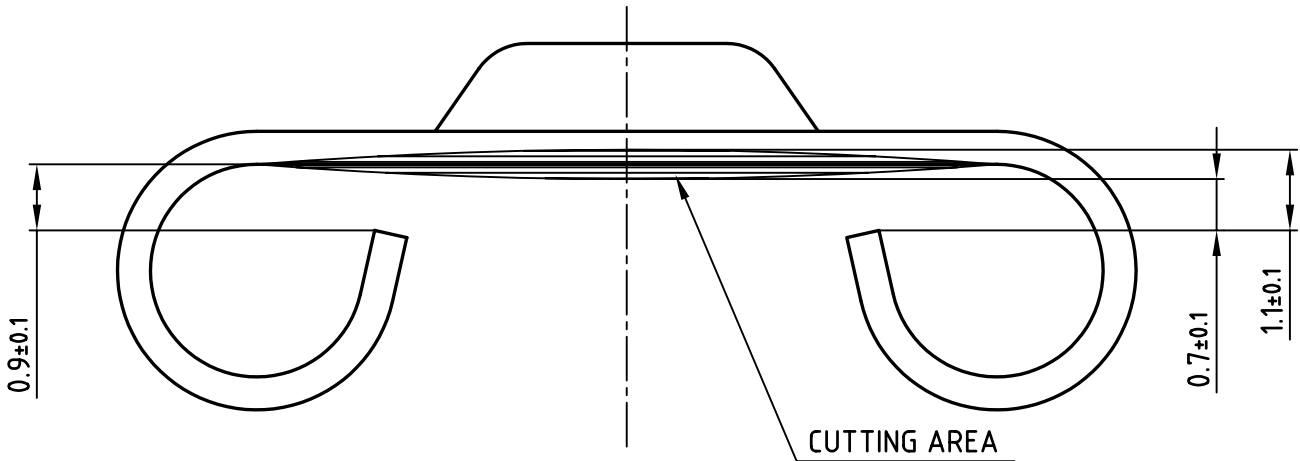
D

C

C

B

B



THIS DRAWING MAY NOT BE COPIED OR REPRODUCED IN ANY WAY, AND MAY NOT BE PASSED ON TO A THIRD PARTY WITHOUT WRITTEN PERMISSION.
 OWNERSHIP AND COPYRIGHT OF CONEC GmbH
 DO NOT ALTER CAD DRAWING BY HAND

1x d	Ä 2210	21.04.2005	HS
rev.	description	date	name

tolerance		
2005	date	
drawn	21.04.	name
appd.	21.04.	Labus
norm		
d-old		

scale:	10:1
material:	SEE SHEET 1
title:	CLAMP 9-37pos.
dwg no:	AutoCAD 2004
part no:	SEE SHEET 1
	DIN-A 4 (d) sh:2/2

4

3

2

1

A

A

X-ON Electronics

Largest Supplier of Electrical and Electronic Components

Click to view similar products for [D-Sub Tools & Hardware](#) category:

Click to view products by [CONEC](#) manufacturer:

Other Similar products are found below :

[000-01-09-132](#) [000-01-21-132](#) [000-01-31-162](#) [572019-00105-70](#) [000-01-37-162](#) [621-250-113-115](#) [D110550-2](#) [D20418-137](#) [780-518-50SG6-WS](#) [86552009](#) [86553115TLF](#) [86553117TLF](#) [1230032-1](#) [1-5021101-2](#) [1589283-4](#) [160-000-005R031](#) [16-000230](#) [160-025-004R031](#) [160-000-137R000](#) [160-020-209R000](#) [164C03939A](#) [177-505-A-2-2](#) [1-966830-8](#) [21018-6](#) [21028-2](#) [2-1393560-9](#) [JS-1000](#) [L17D204182M3E](#) [L17D53018](#) [300X10779X](#) [160X10189X](#) [160X10419X](#) [160X10959X](#) [162-000-050R000](#) [21018-5](#) [212561-3](#) [248C21550X](#) [CF15P](#) [QLOCKPOST-2](#) [D110277](#) [500-008NF1K-01](#) [500-008NF3R3KS-01](#) [500-017M09FN](#) [500-017M15MHN](#) [500-024M1](#) [500-068M3](#) [5-1393561-5](#) [C115373-0001](#) [C115373-0002](#) [3342-4-KIT](#)