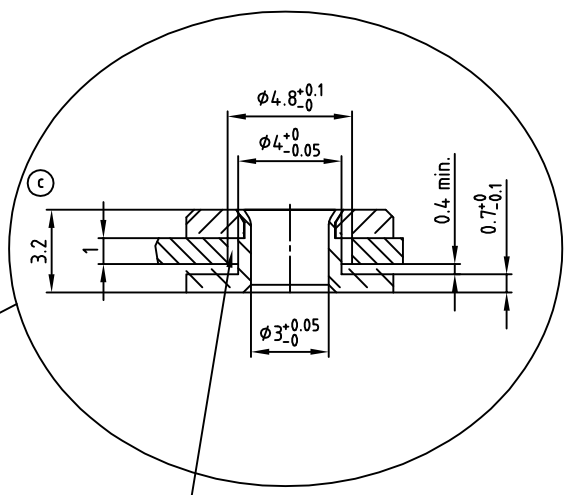
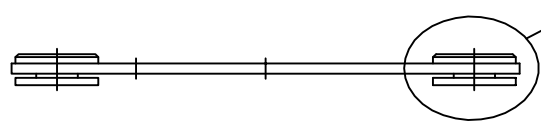
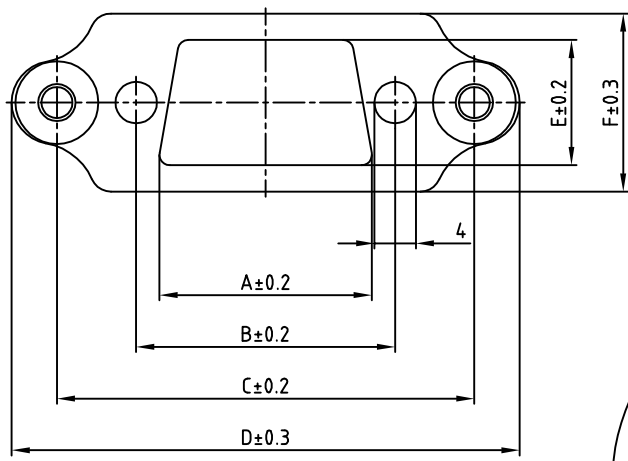


used for: D-SUB



the radius movement 0.8-0.95mm

No. of pos.	A ±0.2	B ±0.2	C ±0.2	D ±0.3	E ±0.2	F ±0.3	Part NO.
9	20.50	24.99	40.28	49.02	12.10	17.20	160X10889X
15	28.80	33.32	48.62	57.35	12.10	17.20	160X10899X
25	42.50	47.04	62.51	71.25	12.10	17.20	160X10909X
37	59.10	63.50	78.79	87.53	12.10	17.20	160X10919X
50	56.30	61.11	76.40	85.14	14.80	20.04	160X10929X

Directive 2002/95/EC
RoHS
Compliant

- NOTES:
- FRAME
MATERIAL: STEEL
FINISH: NICKEL PLATED
 - FLOAT-BUSHING
MATERIAL: COPPER ALLOY
FINISH: NICKEL PLATED

APPROVAL # FREIGABE # DEBLOCAGE # AUTORIZACION # APPROVAL

CUSTOMER APPROVAL DATE:

NAME: TITLE:

COMPANY NAME:

APPROVAL # FREIGABE # DEBLOCAGE # AUTORIZACION # APPROVAL

THIS DRAWING MAY NOT BE COPIED OR REPRODUCED IN ANY WAY, AND MAY NOT BE PASSED ON TO A THIRD PARTY, WITHOUT WRITTEN PERMISSION.
OWNERSHIP AND COPYRIGHT OF CONEC GmbH
DO NOT ALTER CAD DRAWING BY HAND

rev.	description	date	name	tolerance	dim. in mm
1 x c	Ä344	31.08.09	Sonne	2001	date
1 x b	Ä 2478	05.04.06	HS	drawn	19.02. Parei
				appd.	19.02. Mickenbecker
				norm	
				d-old	

scale: 2:1 (5:1)

material: SEE NOTES

title: D-SUB FRAME WITH FLOAT MOUNT 9-50pos.

dwg no: AutoCAD 2000 DIN-A 3

part no: SEE TABLE sh: 1/1



X-ON Electronics

Largest Supplier of Electrical and Electronic Components

Click to view similar products for [D-Sub Tools & Hardware](#) category:

Click to view products by [CONEC](#) manufacturer:

Other Similar products are found below :

[000-01-09-132](#) [000-01-21-132](#) [000-01-31-162](#) [572019-00105-70](#) [000-01-37-162](#) [621-250-113-115](#) [D110550-2](#) [D20418-137](#) [780-518-50SG6-WS](#) [86552009](#) [86553115TLF](#) [86553117TLF](#) [1230032-1](#) [1-5021101-2](#) [1589283-4](#) [160-000-005R031](#) [16-000230](#) [160-025-004R031](#) [160-000-137R000](#) [160-020-209R000](#) [164C03939A](#) [177-505-A-2-2](#) [1-966830-8](#) [21018-6](#) [21028-2](#) [2-1393560-9](#) [JS-1000](#) [L17D204182M3E](#) [L17D53018](#) [300X10779X](#) [160X10189X](#) [160X10419X](#) [160X10959X](#) [162-000-050R000](#) [21018-5](#) [212561-3](#) [248C21550X](#) [CF15P](#) [QLOCKPOST-2](#) [D110277](#) [500-008NF1K-01](#) [500-008NF3R3KS-01](#) [500-017M09FN](#) [500-017M15MHN](#) [500-024M1](#) [500-068M3](#) [5-1393561-5](#) [C115373-0001](#) [C115373-0002](#) [3342-4-KIT](#)