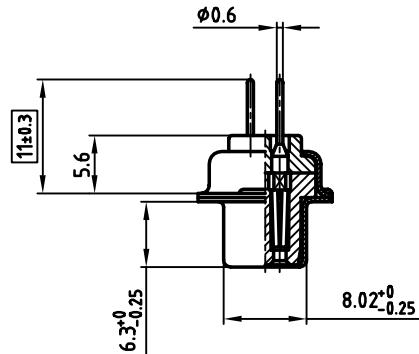
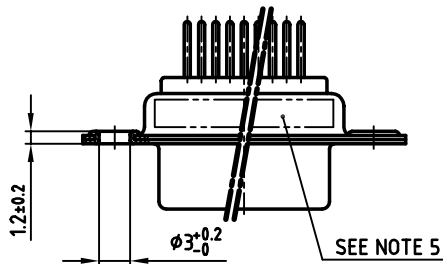
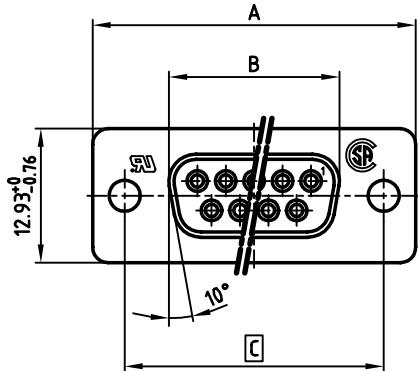


used for: D-SUB



| No. of pos. | A ^{-0.76} | B ^{-0.25} | C | Part No. |
|-------------|--------------------|--------------------|---|-------------------|
| 9 | 31.19 | 16.46 | 25.00 ^{-0.12} / _{-0.13} | 162A10069X |
| 15 | 39.52 | 24.79 | 33.30 ^{-0.15} / _{-0.11} | 162A10079X |
| 25 | 53.42 | 38.50 | 47.04 ^{±0.13} | 162A10089X |
| 37 | 69.70 | 54.96 | 63.50 ^{±0.13} | 162A10099X |

NOTES:

- METALSHELLS: STEEL; 315µm YELLOWCHROME OVER 120µ" ZINC
- INSULATORS: PBT GF UL 94 V-0, BLACK
- CONTACTS: COPPER ALLOY
PLATING: min. 8µ" HARD GOLD OVER min. 50µ" NICKEL
- P.C.B. HOLE DRILLINGS ON DRAWING NO.: 16K111UA
- CONNECTOR IS PART MARKED: PART-NO. CONEC Y/WW
- = CRITICAL DIMENSION

THIS DRAWING MAY NOT BE COPIED OR REPRODUCED IN ANY WAY, AND MAY NOT BE PASSED ON TO A THIRD PARTY, WITHOUT WRITTEN PERMISSION.
 OWNERSHIP AND COPYRIGHT OF CONEC GmbH
 DO NOT ALTER CAD DRAWING BY HAND

| | | | |
|-----------|--------|---|--|
| tolerance | | scale: 2:1 | |
| | | material: SEE NOTES | |
| 2002 | date | name | |
| drawn | 28.08. | Parei | |
| appd. | 28.08. | Resonnek | |
| norm | | DIN 41652 | |
| d-old | | | |
| rev. | | description | |
| date | | name | |
| | | | |
| | | title: D-SUB FEMALE 9-37pos. SOLDER PIN STRAIGHT | |
| | | dwg no: AutoCAD 2000 DIN-A | |
| | | 16K1A741 3 sh:1/1 | |
| | | part no: SEE TABLE | |

X-ON Electronics

Largest Supplier of Electrical and Electronic Components

Click to view similar products for [D-Sub Standard Connectors](#) category:

Click to view products by [CONEC](#) manufacturer:

Other Similar products are found below :

[DCM37S732N](#) [DAM15P500](#) [DEV09S364GTLF](#) [DEM09P032N](#) [DDM50P732N](#) [DAM15S332N](#) [173109-2218](#) [173109-2466](#) [173109-2436](#)
[173109-2435](#) [56F706-005-LI](#) [56F711-015](#) [015-0341-000](#) [015-0372-008](#) [015-8544-011](#) [017041-0005](#) [020419-0104](#) [012-0515-000](#) [012-9507-](#)
[034](#) [012-9507-114](#) [012-9534-001](#) [020745-0008](#) [609-25P](#) [M24308/2-23Z](#) [M243082310F](#) [M243082410F](#) [M243082411F](#) [M24308/4-21](#)
[CT1A18-11PSA206](#) [CT1N36-5SC](#) [CT2-16S-17PS](#) [CT2-20-15PCAU](#) [CT2-24-12PS](#) [CT2-24-28PSF127A206](#) [CT2-32-9PC](#) [CT6F9767-14-4-](#)
[14S-5PC](#) [CT6FA10SL-4PS](#) [CT7-18-10SC](#) [CT7-18-10SCAU](#) [CT7-18-12SCAU](#) [CT7-18-1PC](#) [CT7-18-1PCAU](#) [CT7-18-21SCAU](#) [M83513/01-](#)
[FC](#) [M83723/76W24619 L/C](#) [M85049/48-3-2F](#) [69001-865](#) [6STD09PCM99B70X](#) [6STD09SCM99B30X](#) [6STD09SCT99S40X](#)