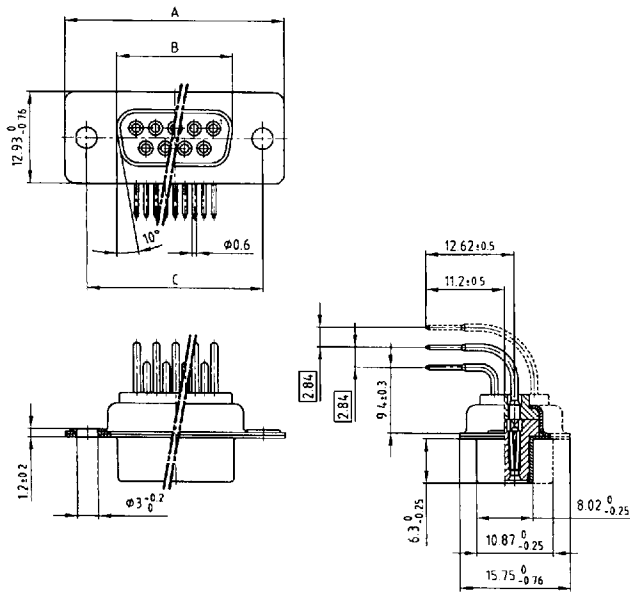


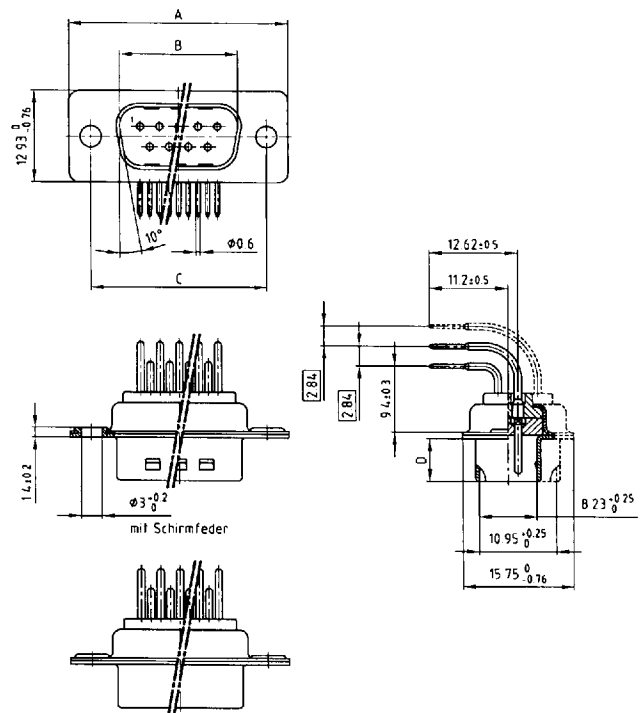
•370 inch

Solder pin angled

Socket connector



Plug connector



Kat 1 i H4A

Kat 1 i H5A ohne Schirmfeder

No. of pos.	A - 0,76	B - 0,25	C
9	31,19	16,46	25,00 $^{+0,12}_{-0,13}$
15	39,52	24,79	33,30 $^{+0,15}_{-0,10}$
25	53,42	38,50	47,04 $^{+0,13}$
37	69,70	54,96	63,50 $^{+0,13}$
50	67,31	52,55	61,10 $^{+0,14}_{-0,11}$

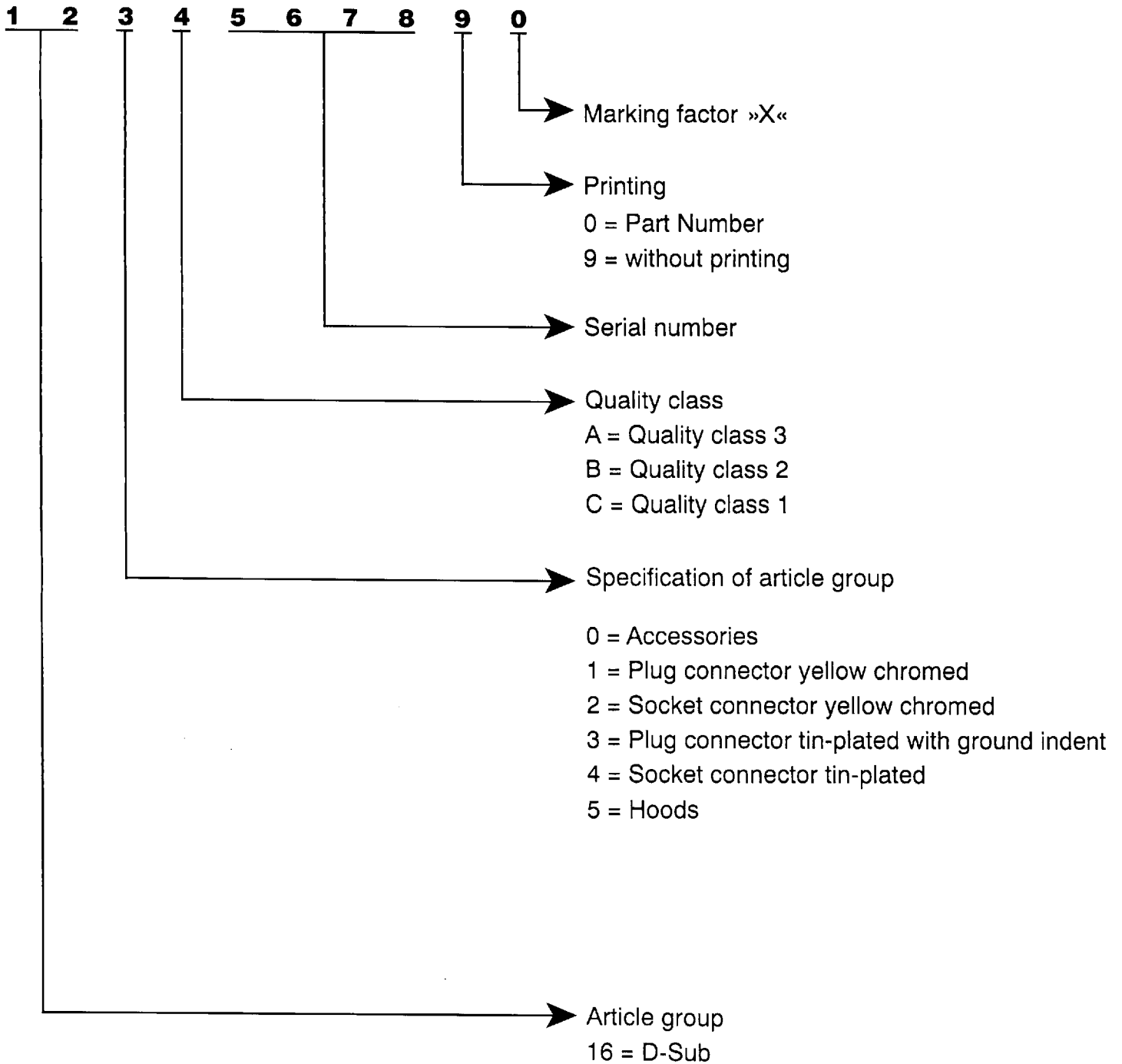
No. of pos.	A - 0,76	B + 0,25	C	D - 0,30
9	31,19	16,79	25,00 $^{+0,12}_{-0,13}$	6,12
15	39,52	25,12	33,30 $^{+0,15}_{-0,10}$	6,12
25	53,42	38,84	47,04 $^{+0,13}$	5,99
37	69,70	55,30	63,50 $^{+0,13}$	5,99
50	67,31	52,68	61,10 $^{+0,14}_{-0,11}$	5,99

## Part numbers

No. of Pos.	Socket connector – solder pin angled	
	yellow zinc	tin-plated
9	CDF 09 A 162 A 10169 X	CDF 09 ASN 164 A 10169 X
15	CDF 15 A 162 A 10179 X	CDF 15 ASN 164 A 10179 X
25	CDF 24 A 162 A 10189 X	CDF 25 ASN 164 A 10189 X
37	CDF 37 A 162 A 10199 X	CDF 37 ASN 164 A 10199 X
50	CDF 50 A 162 A 10209 X	CDF 50 ASN 164 A 10209 X

No. of Pos.	Plug connector – solder pin angled	
	yellow zinc without ground indent	tin-plated with ground indent
9	CDS 09 A 161 A 10169 X	CDS 09 AFSN 163 A 11219 X
15	CDS 15 A 161 A 10179 X	CSD 15 AFSN 163 A 11229 X
25	CDS 25 A 161 A 10189 X	CDS 25 AFSN 163 A 11239 X
37	CDS 37 A 161 A 10199 X	CDS 37 AFSN 163 A 11249 X
50	CDS 50 A 161 A 10209 X	CDS 50 AFSN 163 A 11259 X

### Part Number



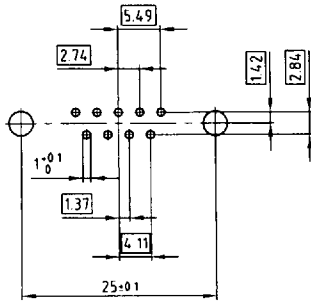
### Order example

Plug connector Solder bucket 25 pos. without printing		
Quality class	Part Number	
3	CDS 25 L	161 A 10039 X
2	CDS 25 L	161 B 10039 X
1	CDS 25 L	161 C 10039 X

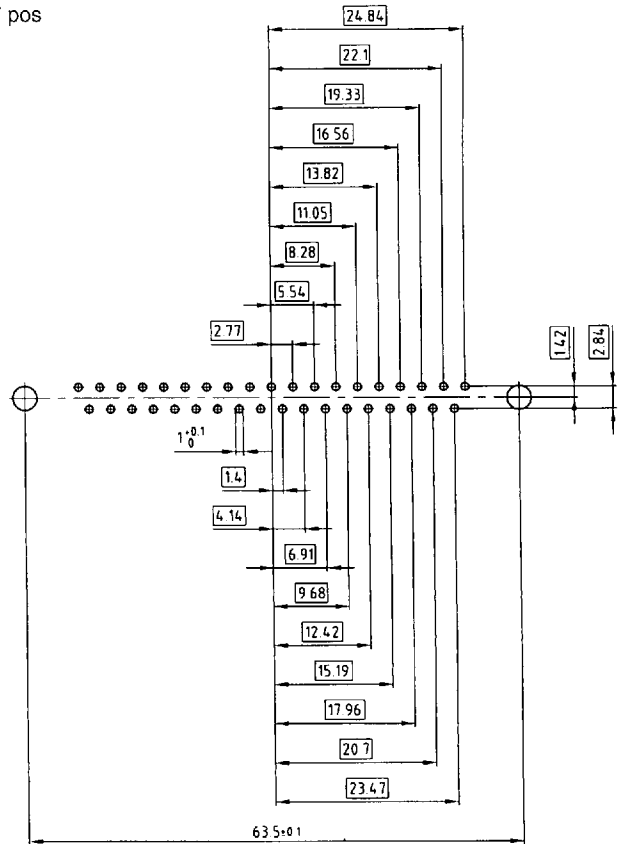
9017935 0000071 237

### Hole pattern for straight and angled solder pins D-Sub standard

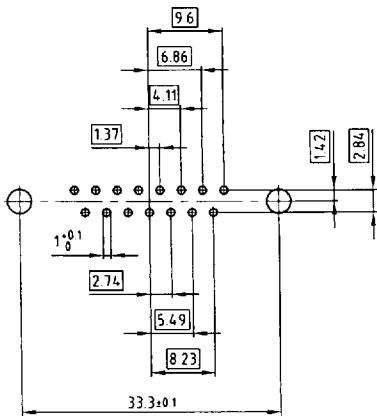
9 pos



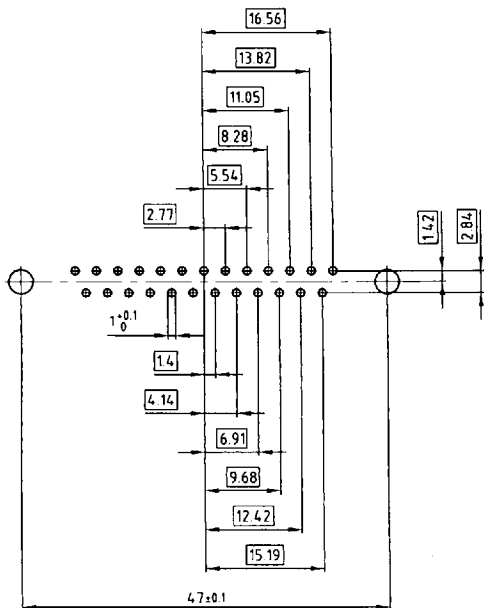
37 pos



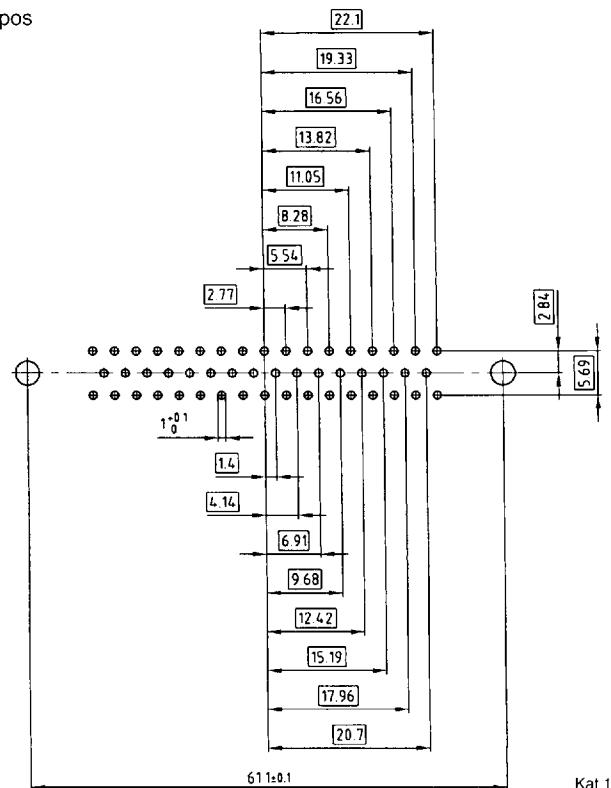
15 pos



25 pos



50 pos



Kat 1 i U3A

Kat 1 i U4A

Technical Data	D-Sub Standard	D-Sub High Density
Initial contact resistance	≤ 10 mΩ	≤ 10 mΩ
Initial insulation resistance	Quality class 1 ≥ 5GΩ Quality class 2 ≥ 5GΩ Quality class 3 ≥ 5GΩ	Quality class 1 ≥ 5GΩ Quality class 2 ≥ 5GΩ Quality class 3 ≥ 5GΩ
Clearance distance	contact–contact ≥ 1.0 mm contact–ground ≥ 1.2 mm	≥ 0.6 mm
Creepage distance	contact–contact ≥ 1.0 mm contact–ground ≥ 1.2 mm	≥ 0.6 mm
Test voltage v. r. m. s./NM	1000 V	1000 V
Working voltage/Insulation group* * nach SEV 50 V – acc. to SEV 50 V	125 V ≈	60 V ≈
Working current 20° C	5 A max.	25 A max.
Operating temperature	- 55° C – + 125° C	- 55° C – + 125° C
Moulding material	Polyester GF UL 94 V-O	PA 6.6 GF 25 UL 94 V-O
Contact material	Copper alloy	Copper alloy
Contact finish	hard-gold-plated over nickel	hard-gold-plated over nickel
Shell	Sheet steel, zinc lined and yellow chromate Sheet steel, nickel underneath and tin-plated	Sheet steel, nickel underneath and tin-plated
Insertion and withdrawal forces	9-polig/way 30 N 15-polig/way 50 N 25-polig/way 83 N 37-polig/way 123 N 50-polig/way 167 N	15-polig/way 50 N 26-polig/way 84 N 44-polig/way 120 N 62-polig/way 170 N 78-polig/way 200 N
Quality classes	Quality class 1 Quality class 2 Quality class 3	500 mating cycles 200 mating cycles 50 mating cycles

## X-ON Electronics

Largest Supplier of Electrical and Electronic Components

*Click to view similar products for [D-Sub Standard Connectors](#) category:*

*Click to view products by [CONEC](#) manufacturer:*

Other Similar products are found below :

[DCM37S732N](#) [DAM15P500](#) [DEV09S364GTLF](#) [DEM09P032N](#) [DDM50P732N](#) [DAM15S332N](#) [173109-2218](#) [173109-2466](#) [173109-2436](#)  
[173109-2435](#) [56F706-005-LI](#) [56F711-015](#) [015-0341-000](#) [015-0372-008](#) [015-8544-011](#) [017041-0005](#) [020419-0104](#) [012-0515-000](#) [012-9507-](#)  
[034](#) [012-9507-114](#) [012-9534-001](#) [020745-0008](#) [609-25P](#) [M24308/2-23Z](#) [M243082310F](#) [M243082410F](#) [M243082411F](#) [M24308/4-21](#)  
[CT1A18-11PSA206](#) [CT1N36-5SC](#) [CT2-16S-17PS](#) [CT2-20-15PCAU](#) [CT2-24-12PS](#) [CT2-24-28PSF127A206](#) [CT2-32-9PC](#) [CT6F9767-14-4-](#)  
[14S-5PC](#) [CT6FA10SL-4PS](#) [CT7-18-10SC](#) [CT7-18-10SCAU](#) [CT7-18-12SCAU](#) [CT7-18-1PC](#) [CT7-18-1PCAU](#) [CT7-18-21SCAU](#) [M83513/01-](#)  
[FC](#) [M83723/76W24619 L/C](#) [M85049/48-3-2F](#) [69001-865](#) [6STD09PCM99B70X](#) [6STD09SCM99B30X](#) [6STD09SCT99S40X](#)