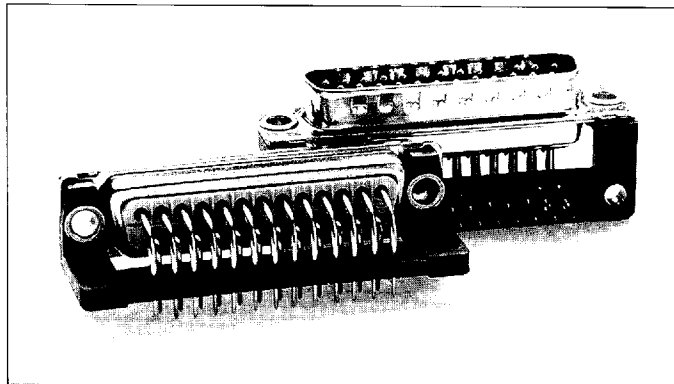


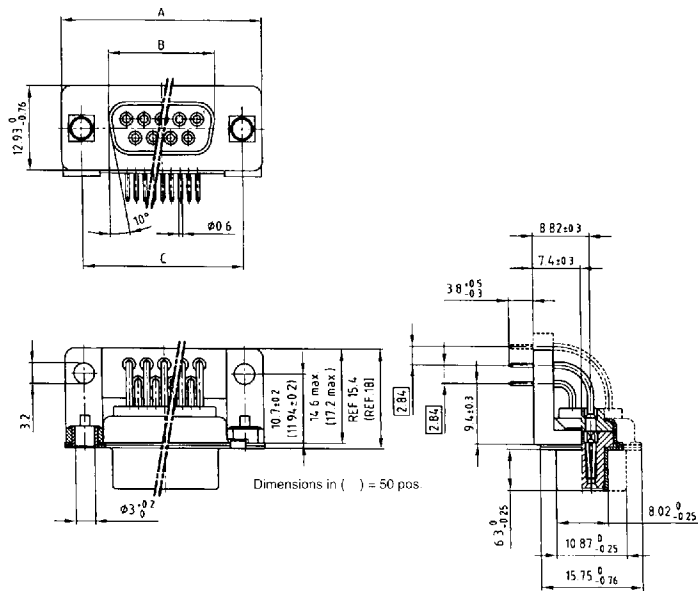
# D-Subminiature connectors



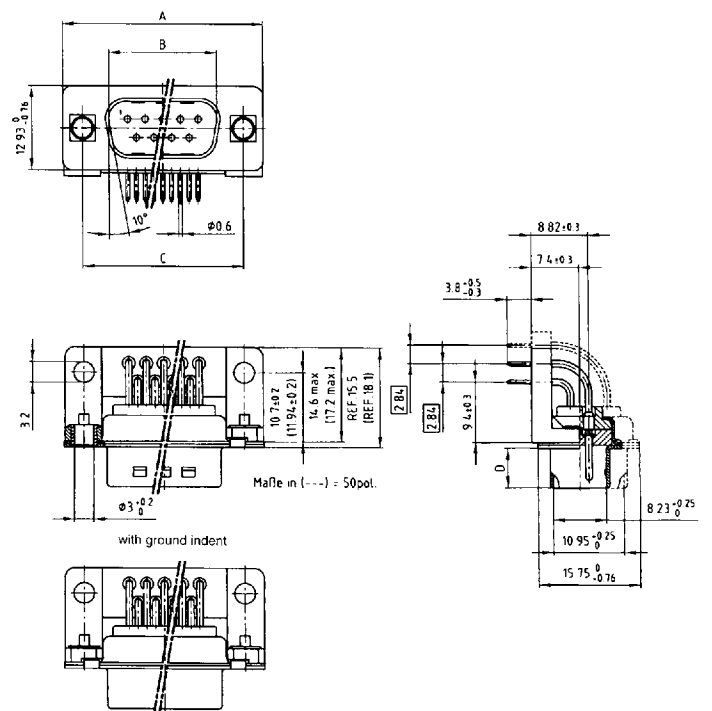
•370 inch

Solder pin angled with riveted mounting bracket

Socket connector



Plug connector



Kat 1 i H8A

| No. of pos. | A -0.76 | B -0.25 | C   |
|-------------|---------|---------|---|
| 9           | 31,19   | 16,46   | 25,00 <sup>+0.12</sup> / <sub>-0.15</sub> |
| 15          | 39,52   | 24,79   | 33,30 <sup>+0.15</sup> / <sub>-0.10</sub> |
| 25          | 53,42   | 38,50   | 47,04 <sup>+0.13</sup> / <sub>-0.13</sub> |
| 37          | 69,70   | 54,96   | 63,50 <sup>+0.13</sup> / <sub>-0.13</sub> |
| 50          | 67,31   | 52,55   | 61,10 <sup>+0.14</sup> / <sub>-0.11</sub> |

Kat 1 i H9A without ground indent

| No. of pos. | A -0.76 | B +0.25 | C   | D -0.30 |
|-------------|---------|---------|---|---------|
| 9           | 31,19   | 16,79   | 25,00 <sup>+0.12</sup> / <sub>-0.15</sub> | 6,12    |
| 15          | 39,52   | 25,12   | 33,30 <sup>+0.15</sup> / <sub>-0.10</sub> | 6,12    |
| 25          | 53,42   | 38,84   | 47,04 <sup>+0.13</sup> / <sub>-0.13</sub> | 5,99    |
| 37          | 69,70   | 55,30   | 63,50 <sup>+0.13</sup> / <sub>-0.13</sub> | 5,99    |
| 50          | 67,31   | 52,68   | 61,10 <sup>+0.14</sup> / <sub>-0.11</sub> | 5,99    |

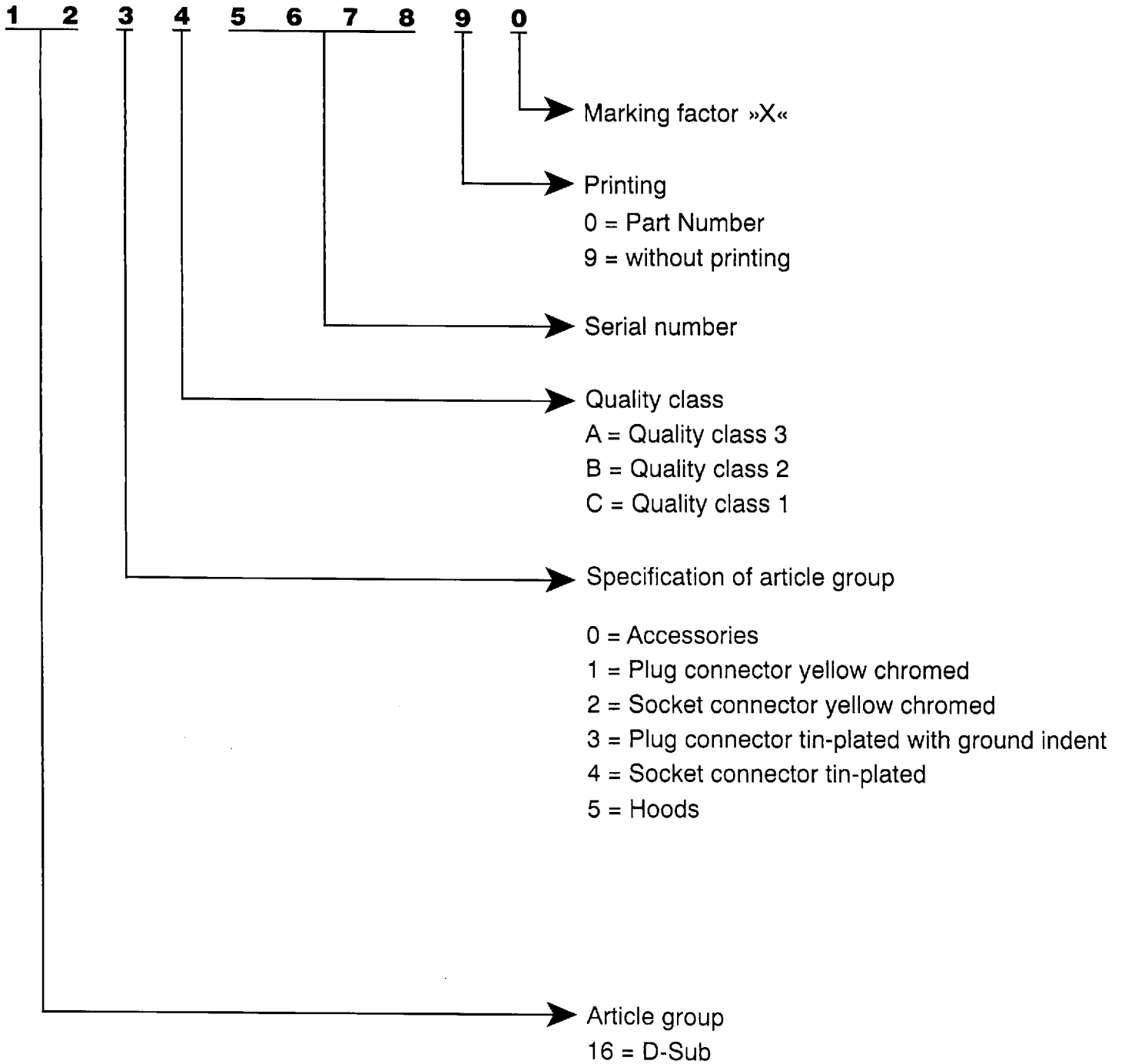
## Part numbers

| No. of Pos. | Socket connector – solder pin angled |                                 |
|-------------|--------------------------------------|---------------------------------|
|             | yellow zinc                          | tin-plated                      |
| 9           | CDF 09 ABZKN<br>162 A 10669 X        | CDF 09 ABZKNSN<br>164 A 10669 X |
| 15          | CDF 15 ABZKN<br>162 A 10679 X        | CDF 15 ABZKNSN<br>164 A 10679 X |
| 25          | CDF 25 ABZKN<br>162 A 10689 X        | CDF 25 ABZKNSN<br>164 A 10689 X |
| 37          | CDF 37 ABZKN<br>162 A 10699 X        | CDF 37 ABZKNSN<br>164 A 10699 X |
| 50          | CDF 50 ABZKN<br>162 A 10709 X        | CDF 50 ABZKNSN<br>164 A 10709 X |

| No. of Pos. | Plug connector – solder pin angled |                                  |
|-------------|------------------------------------|----------------------------------|
|             | yellow zinc without ground indent  | tin-plated with ground indent    |
| 9           | CDS 09 ABZKN<br>161 A 10669 X      | CDS 09 AFBZKNSN<br>163 A 11719 X |
| 15          | CDS 15 ABZKN<br>161 A 110679 X     | CDS 15 AFBZKNSN<br>163 A 11729 X |
| 25          | CDS 25 ABZKN<br>161 A 10689 X      | CDS 25 AFBZKNSN<br>163 A 11739 X |
| 37          | CDS 37 ABZKN<br>161 A 10699 X      | CDS 37 AFBZKNSN<br>163 A 11749 X |
| 50          | CDS 50 ABZKN<br>161 A 10709 X      | CDS 50 AFBZKNSN<br>163 A 11759 X |

9017935 0000085 821

### Part Number



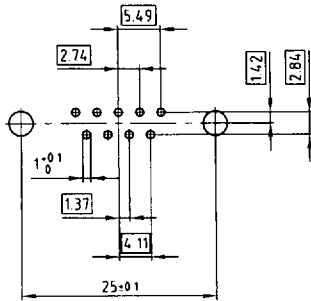
### Order example

| Plug connector Solder bucket 25 pos. without printing |             |               |
|---|-------------|---------------|
| Quality class   | Part Number |               |
| 3   | CDS 25 L    | 161 A 10039 X |
| 2   | CDS 25 L    | 161 B 10039 X |
| 1   | CDS 25 L    | 161 C 10039 X |

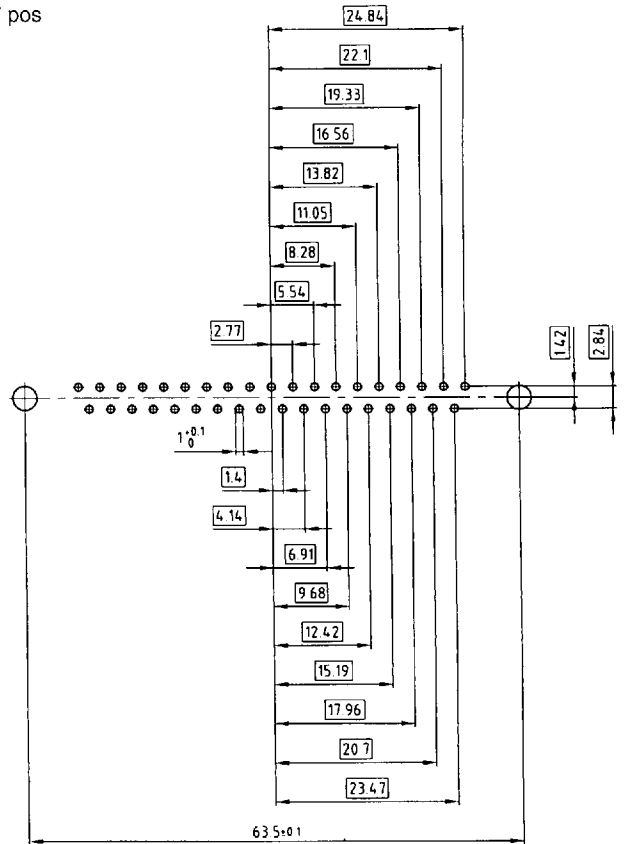
9017935 0000071 237

### Hole pattern for straight and angled solder pins D-Sub standard

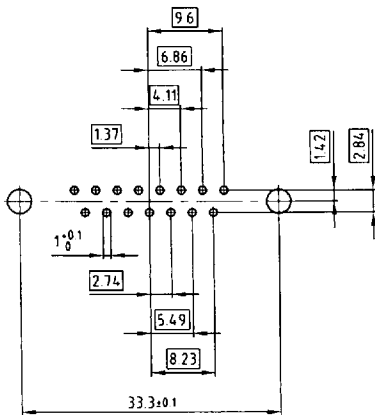
9 pos



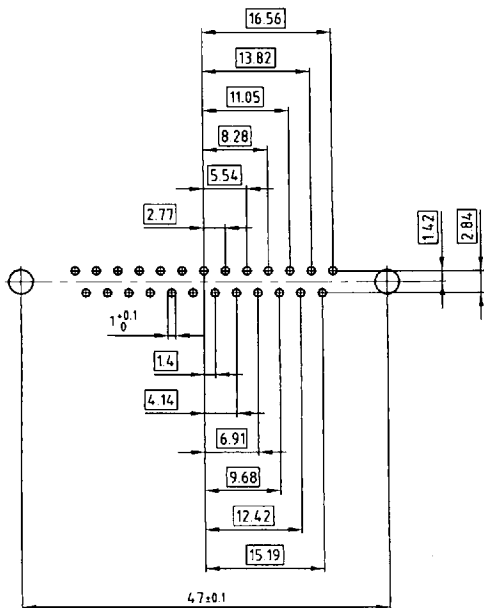
37 pos



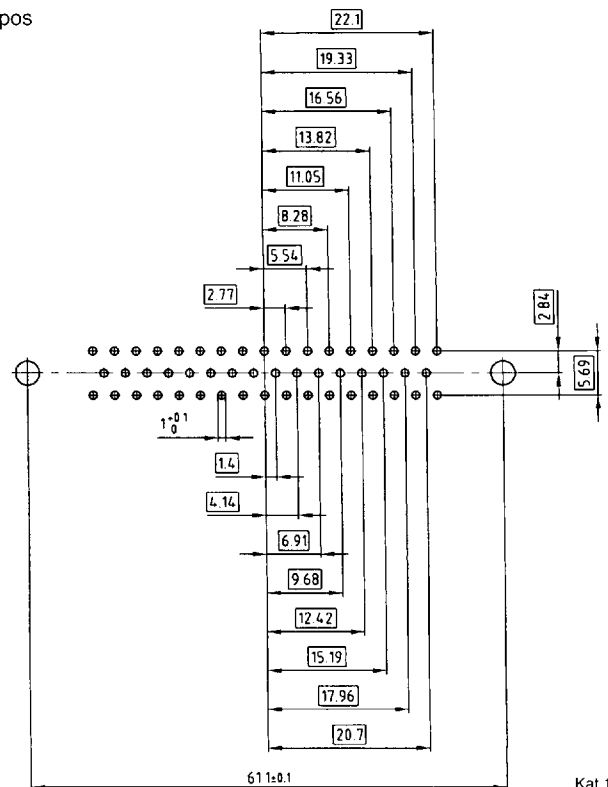
15 pos



25 pos



50 pos



Kat 1 i U3A

Kat 1 i U4A

| Technical Data  | D-Sub Standard   | D-Sub High Density   |
|---|--|--|
| Initial contact resistance  | ≤ 10 mΩ  | ≤ 10 mΩ  |
| Initial insulation resistance   | Quality class 1 ≥ 5GΩ<br>Quality class 2 ≥ 5GΩ<br>Quality class 3 ≥ 5GΩ                                | Quality class 1 ≥ 5GΩ<br>Quality class 2 ≥ 5GΩ<br>Quality class 3 ≥ 5GΩ                                  |
| Clearance distance  | contact–contact ≥ 1.0 mm<br>contact–ground ≥ 1.2 mm  | ≥ 0.6 mm   |
| Creepage distance   | contact–contact ≥ 1.0 mm<br>contact–ground ≥ 1.2 mm  | ≥ 0.6 mm   |
| Test voltage v. r. m. s./NM   | 1000 V   | 1000 V   |
| Working voltage/Insulation group*<br>* nach SEV 50 V – acc. to SEV 50 V | 125 V ≈  | 60 V ≈   |
| Working current 20° C   | 5 A max.   | 25 A max.  |
| Operating temperature   | - 55° C – + 125° C   | - 55° C – + 125° C   |
| Moulding material   | Polyester GF UL 94 V-O   | PA 6.6 GF 25 UL 94 V-O   |
| Contact material  | Copper alloy   | Copper alloy   |
| Contact finish  | hard-gold-plated over nickel   | hard-gold-plated over nickel   |
| Shell   | Sheet steel, zinc lined and yellow chromate<br>Sheet steel, nickel underneath and tin-plated           | Sheet steel, nickel underneath and tin-plated  |
| Insertion and withdrawal froces   | 9-polig/way 30 N<br>15-polig/way 50 N<br>25-polig/way 83 N<br>37-polig/way 123 N<br>50-polig/way 167 N | 15-polig/way 50 N<br>26-polig/way 84 N<br>44-polig/way 120 N<br>62-polig/way 170 N<br>78-polig/way 200 N |
| Quality classes   | Quality class 1<br>Quality class 2<br>Quality class 3  | 500 mating cycles<br>200 mating cycles<br>50 mating cycles   |

## X-ON Electronics

Largest Supplier of Electrical and Electronic Components

*Click to view similar products for [D-Sub Standard Connectors](#) category:*

*Click to view products by [CONEC](#) manufacturer:*

Other Similar products are found below :

[56F711-015](#) [012-9507-004](#) [LV242999-142T12](#) [015-0341-000](#) [015-0349-000](#) [015-0372-005](#) [015-0372-008](#) [015-8755-001](#) [020419-0104](#) [012-0467-000](#) [012-0515-000](#) [012-9507-034](#) [012-9507-114](#) [020745-0008](#) [609-25P](#) [CT2-14S-2PCA34](#) [CT2-18-11PCAU](#) [CT2-36-15SC](#) [CT6-14S-2SC](#) [CT6E14SA7SC](#) [CT6E22-14PC](#) [CT6E22-14PS](#) [CT6E22-22PS](#) [M83513/01-FC](#) [M85049/48-3-2F](#) [6STD09PCM99B70X](#) [6STD09SCM99B30X](#) [6STD09SCT99S40X](#) [6STD15PCT99S40X](#) [6STD15SCM99B30X](#) [6STD15SCT99S40X](#) [6STF09PCM05B70X](#) [7-135760-9](#) [MC11E-10-6SN](#) [747552-3](#) [MD1-21PS](#) [MDM-15SCBRM7-F222](#) [MDM96517-699](#) [MDM96521-744](#) [MDVB1-21SL1](#) [MIK0-1-7SH003](#) [MIKQ6-7SH076](#) [MIKQ7-7PH077](#) [MIKQ7-7PH11](#) [MIKQ7-7PH32](#) [MIKQ9-7PH003](#) [MJSV-28SL61](#) [MKJ4A1F14-55S](#) [8-135760-3](#) [8STD09PCM99B30X](#)