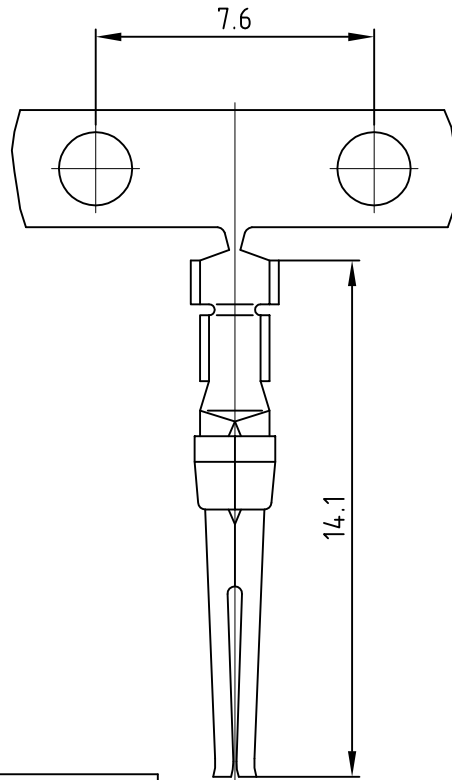
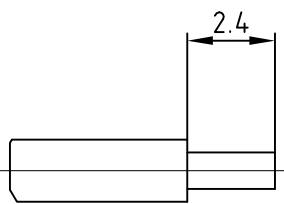


used for: D-SUB



PLATING / CONTACT AREA	PART-NO.
GOLD FLASH over NICKEL	162A11819X
20µin HARD GOLD over min. 50µin NICKEL	162B11819X

STRIPPING DIMENSIONS

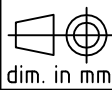



RoHS compliant

NOTES:

- Material: Phosphor Bronze
- Finish: See Table
- Temperature Range: -55°C to +125°C
- Rated Current: 7.5A
- Contact Resistance: <= 10mOhm
- Length of Reel - big reel wheeled left: 10000 contacts
- Crimping: Use Crimp Tool 360X10079X for loose contact

THIS DRAWING MAY NOT BE COPIED OR REPRODUCED IN ANY WAY, AND MAY NOT BE PASSED ON TO A THIRD PARTY WITHOUT WRITTEN PERMISSION.
 OWNERSHIP AND COPYRIGHT OF CONEC GmbH
 DO NOT ALTER CAD DRAWING BY HAND

finish: SEE TABLE		tolerance		 dim. in mm	
		2015	date	name	
		drawn	18.09.	Henneboel	
		appd.	18.09.	Lehmenkühler	
		norm			
		d-old			
a	Original				
rev.	description	date	name		

scale:	5:1	
material:	SEE NOTES	
title:	SOCKET CONTACT CRIMP AWG 24-20 (big reel wheeled left)	
dwg no:	AutoCAD	DIN-A
	16K1A3708	4
part no:	SEE TABLE	sh: 1/1

X-ON Electronics

Largest Supplier of Electrical and Electronic Components

Click to view similar products for [D-Sub Contacts](#) category:

Click to view products by [CONEC](#) manufacturer:

Other Similar products are found below :

[D02-22-26S-10000](#) [8656352067LF](#) [131A15029X](#) [132A11019X](#) [132J22039X](#) [132A11029X](#) [132A11049X](#) [1757912-1](#) [188582-000](#)
[162A11889X](#) [1757913-1](#) [212558-1](#) [030-1955-000](#) [053744-0098](#) [053744-0099](#) [053745-0105](#) [053745-0111](#) [601098N003](#) [86303057NLF](#)
[131A11019X](#) [162A11819X](#) [40-9854MP](#) [1-208778-5](#) [FC120N2](#) [MC7526D/AA](#) [MC8122D/AA](#) [FC4010D-15](#) [FC4006D](#) [121A05329A](#)
[164C16669X](#) [86566620064LF](#) [C330-8997-101H](#) [131A13019X](#) [DLS3XS5AK40X](#) [09692825723](#) [030-1954-000](#) [L17DM53744207](#)
[L17RRD1M11400](#) [030-1952-000](#) [1655496](#) [030-1953-000](#) [030-1953-030](#) [132C11039X](#) [132J15019X](#) [132C15019X](#) [132C11019X](#)
[131A10029X](#) [8638PSC2006LF](#) [8656453067LF](#) [86566520064LF](#)