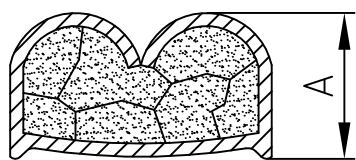
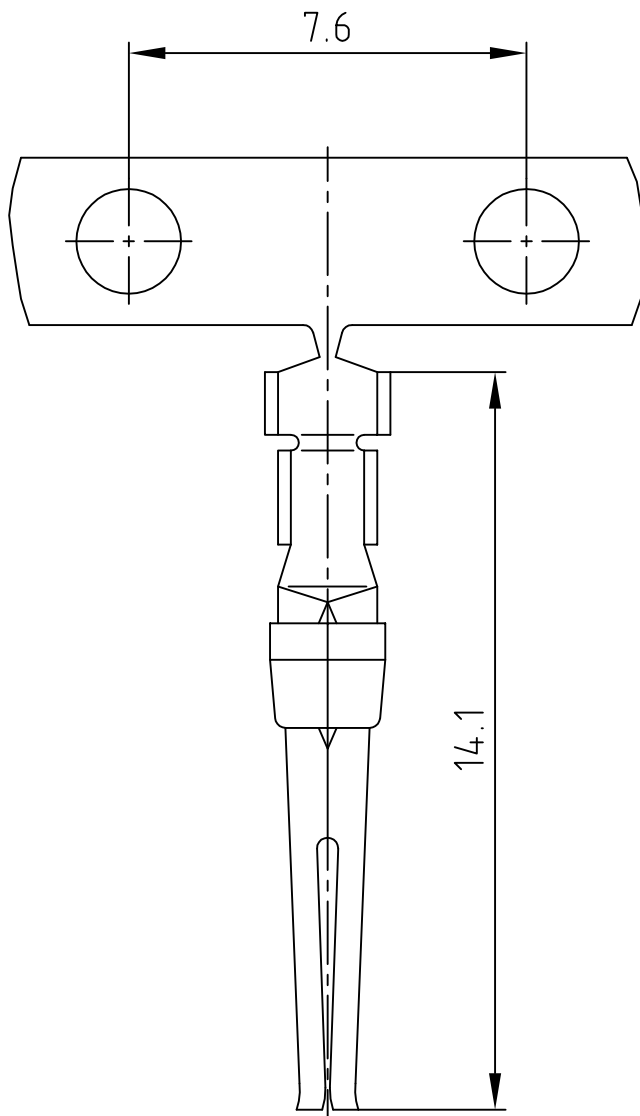


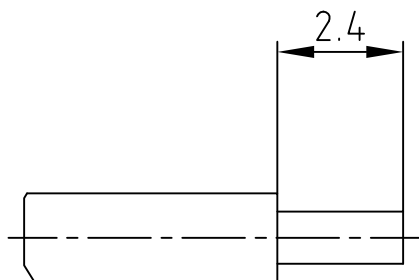
used for: D-SUB



Wire size AWG	Crimp height A
28	0,61 - 0,76
26	0,66 - 0,81
24	0,66 - 0,86



STRIPPING DIMENSIONS



NOTES:

- (b) Material: Phosphor Bronze
- Finish: Gold Flash over Nickel in the Contact Area
- Temperature Range: -55°C to +125°C
- Rated Current: 5.0A
- Contact Resistance: <= 10mOhm
- Length of Reel-small Reel Wheeled Right: 500 Contacts
- Crimping: Use Crimp Tool 360X10079X

Directive 2002/95/EC RoHS compliant

THIS DRAWING MAY NOT BE COPIED OR REPRODUCED IN ANY WAY, AND MAY NOT BE PASSED ON TO A THIRD PARTY WITHOUT WRITTEN PERMISSION.
 OWNERSHIP AND COPYRIGHT OF CONEC GmbH
 DO NOT ALTER CAD DRAWING BY HAND

finish:				tolerance			 dim. in mm	scale: 5:1		
								material: SEE NOTES		
				2010	date	name		title: SOCKET CONTACT CRIMP AWG 28-24 (small spool wheeled right)		
				drawn	03.12.	Henneboel				
				appd.	03.12.	Koch				
				norm						
				d-old						
1 x b	Ä 4116	26.09.2011	Lehmen.					dwg no: AutoCAD 2006		
a	Original							16K1A2747		DIN-A 4
rev.	description	date	name					part no: 162A11879X		sh: 1/1

4

3

2

1

F

F

E

E

D

D

C

C

B

B

A

A

X-ON Electronics

Largest Supplier of Electrical and Electronic Components

Click to view similar products for [D-Sub Contacts](#) category:

Click to view products by [CONEC](#) manufacturer:

Other Similar products are found below :

[D02-22-26S-10000](#) [8656352067LF](#) [131A15029X](#) [132A11019X](#) [132J22039X](#) [132A11029X](#) [132A11049X](#) [1757912-1](#) [188582-000](#)
[162A11889X](#) [1757913-1](#) [212558-1](#) [030-1955-000](#) [053744-0098](#) [053744-0099](#) [053745-0105](#) [053745-0111](#) [601098N003](#) [86303057NLF](#)
[131A11019X](#) [162A11819X](#) [40-9854MP](#) [1-208778-5](#) [FC120N2](#) [MC7526D/AA](#) [MC8122D/AA](#) [FC4010D-15](#) [FC4006D](#) [121A05329A](#)
[164C16669X](#) [86566620064LF](#) [C330-8997-101H](#) [131A13019X](#) [DLS3XS5AK40X](#) [09692825723](#) [030-1954-000](#) [L17DM53744207](#)
[L17RRD1M11400](#) [030-1952-000](#) [1655496](#) [030-1953-000](#) [030-1953-030](#) [132C11039X](#) [132J15019X](#) [132C15019X](#) [131A10029X](#)
[8638PSC2006LF](#) [8656453067LF](#) [86566520064LF](#) [L17DM537441](#)