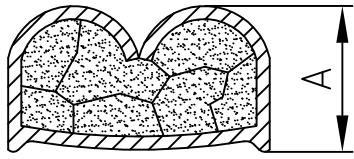
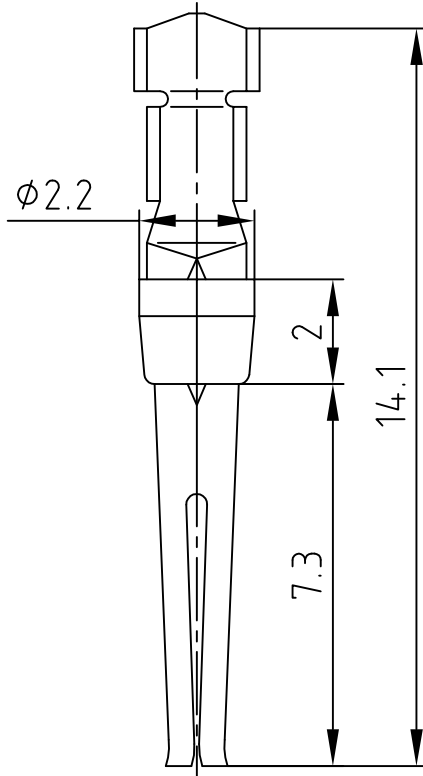


used for: D-SUB

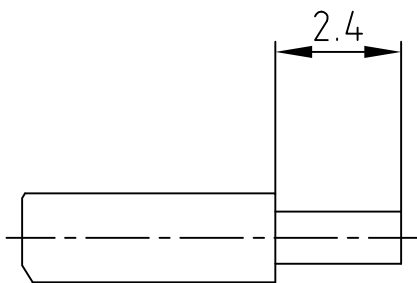


(b)

| Wire size<br>AWG | Crimp height<br>A |
|------------------|-------------------|
| 28               | 0,61 - 0,76       |
| 26               | 0,66 - 0,81       |
| 24               | 0,66 - 0,86       |



STRIPPING DIMENSIONS (b)



(b) TECHNICAL DATA:

Material Stamped Contacts: Phosphor Bronze  
 Finish: Gold Flash over Nickel in the Contact Area  
 Temperature Range: -55°C to +125°C  
 Rated Current: 7.5A  
 Test Voltage: 1000V eff. at 50Hz  
 Contact Resistance: <= 10mOhm  
 Insulation Resistance: >= 5000MOhm  
 Crimping: Use Crimp Tool 360X10079X

Directive 2002/95/EC RoHS compliant

THIS DRAWING MAY NOT BE COPIED OR REPRODUCED IN ANY WAY, AND MAY NOT BE PASSED ON TO A THIRD PARTY WITHOUT WRITTEN PERMISSION.  
 OWNERSHIP AND COPYRIGHT OF CONEC GmbH  
 DO NOT ALTER CAD DRAWING BY HAND

|       |             |            |         | tolerance |        |                 |          | scale:    | 5:1 |            |                                      |              |
|-------|-------------|------------|---------|-----------|--------|-----------------|----------|-----------|-----|------------|--------------------------------------|--------------|
|       |             |            |         | 2002      | date   | name            |          | material: |     |            | SEE NOTES                            |              |
|       |             |            |         | drawn     | 22.02. | Parei           |          | title:    |     |            | SOCKET CONTACT<br>CRIMP<br>AWG 28-24 |              |
|       |             |            |         | appd.     | 22.02. | E. Mickenbecker |          | dwg no:   |     |            |                                      | AutoCAD 2006 |
|       |             |            |         | norm      |        |                 | part no: |           |     | 16K1A500   |                                      |              |
|       |             |            |         | d-old     |        |                 | part no: |           |     | 162A11889X |                                      |              |
| 3 x b | Ä 4116      | 27.09.2011 | Lehmen. |           |        |                 |          | DIN-A     |     |            | 4                                    |              |
| a     | Original    |            |         |           |        | sh: 1/1         |          |           |     |            |                                      |              |
| rev.  | description | date       | name    |           |        |                 |          |           |     |            |                                      |              |

4

3

2

1

## X-ON Electronics

Largest Supplier of Electrical and Electronic Components

*Click to view similar products for [D-Sub Contacts](#) category:*

*Click to view products by [CONEC](#) manufacturer:*

Other Similar products are found below :

[D02-22-26S-10000](#) [8656352067LF](#) [131A15029X](#) [132A11019X](#) [132J22039X](#) [132A11029X](#) [132A11049X](#) [1757912-1](#) [188582-000](#)  
[162A11889X](#) [1757913-1](#) [212558-1](#) [030-1955-000](#) [053744-0098](#) [053744-0099](#) [053745-0105](#) [053745-0111](#) [601098N003](#) [86303057NLF](#)  
[131A11019X](#) [162A11819X](#) [40-9854MP](#) [1-208778-5](#) [FC120N2](#) [MC7526D/AA](#) [MC8122D/AA](#) [FC4010D-15](#) [FC4006D](#) [121A05329A](#)  
[164C16669X](#) [86566620064LF](#) [C330-8997-101H](#) [131A13019X](#) [DLS3XS5AK40X](#) [09692825723](#) [030-1954-000](#) [L17DM53744207](#)  
[L17RRD1M11400](#) [030-1952-000](#) [1655496](#) [030-1953-000](#) [030-1953-030](#) [132C11039X](#) [132J15019X](#) [132C15019X](#) [131A10029X](#)  
[8638PSC2006LF](#) [8656453067LF](#) [86566520064LF](#) [L17DM537441](#)