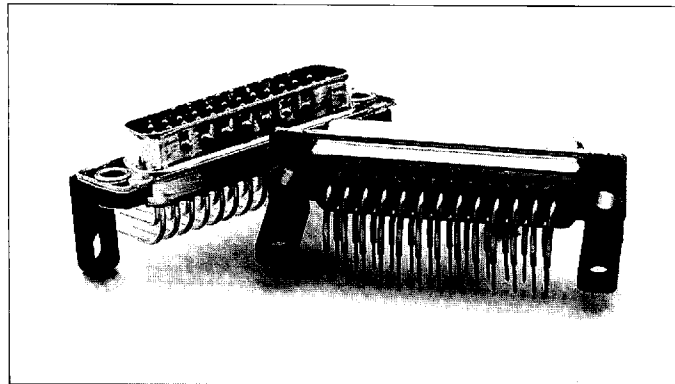


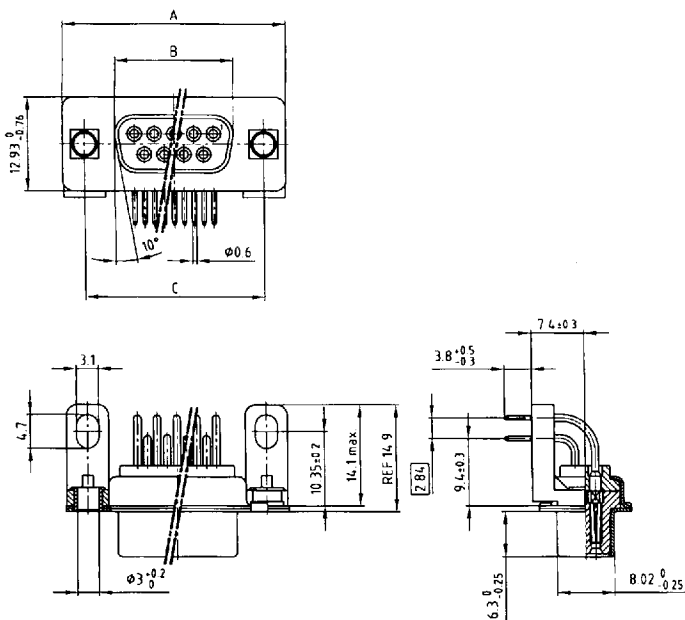
D-Subminiature connectors



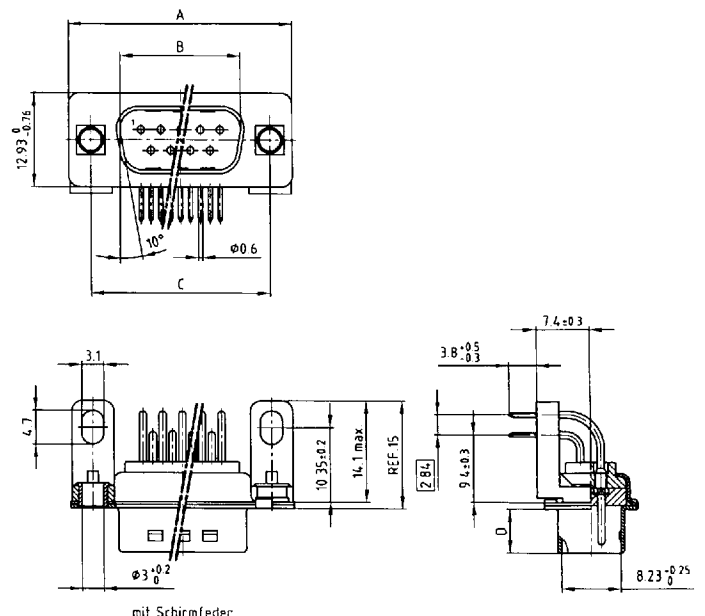
•370 inch

Solder pin angled with riveted mounting bracket

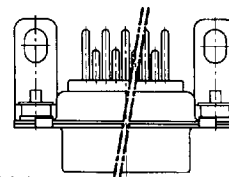
Socket connector



Plug connector



mit Schirmfeder



ohne Schirmfeder

Kat 1 i J4A

No. of pos.	A - 0,76	B - 0,25	C
9	31,19	16,46	25,00 $\begin{smallmatrix} +0,12 \\ -0,13 \end{smallmatrix}$
15	39,52	24,79	33,30 $\begin{smallmatrix} +0,12 \\ -0,13 \end{smallmatrix}$
25	53,42	38,50	47,04 $\begin{smallmatrix} +0,13 \\ -0,13 \end{smallmatrix}$
37	69,70	54,96	63,50 $\begin{smallmatrix} +0,13 \\ -0,13 \end{smallmatrix}$

Kat 1 i J5A

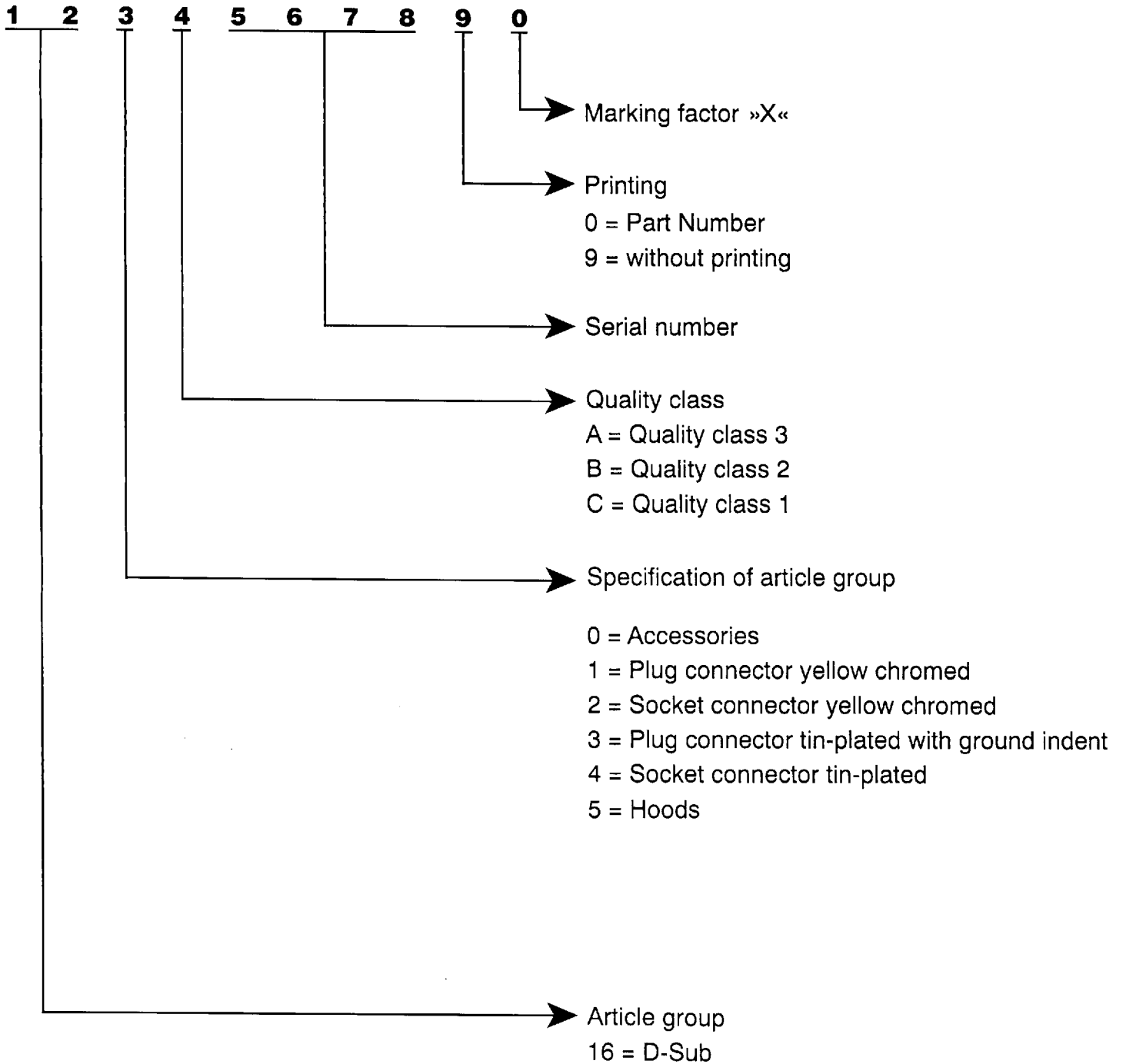
No. of pos.	A - 0,76	B + 0,25	C	D - 0,30
9	31,19	16,79	25,00 $\begin{smallmatrix} +0,12 \\ -0,13 \end{smallmatrix}$	6,12
15	39,52	25,12	33,30 $\begin{smallmatrix} +0,12 \\ -0,13 \end{smallmatrix}$	6,12
25	53,42	38,84	47,04 $\begin{smallmatrix} +0,13 \\ -0,13 \end{smallmatrix}$	5,99
37	69,70	55,30	63,50 $\begin{smallmatrix} +0,13 \\ -0,13 \end{smallmatrix}$	5,99

Part numbers

No. of Pos.	Socket connector – solder pin angled	
	yellow zinc	tin-plated
9	CDF 09 ABWKN 162 A 13049 X	CDF 09 ABWKNSN 164 A 13169 X
15	CDF 15 ABWKN 162 A 13059 X	CDF 15 ABWKNSN 164 A 13179 X
25	CDF 25 ABWKN 162 A 13069 X	CDF 25 ABWKNSN 164 A 13189 X
37	CDF 37 ABWKN 162 A 13079 X	CDF 37 ABWKNSN 164 A 13199 X

No. of Pos.	Plug connector – solder pin angled	
	yellow zinc without ground indent	tin-plated with ground indent
9	CDS 09 ABWKN 161 A 14459 X	CDS 09 AFBWKNSN 163 A 14689 X
15	CDS 15 ABWKN 161 A 14469 X	CDS 15 AFBWKNSN 163 A 14699 X
25	CDS 25 ABWKN 161 A 14479 X	CDS 25 AFBWKNSN 163 A 14709 X
37	CDS 37 ABWKN 161 A 14489 X	CDS 37 AFBWKNSN 163 A 14719 X

Part Number



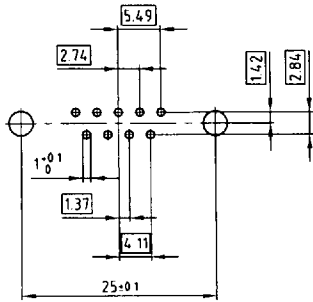
Order example

Plug connector Solder bucket 25 pos. without printing	
Quality class	Part Number
3	CDS 25 L 161 A 10039 X
2	CDS 25 L 161 B 10039 X
1	CDS 25 L 161 C 10039 X

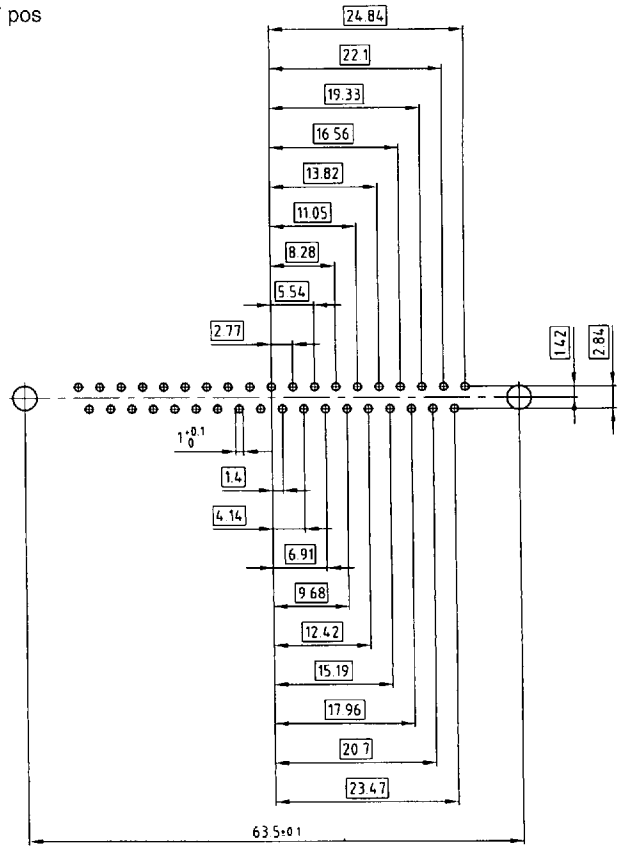
9017935 0000071 237

Hole pattern for straight and angled solder pins D-Sub standard

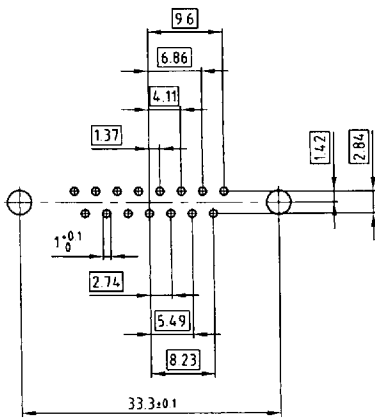
9 pos



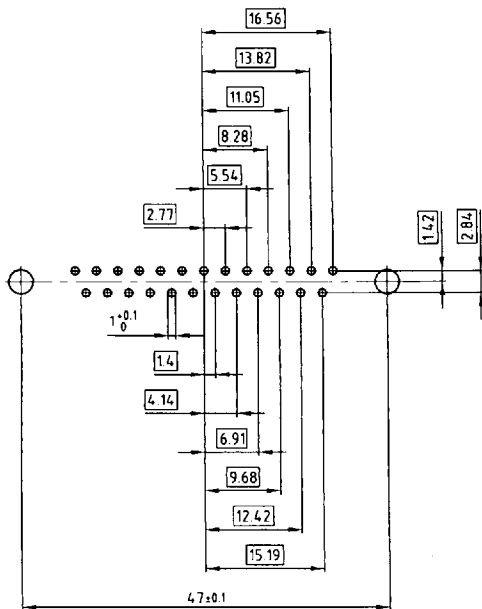
37 pos



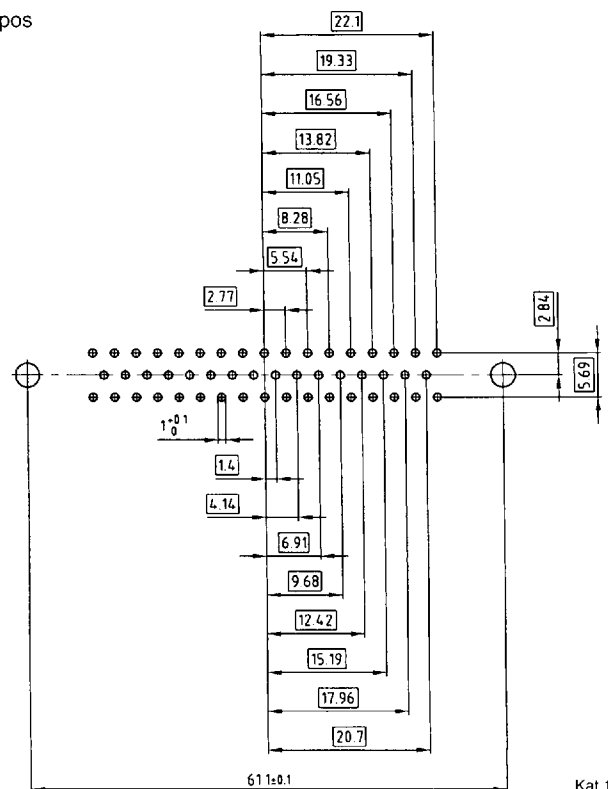
15 pos



25 pos



50 pos



Kat 1 i U3A

Kat 1 i U4A

Technical Data	D-Sub Standard	D-Sub High Density
Initial contact resistance	≤ 10 mΩ	≤ 10 mΩ
Initial insulation resistance	Quality class 1 ≥ 5GΩ Quality class 2 ≥ 5GΩ Quality class 3 ≥ 5GΩ	Quality class 1 ≥ 5GΩ Quality class 2 ≥ 5GΩ Quality class 3 ≥ 5GΩ
Clearance distance	contact–contact ≥ 1.0 mm contact–ground ≥ 1.2 mm	≥ 0.6 mm
Creepage distance	contact–contact ≥ 1.0 mm contact–ground ≥ 1.2 mm	≥ 0.6 mm
Test voltage v. r. m. s./NM	1000 V	1000 V
Working voltage/Insulation group* * nach SEV 50 V – acc. to SEV 50 V	125 V ≈	60 V ≈
Working current 20° C	5 A max.	25 A max.
Operating temperature	- 55° C – + 125° C	- 55° C – + 125° C
Moulding material	Polyester GF UL 94 V-O	PA 6.6 GF 25 UL 94 V-O
Contact material	Copper alloy	Copper alloy
Contact finish	hard-gold-plated over nickel	hard-gold-plated over nickel
Shell	Sheet steel, zinc lined and yellow chromate Sheet steel, nickel underneath and tin-plated	Sheet steel, nickel underneath and tin-plated
Insertion and withdrawal forces	9-polig/way 30 N 15-polig/way 50 N 25-polig/way 83 N 37-polig/way 123 N 50-polig/way 167 N	15-polig/way 50 N 26-polig/way 84 N 44-polig/way 120 N 62-polig/way 170 N 78-polig/way 200 N
Quality classes	Quality class 1 Quality class 2 Quality class 3	500 mating cycles 200 mating cycles 50 mating cycles

X-ON Electronics

Largest Supplier of Electrical and Electronic Components

Click to view similar products for [D-Sub Standard Connectors](#) category:

Click to view products by [CONEC](#) manufacturer:

Other Similar products are found below :

[56F711-015](#) [012-9507-004](#) [LV242999-142T12](#) [015-0341-000](#) [015-0349-000](#) [015-0372-005](#) [015-0372-008](#) [015-8755-001](#) [020419-0104](#) [012-0467-000](#) [012-0515-000](#) [012-9507-034](#) [012-9507-114](#) [020745-0008](#) [609-25P](#) [CT2-14S-2PCA34](#) [CT2-18-11PCAU](#) [CT2-36-15SC](#) [CT6-14S-2SC](#) [CT6E14SA7SC](#) [CT6E22-14PC](#) [CT6E22-14PS](#) [CT6E22-22PS](#) [M83513/01-FC](#) [M85049/48-3-2F](#) [6STD09PCM99B70X](#) [6STD09SCM99B30X](#) [6STD09SCT99S40X](#) [6STD15PCT99S40X](#) [6STD15SCM99B30X](#) [6STD15SCT99S40X](#) [6STF09PCM05B70X](#) [7-135760-9](#) [MC11E-10-6SN](#) [747552-3](#) [MD1-21PS](#) [MDM-15SCBRM7-F222](#) [MDM96517-699](#) [MDM96521-744](#) [MDVB1-21SL1](#) [MIK0-1-7SH003](#) [MIKQ6-7SH076](#) [MIKQ7-7PH077](#) [MIKQ7-7PH11](#) [MIKQ7-7PH32](#) [MIKQ9-7PH003](#) [MJSV-28SL61](#) [MKJ4A1F14-55S](#) [8-135760-3](#) [8STD09PCM99B30X](#)