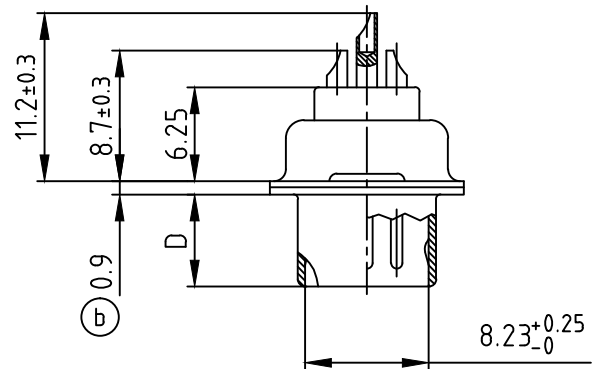
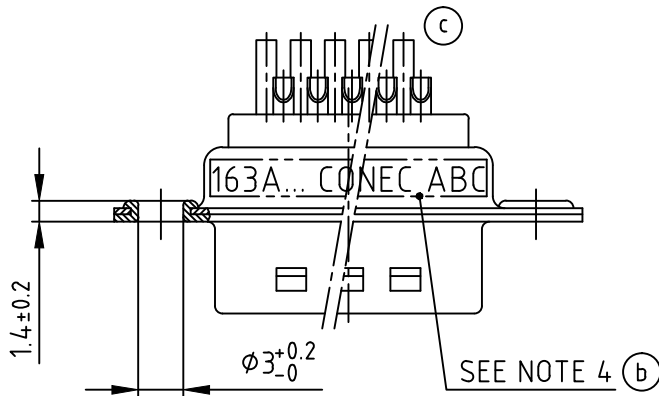
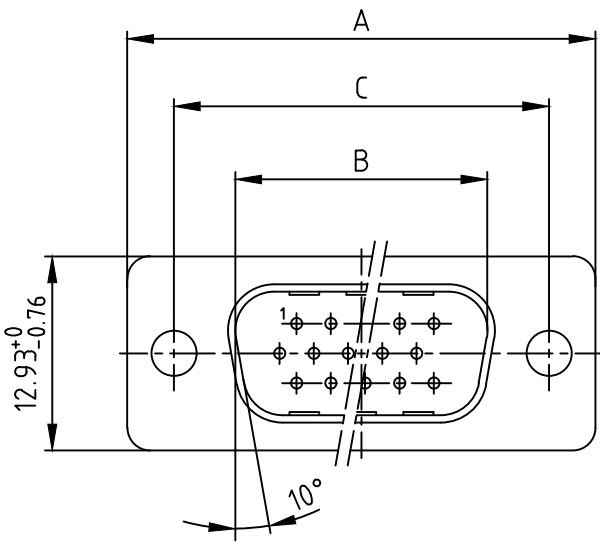


used for: D-SUB HD

Part-NO.	POS.	A <sup>-0.76</sup>	B <sup>+0.25</sup>	C	D <sup>-0.3</sup>
163A16599X	15	31.19	16.79	25.00 <sup>+0.12</sup> <sub>-0.13</sub>	6.12
163A16609X	26	39.52	25.12	33.30 <sup>+0.15</sup> <sub>-0.1</sub>	6.12
163A16619X	44	53.42	38.84	47.04 ±0.13	5.99
163A16629X	62	69.70	55.30	63.50 ±0.13	5.99



(c) (b) NOTES:

- METALSHELLS: STEEL; min. 315µin TIN over 40-80µin Nickel
- INSULATORS: PBT GF UL 94 V-0, BLACK
- CONTACTS: COPPER ALLOY  
PLATING: GOLD FLASH over NICKEL  
SOLDER CUP ACCEPTS CABLE AWG 22
- CONNECTOR IS PART MARKED: PART-NO. CONEC ABC

Directive 2002/95/EC RoHS compliant

THIS DRAWING MAY NOT BE COPIED OR REPRODUCED IN ANY WAY, AND MAY NOT BE PASSED ON TO A THIRD PARTY WITHOUT WRITTEN PERMISSION.  
 OWNERSHIP AND COPYRIGHT OF CONEC GmbH DO NOT ALTER CAD DRAWING BY HAND

CONEC CORPORATION BRAMPTON, ONTARIO			tolerance			scale: 2:1
						material: SEE NOTES
			2000	date	name	title: D-SUB HD MALE 15-62pos. SOLDER CUP
			drawn	03.07.	A. Mickenbecker	
			appd.	03.07.	E. Mickenbecker	
			norm			
			d-old			dwg no: AutoCAD 2000 16K1A019A
2 x c	Ä3179	06.11.2008	Sonne			
3 x b	Ä 2226	10.05.2005	Lehmen			DIN-A 4
rev.	description	date	name			sh: 1/1

part no: SEE TABLE	
--------------------	--

## X-ON Electronics

Largest Supplier of Electrical and Electronic Components

*Click to view similar products for [D-Sub High Density Connectors](#) category:*

*Click to view products by [CONEC](#) manufacturer:*

Other Similar products are found below :

[97-3250-11](#) [163A17089X](#) [164A17199X](#) [164C18629X](#) [L717HDB44POL2R210](#) [L717HDEH15POL2](#) [L777HDE15P](#) [L77HDE15SC309](#)  
[163A16759X](#) [163A16839X](#) [163A16989X](#) [163A17079X](#) [164A17329X](#) [164A18219X](#) [241A16440X](#) [241A16550X](#) [241A16680X](#)  
[241A20810X](#) [241A25740X](#) [CT25-44P](#) [MDBE15PE766](#) [L177HDE15SOL2RM23](#) [L177HRC62SVFM](#) [L177HRCG62S](#)  
[L717HDEG15POL2RM5](#) [L77HDA26SVF](#) [L77HDE15SD1CO](#) [L77HDEH15SOL2RM832](#) [DAMA-15S-WS](#) [443895-3](#) [106698-1](#) [280-](#)  
[012K2C](#) [DBMV13H3SNA197](#) [L177HRB44S](#) [164A17039X](#) [09562004701510](#) [L777HRC62P](#) [241A17960X](#) [164A18269X](#) [280-019S1S9MEN](#)  
[L777HDEG15P](#) [280-018P3S25MEGN](#) [206504-2](#) [40-9515HDSP](#) [2057140-1](#) [C115370-6002](#) [DFMA104SNMBFR172FR022](#) [HDC9F200E2S](#)  
[L717HDAG26POL2RM8](#) [241A28180X](#)