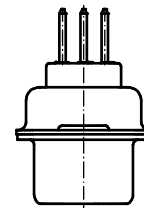
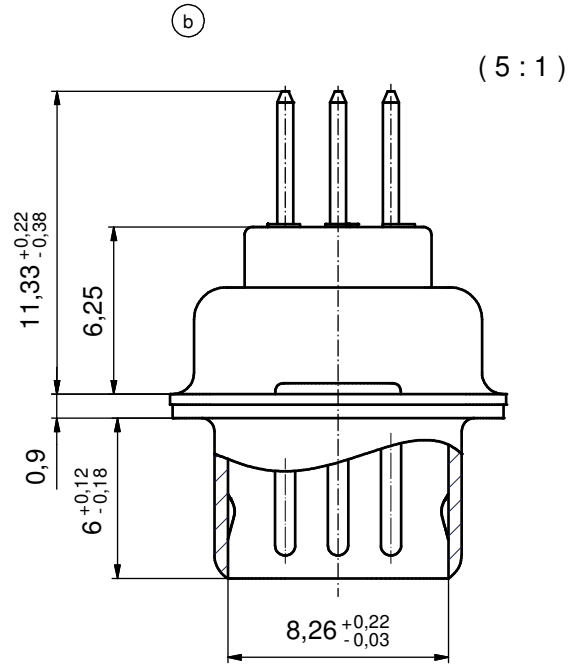
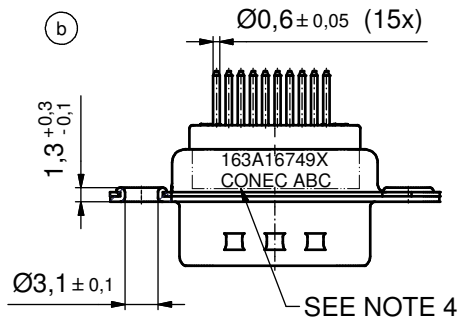
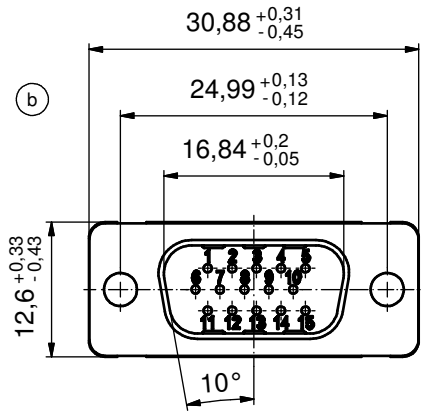
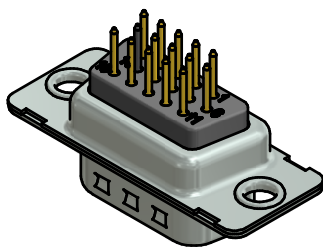


P.C.B. HOLE DRILLINGS
(P.C.B. TOP SIDE)



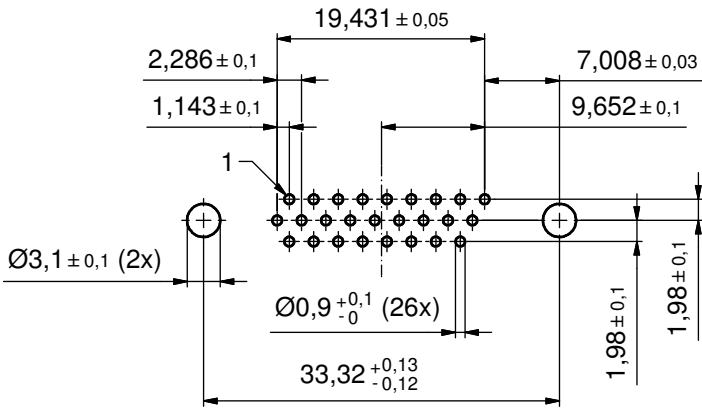
NOTES:

1. METALSHELLS: STEEL; min. 315µin TIN over 40-80µin NICKEL
2. INSULATORS: PBT GF UL 94 V-0; BLACK
3. CONTACTS: COPPER ALLOY
PLATING: GOLD FLASH over NICKEL
4. CONNECTOR IS PART MARKED: 163A16749X CONEC ABC

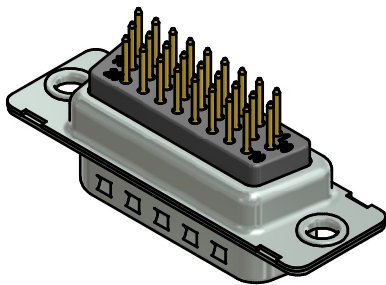
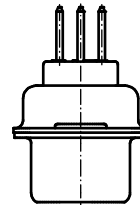
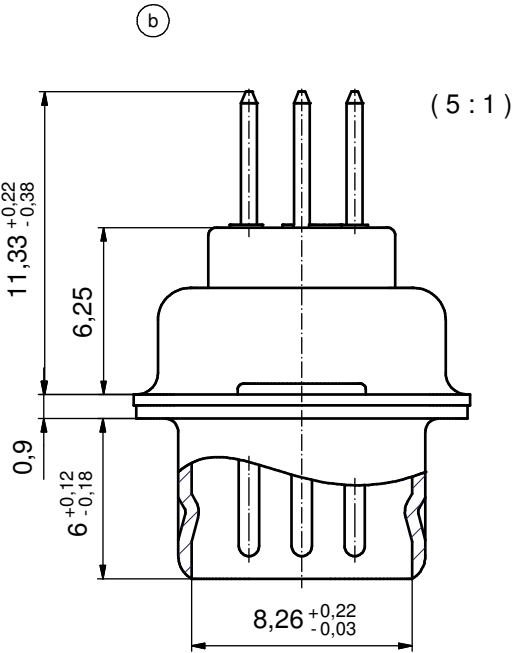
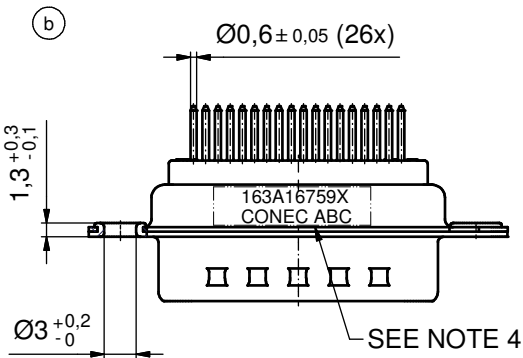
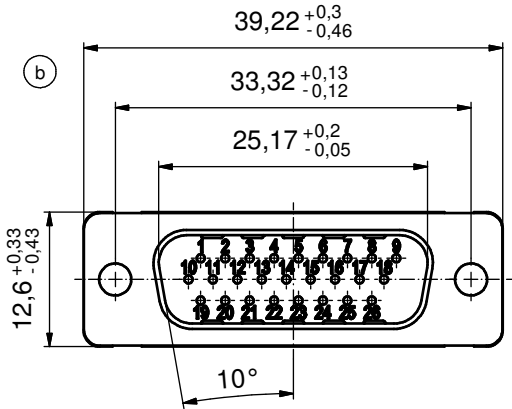


Directive 2002/95/EC RoHS compliant

THIS DRAWING MAY NOT BE COPIED OR REPRODUCED IN ANY WAY, AND MAY NOT BE PASSED ON TO A THIRD PARTY WITHOUT WRITTEN PERMISSION. OWNERSHIP AND COPYRIGHT OF CONEC GmbH DO NOT ALTER CAD DRAWING BY HAND	tolerance		dim. in mm		scale:	2:1 (5:1)			
					material:	SEE NOTES			
			date	name	title:				
			drawn	10.04.2002	Perei	D-SUB HD MALE 15pos. SOLDER PIN STRAIGHT			
			appd.	10.04.2002	Mickenbecker				
		norm			dwg no:		DIN-A3		
		d-old			16K1A542		sh: 1/6		
4 x b		A4102	14.09.2011	K.H.	part no:		163A16749X		
a		Original							
rev.	description	date	name						



P.C.B. HOLE DRILLINGS
(P.C.B. TOP SIDE)

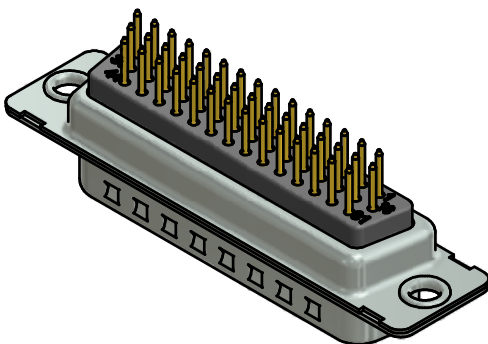
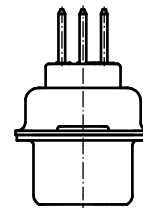
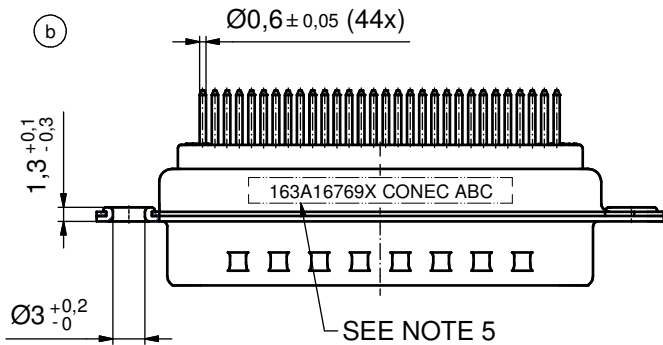
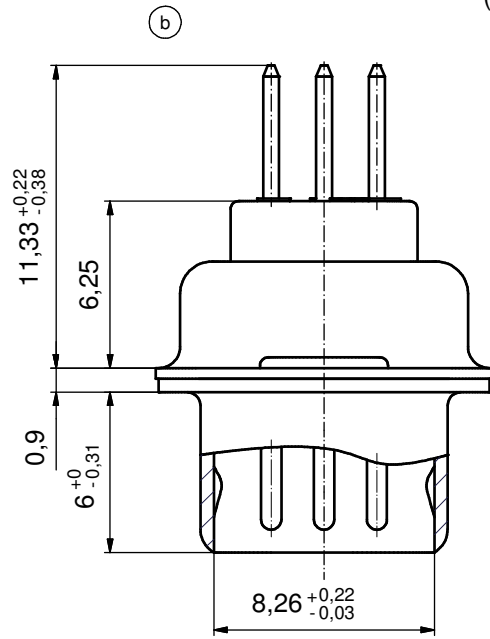
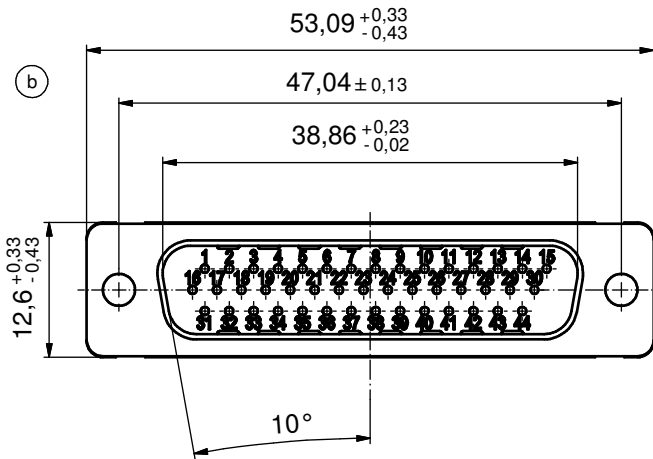


- (b) **NOTES:**
- METALSHELLS: STEEL; min. 315µin TIN over 40-80µin NICKEL
 - INSULATORS: PBT GF UL 94 V-0; BLACK
 - CONTACTS: COPPER ALLOY
PLATING: GOLD FLASH over NICKEL
 - CONNECTOR IS PART MARKED: 163A16759X CONEC ABC

Directive 2002/95/EC RoHS compliant

THIS DRAWING MAY NOT BE COPIED OR REPRODUCED IN ANY WAY, AND MAY NOT BE PASSED ON TO A THIRD PARTY WITHOUT WRITTEN PERMISSION. OWNERSHIP AND COPYRIGHT OF CONEC GmbH DO NOT ALTER CAD DRAWING BY HAND				tolerance		dim. in mm	scale: 2:1 (5:1)	
				date			material: SEE NOTES	
				name		title:		
				drawn 10.04.2002 Parei		D-SUB HD MALE 26pos. SOLDER PIN STRAIGHT		
appd. 10.04.2002 Mickenbecker								
norm		dwg no:						
d-old		16K1A542		DIN-A3				
4 x b	A4102	14.09.2011	K.H.	sh: 2/6				
a	Original			part no: 163A16759X				
rev.	description	date	name					

(5:1)



NOTES:

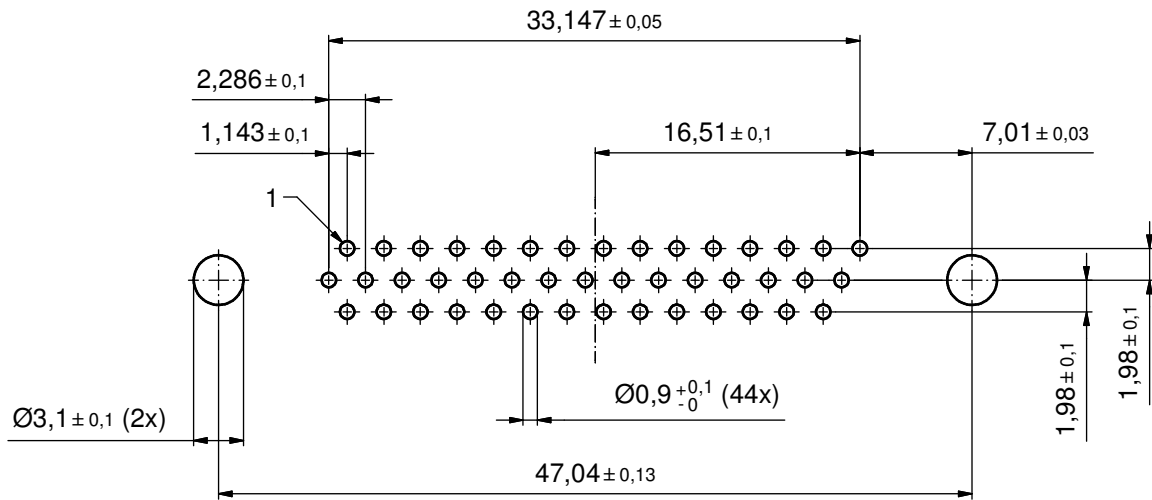
- METALSHELLS: STEEL; min. 315µm TIN over 40-80µm NICKEL
- INSULATORS: PBT GF UL 94 V-0; BLACK
- CONTACTS: COPPER ALLOY
PLATING: GOLD FLASH over NICKEL
- P.C.B. HOLE DRILLINGS ON SHEET 4
- CONNECTOR IS PART MARKED: **163A16769X CONEC**

Directive 2002/95/EC RoHS compliant

THIS DRAWING MAY NOT BE COPIED OR REPRODUCED IN ANY WAY, AND MAY NOT BE PASSED ON TO A THIRD PARTY WITHOUT WRITTEN PERMISSION. OWNERSHIP AND COPYRIGHT OF CONEC GmbH DO NOT ALTER CAD DRAWING BY HAND				tolerance		scale: 2:1 (5:1)
				date	name	material: SEE NOTES
				drawn	10.04.2002	Perei
				appd.	10.04.2002	Mickenbecker
				norm		
			d-old			
4 x b	A4102	14.09.2011	K.H.	title: D-SUB HD MALE 44pos. SOLDER PIN STRAIGHT		
a	Original					
rev.	description	date	name	CONEC		sh: 3/6
				part no: 163A16769X		

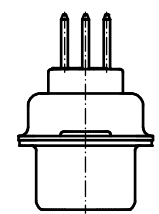
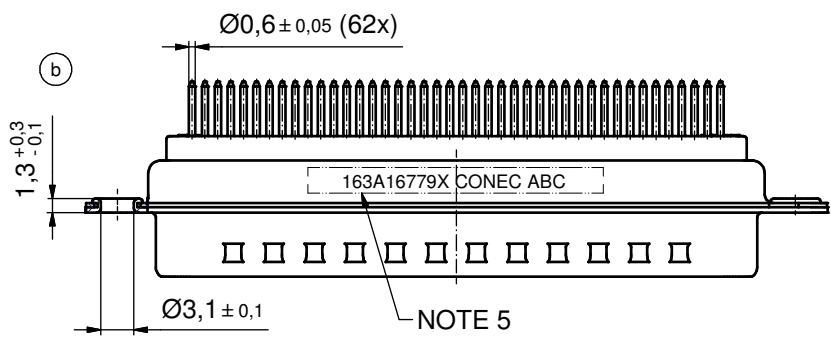
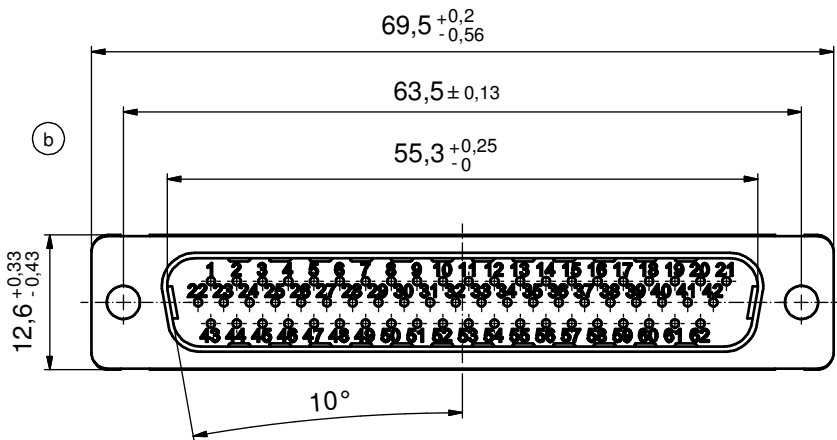
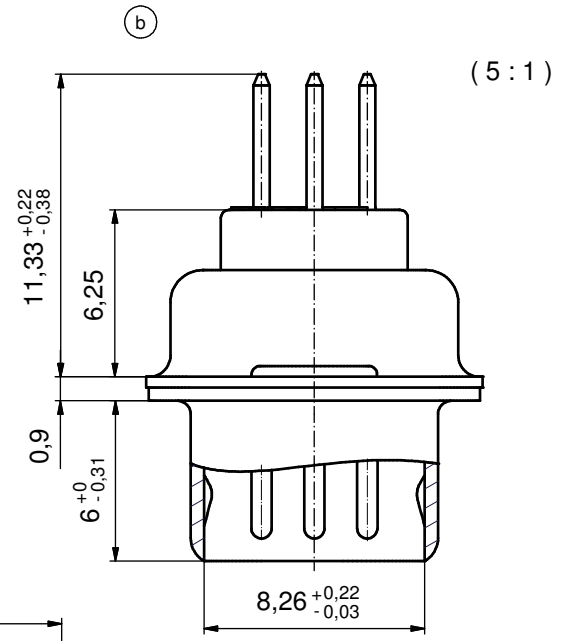
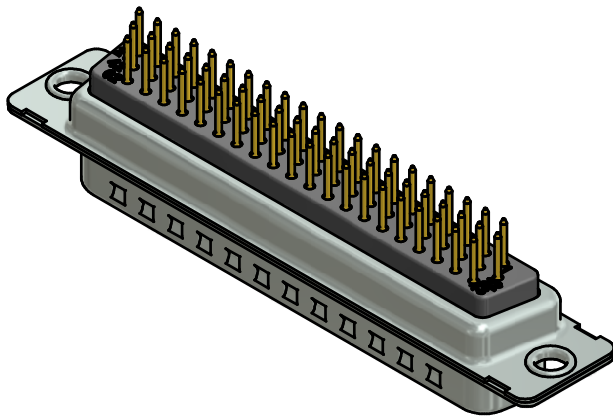
P.C.B. HOLE DRILLINGS

(P.C.B. TOP SIDE)



Directive 2002/95/EC RoHS compliant

THIS DRAWING MAY NOT BE COPIED OR REPRODUCED IN ANY WAY, AND MAY NOT BE PASSED ON TO A THIRD PARTY WITHOUT WRITTEN PERMISSION. OWNERSHIP AND COPYRIGHT OF CONEC GmbH DO NOT ALTER CAD DRAWING BY HAND					tolerance	 dim. in mm	scale: 2:1		
					date		name	material: SEE SHEET3	
					drawn	10.04.2002	Perei	title: P.C.B. HOLE DRILLINGS D-SUB HD MALE 44pos.	
					appd.	10.04.2002	Mickenbecker		
					norm				
					d-old			dwg no:	
	a	Original						16K1A542	DIN-A3
	rev.	description	date	name				part no: SEE SHEET3	sh: 4/6



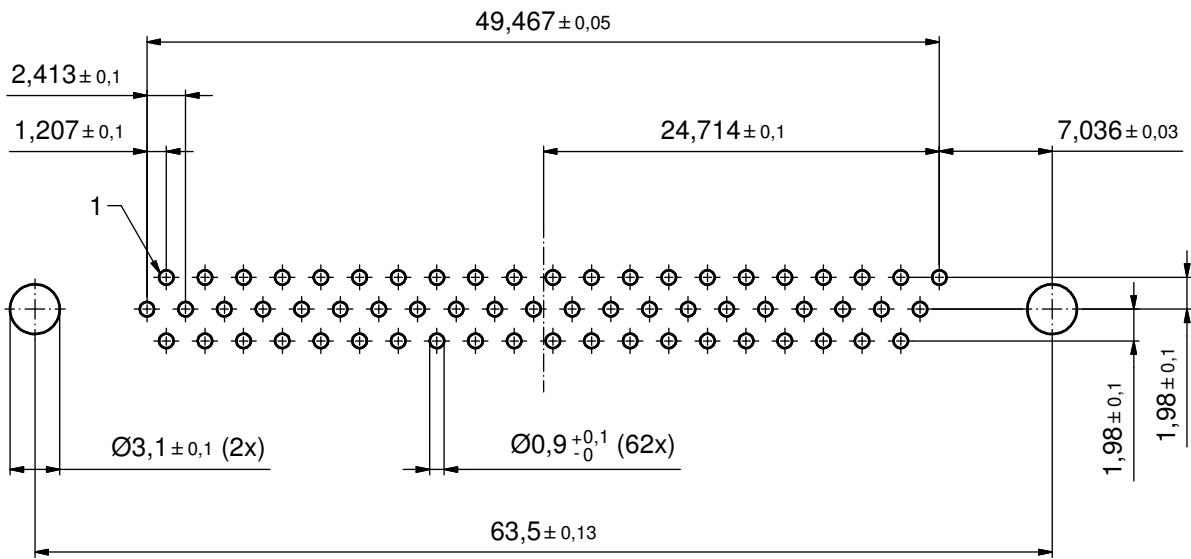
- NOTES:**
- METALSHIELDS: STEEL; min. 315µm TIN over 40-80µm NICKEL
 - INSULATORS: PBT GF UL 94 V-0; BLACK
 - CONTACTS: COPPER ALLOY
PLATING: GOLD FLASH over NICKEL
 - P.C.B. HOLE DRILLINGS ON SHEET 6
 - CONNECTOR IS PART MARKED: **163A16779X CONEC ABC**

Directive 2002/95/EC RoHS compliant

THIS DRAWING MAY NOT BE COPIED OR REPRODUCED IN ANY WAY, AND MAY NOT BE PASSED ON TO A THIRD PARTY WITHOUT WRITTEN PERMISSION. OWNERSHIP AND COPYRIGHT OF CONEC GmbH DO NOT ALTER CAD DRAWING BY HAND				tolerance	dim. in mm	scale:	2:1 (5:1)		
				date		name	material:	SEE NOTES	
				drawn	10.04.2002	Perei	title: D-SUB HD MALE 62pos. SOLDER PIN STRAIGHT		
				appd.	10.04.2002	Mickenbecker			
				norm					
			d-old			dwg no:	DIN-A3		
4 x b	A4102	14.09.2011	K.H.			16K1A542		sh: 5/6	
a	Original					part no:			163A16779X
rev.	description	date	name						

P.C.B. HOLE DRILLINGS

(P.C.B. TOP SIDE)



Directive 2002/95/EC RoHS compliant

THIS DRAWING MAY NOT BE COPIED OR REPRODUCED IN ANY WAY, AND MAY NOT BE PASSED ON TO A THIRD PARTY WITHOUT WRITTEN PERMISSION. OWNERSHIP AND COPYRIGHT OF CONEC GmbH DO NOT ALTER CAD DRAWING BY HAND					tolerance		scale: 2:1
					date	name	material: SEE SHEET 5
					drawn	10.04.2002	Perei
					appd.	10.04.2002	Mickenbecker
					norm		
					d-old		
				rev.	a	Original	title: P.C.B. HOLE DRILLINGS D-SUB HD Male 62pos.
				description			dwg no: 16K1A542
				date			DIN-A3
				name			sh: 6/6
				CONEC [®]			part no: SEE SHEET 5

X-ON Electronics

Largest Supplier of Electrical and Electronic Components

Click to view similar products for [D-Sub High Density Connectors](#) category:

Click to view products by [CONEC](#) manufacturer:

Other Similar products are found below :

[97-3250-11](#) [163A17089X](#) [164A17199X](#) [164C18629X](#) [L717HDB44POL2R210](#) [L717HDEH15POL2](#) [L777HDE15P](#) [L77HDE15SC309](#)
[163A16759X](#) [163A16839X](#) [163A16989X](#) [163A17079X](#) [164A17329X](#) [164A18219X](#) [241A16440X](#) [241A16550X](#) [241A16680X](#)
[241A20810X](#) [241A25740X](#) [CT25-44P](#) [MDBE15PE766](#) [L177HDE15SOL2RM23](#) [L177HRC62SVFM](#) [L177HRCG62S](#)
[L717HDEG15POL2RM5](#) [L77HDA26SVF](#) [L77HDE15SD1CO](#) [L77HDEH15SOL2RM832](#) [DAMA-15S-WS](#) [443895-3](#) [106698-1](#) [280-](#)
[012K2C](#) [DBMV13H3SNA197](#) [L177HRB44S](#) [164A17039X](#) [09562004701510](#) [L777HRC62P](#) [241A17960X](#) [164A18269X](#) [280-019S1S9MEN](#)
[L777HDEG15P](#) [280-018P3S25MEGN](#) [206504-2](#) [40-9515HDSP](#) [2057140-1](#) [C115370-6002](#) [DFMA104SNMBFR172FR022](#) [HDC9F200E2S](#)
[L717HDAG26POL2RM8](#) [241A28180X](#)