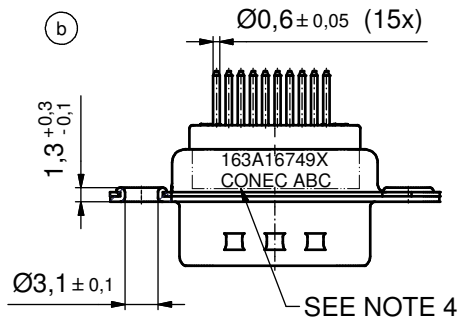
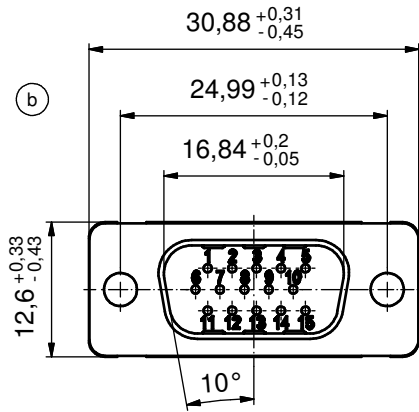
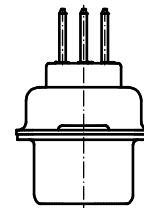
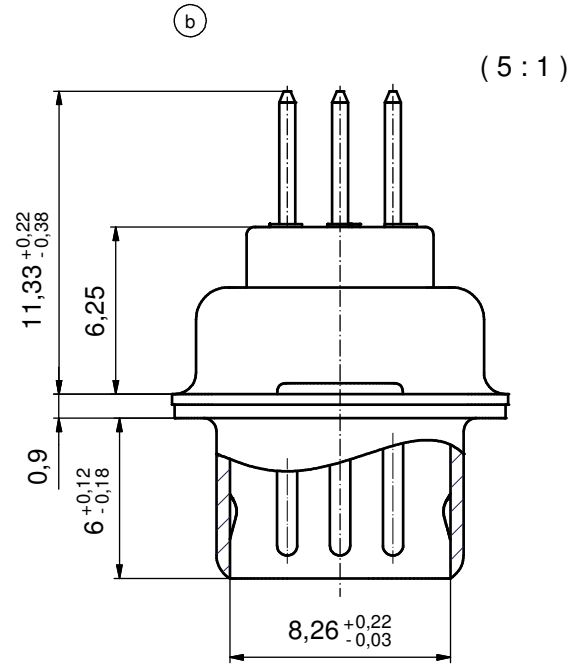


P.C.B. HOLE DRILLINGS
(P.C.B. TOP SIDE)

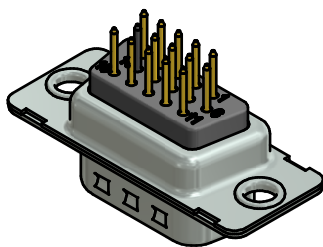


SEE NOTE 4



NOTES:

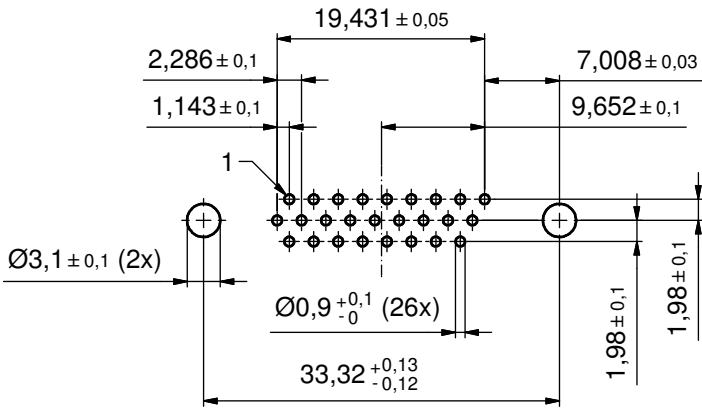
1. METALSHELLS: STEEL; min. 315µin TIN over 40-80µin NICKEL
2. INSULATORS: PBT GF UL 94 V-0; BLACK
3. CONTACTS: COPPER ALLOY
PLATING: GOLD FLASH over NICKEL
4. CONNECTOR IS PART MARKED: **163A16749X CONEC ABC**



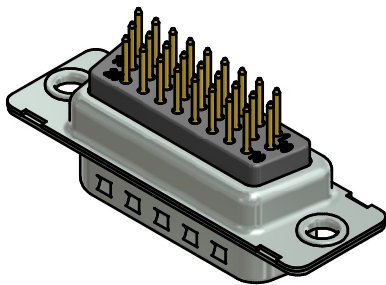
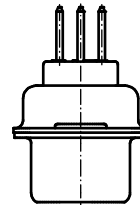
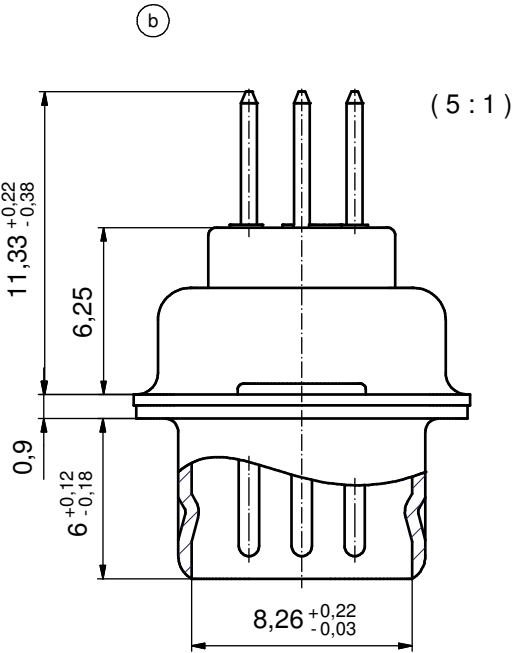
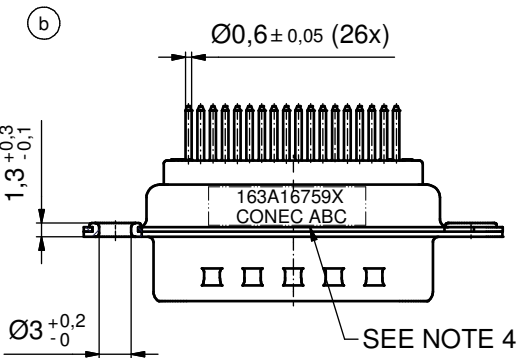
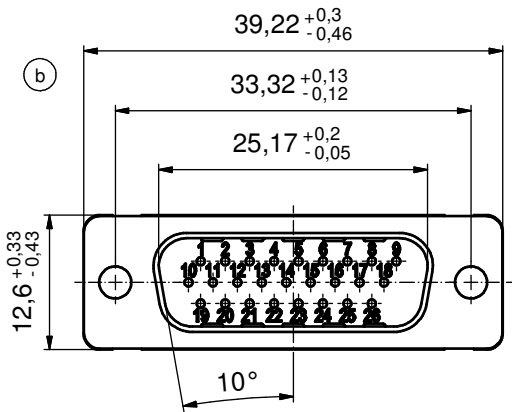
Directive 2002/95/EC RoHS compliant

THIS DRAWING MAY NOT BE COPIED OR REPRODUCED IN ANY WAY, AND MAY NOT BE PASSED ON TO A THIRD PARTY WITHOUT WRITTEN PERMISSION. OWNERSHIP AND COPYRIGHT OF CONEC GmbH DO NOT ALTER CAD DRAWING BY HAND	tolerance		dim. in mm		scale: 2:1 (5:1)	
					material: SEE NOTES	
			date		title:	
			name		D-SUB HD MALE 15pos. SOLDER PIN STRAIGHT	
			drawn 10.04.2002 Parei			
			appd. 10.04.2002 Mickenbecker			
		norm		dwg no:		
		d-old		16K1A542		
4 x b		A4102	14.09.2011	K.H.	DIN-A3	
a		Original			sh: 1/6	
rev.		description	date	name	part no: 163A16749X	





P.C.B. HOLE DRILLINGS
(P.C.B. TOP SIDE)



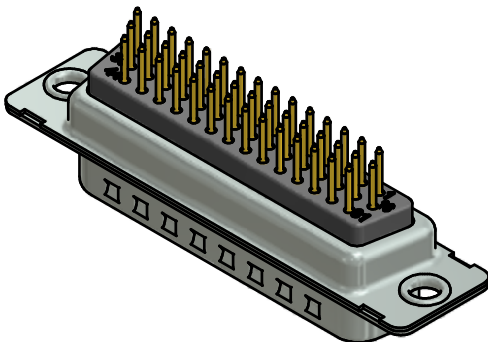
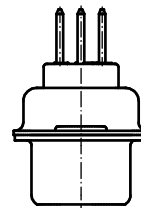
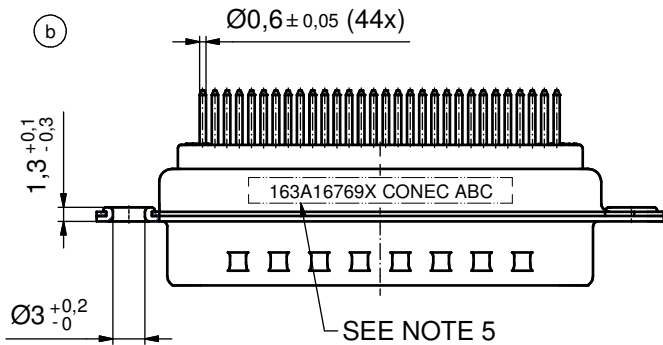
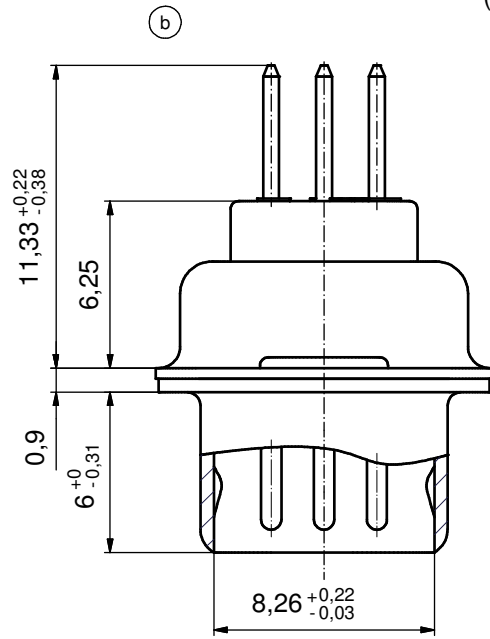
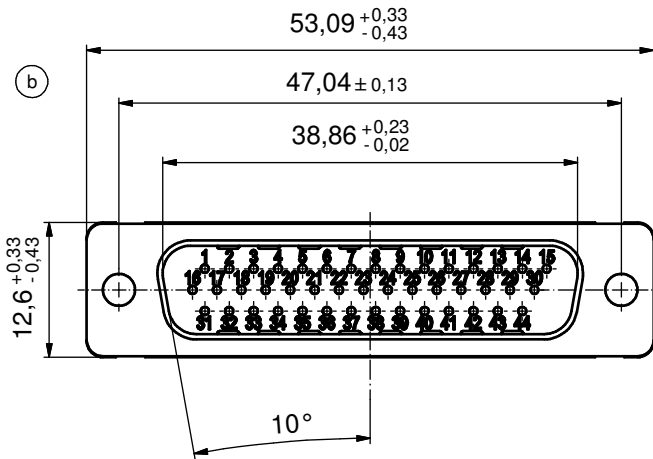
- (b) **NOTES:**
1. METALSHELLS: STEEL; min. 315µin TIN over 40-80µin NICKEL
 2. INSULATORS: PBT GF UL 94 V-0; BLACK
 3. CONTACTS: COPPER ALLOY
PLATING: GOLD FLASH over NICKEL
 4. CONNECTOR IS PART MARKED: 163A16759X CONEC ABC

Directive 2002/95/EC RoHS compliant

THIS DRAWING MAY NOT BE COPIED OR REPRODUCED IN ANY WAY, AND MAY NOT BE PASSED ON TO A THIRD PARTY WITHOUT WRITTEN PERMISSION. OWNERSHIP AND COPYRIGHT OF CONEC GmbH DO NOT ALTER CAD DRAWING BY HAND				tolerance		dim. in mm	scale: 2:1 (5:1)	
				date			material: SEE NOTES	
				name		title:		
				drawn 10.04.2002 Parei		D-SUB HD MALE 26pos. SOLDER PIN STRAIGHT		
appd. 10.04.2002 Mickenbecker								
norm								
d-old		dwg no:		DIN-A3				
4 x b	A4102	14.09.2011	K.H.		16K1A542			
a	Original			sh: 2/6				
rev.	description	date	name	part no: 163A16759X				



(5:1)



NOTES:

1. METALSHELLS: STEEL; min. 315µm TIN over 40-80µm NICKEL
2. INSULATORS: PBT GF UL 94 V-0; BLACK
3. CONTACTS: COPPER ALLOY
PLATING: GOLD FLASH over NICKEL
4. P.C.B. HOLE DRILLINGS ON SHEET 4
5. CONNECTOR IS PART MARKED: **163A16769X CONEC ABC**

Directive 2002/95/EC RoHS compliant

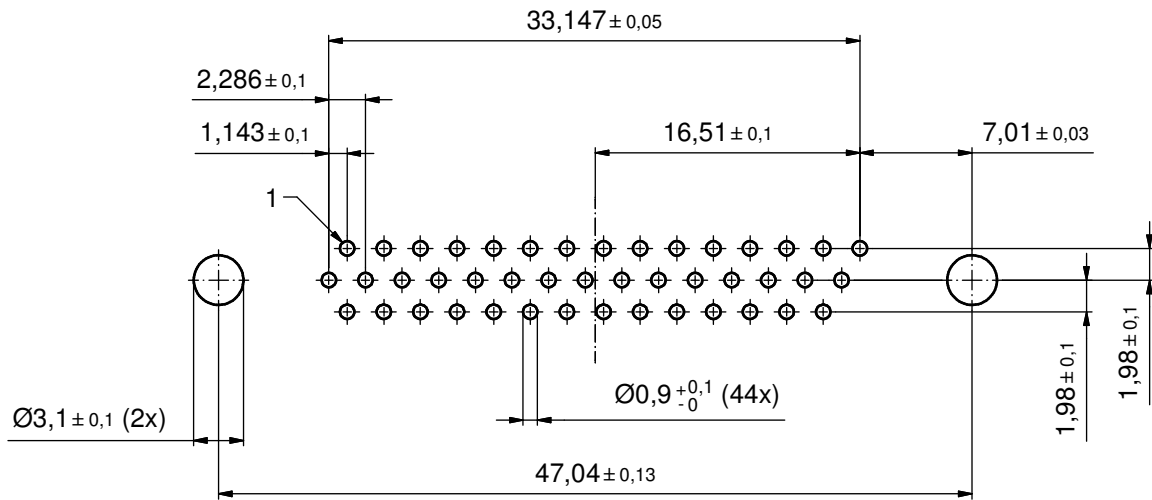
THIS DRAWING MAY NOT BE COPIED OR REPRODUCED IN ANY WAY, AND MAY NOT BE PASSED ON TO A THIRD PARTY WITHOUT WRITTEN PERMISSION. OWNERSHIP AND COPYRIGHT OF CONEC GmbH

DO NOT ALTER CAD DRAWING BY HAND

				tolerance		scale:	2:1 (5:1)	
				date	name	material:	SEE NOTES	
				drawn	10.04.2002	Perei	title: D-SUB HD MALE 44pos. SOLDER PIN STRAIGHT	
				appd.	10.04.2002	Mickenbecker		
				norm				
				d-old			dwg no:	
4 x b	A4102	14.09.2011	K.H.				16K1A542	
a	Original						DIN-A3	
rev.	description	date	name				sh: 3/6	
							part no:	163A16769X

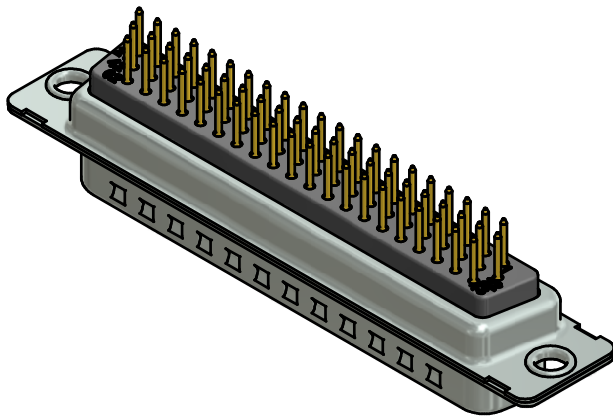
P.C.B. HOLE DRILLINGS

(P.C.B. TOP SIDE)



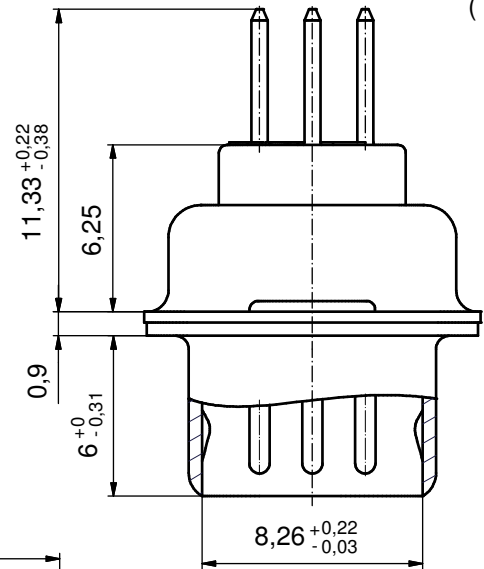
Directive 2002/95/EC RoHS compliant

THIS DRAWING MAY NOT BE COPIED OR REPRODUCED IN ANY WAY, AND MAY NOT BE PASSED ON TO A THIRD PARTY WITHOUT WRITTEN PERMISSION. OWNERSHIP AND COPYRIGHT OF CONEC GmbH DO NOT ALTER CAD DRAWING BY HAND					tolerance	 dim. in mm	scale: 2:1	
					date		name	material: SEE SHEET3
					drawn	10.04.2002	Perei	title: P.C.B. HOLE DRILLINGS D-SUB HD MALE 44pos.
					appd.	10.04.2002	Mickenbecker	
					norm			
					d-old			dwg no:
	a	Original						16K1A542
rev.	description	date	name	part no:				SEE SHEET3



(b)

(5:1)



69,5^{+0,2}_{-0,56}

63,5 ± 0,13

55,3^{+0,25}₋₀

12,6^{+0,33}_{-0,43}

10°

Ø0,6 ± 0,05 (62x)

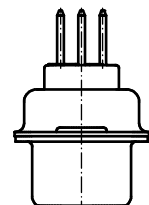
(b)

1,3^{+0,3}_{-0,1}

Ø3,1 ± 0,1

163A16779X CONEC ABC

NOTE 5



(b) NOTES:

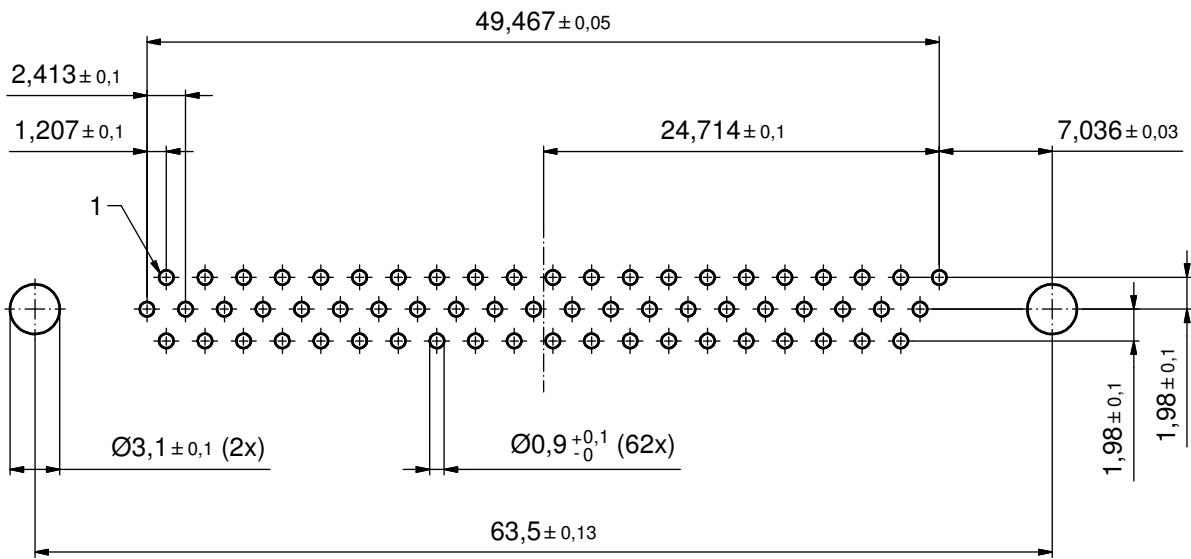
1. METALSHIELDS: STEEL; min. 315µm TIN over 40-80µm NICKEL
2. INSULATORS: PBT GF UL 94 V-0; BLACK
3. CONTACTS: COPPER ALLOY
PLATING: GOLD FLASH over NICKEL
4. P.C.B. HOLE DRILLINGS ON SHEET 6
5. CONNECTOR IS PART MARKED: 163A16779X CONEC ABC

Directive 2002/95/EC RoHS compliant

THIS DRAWING MAY NOT BE COPIED OR REPRODUCED IN ANY WAY, AND MAY NOT BE PASSED ON TO A THIRD PARTY WITHOUT WRITTEN PERMISSION. OWNERSHIP AND COPYRIGHT OF CONEC GmbH DO NOT ALTER CAD DRAWING BY HAND				tolerance	dim. in mm	scale:	2:1 (5:1)		
				date		name	material:	SEE NOTES	
				drawn	10.04.2002	Perei	title: D-SUB HD MALE 62pos. SOLDER PIN STRAIGHT		
				appd.	10.04.2002	Mickenbecker			
				norm					
			d-old			dwg no:			
4 x b	A4102	14.09.2011	K.H.			16K1A542		DIN-A3	
a	Original							sh: 5/6	
rev.	description	date	name			part no:	163A16779X		

P.C.B. HOLE DRILLINGS

(P.C.B. TOP SIDE)



Directive 2002/95/EC RoHS compliant

THIS DRAWING MAY NOT BE COPIED OR REPRODUCED IN ANY WAY, AND MAY NOT BE PASSED ON TO A THIRD PARTY WITHOUT WRITTEN PERMISSION. OWNERSHIP AND COPYRIGHT OF CONEC GmbH DO NOT ALTER CAD DRAWING BY HAND					tolerance		scale: 2:1
					date	name	material: SEE SHEET 5
					drawn	10.04.2002	Perei
					appd.	10.04.2002	Mickenbecker
					norm		
					d-old		
				rev.	a	Original	title: P.C.B. HOLE DRILLINGS D-SUB HD Male 62pos.
				description			dwg no: 16K1A542
				date			DIN-A3
				name			sh: 6/6
				CONEC [®]			part no: SEE SHEET 5

X-ON Electronics

Largest Supplier of Electrical and Electronic Components

Click to view similar products for [D-Sub High Density Connectors](#) category:

Click to view products by [CONEC](#) manufacturer:

Other Similar products are found below :

[97-3250-11](#) [163A17089X](#) [164A17199X](#) [164C18629X](#) [L717HDB44POL2R210](#) [L717HDEH15POL2](#) [L777HDE15P](#) [L77HDE15SC309](#)
[163A16759X](#) [163A16839X](#) [163A16989X](#) [163A17079X](#) [164A17329X](#) [164A18219X](#) [241A16440X](#) [241A16550X](#) [241A16680X](#)
[241A20810X](#) [241A25740X](#) [CT25-44P](#) [MDBE15PE766](#) [L177HDE15SOL2RM23](#) [L177HRC62SVFM](#) [L177HRCG62S](#)
[L717HDEG15POL2RM5](#) [L77HDA26SVF](#) [L77HDE15SD1CO](#) [L77HDEH15SOL2RM832](#) [DAMA-15S-WS](#) [443895-3](#) [106698-1](#) [280-](#)
[012K2C](#) [DBMV13H3SNA197](#) [L177HRB44S](#) [164A17039X](#) [09562004701510](#) [L777HRC62P](#) [241A17960X](#) [164A18269X](#) [280-019S1S9MEN](#)
[L777HDEG15P](#) [280-018P3S25MEGN](#) [206504-2](#) [40-9415HDSP](#) [40-9515HDSP](#) [2057140-1](#) [C115370-6002](#) [DFMA104SNMBFR172FR022](#)
[HDC9F200E2S](#) [L717HDAG26POL2RM8](#)