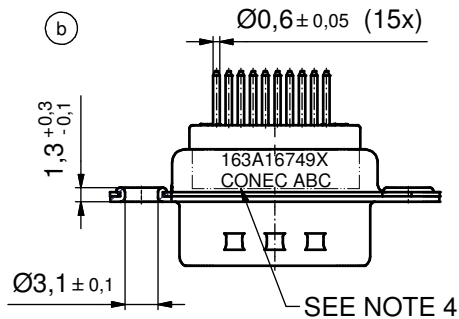
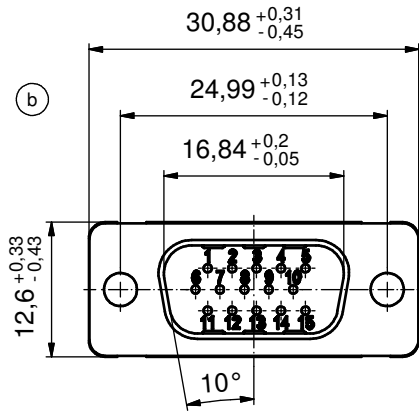
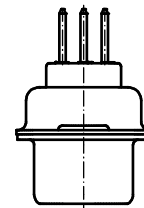
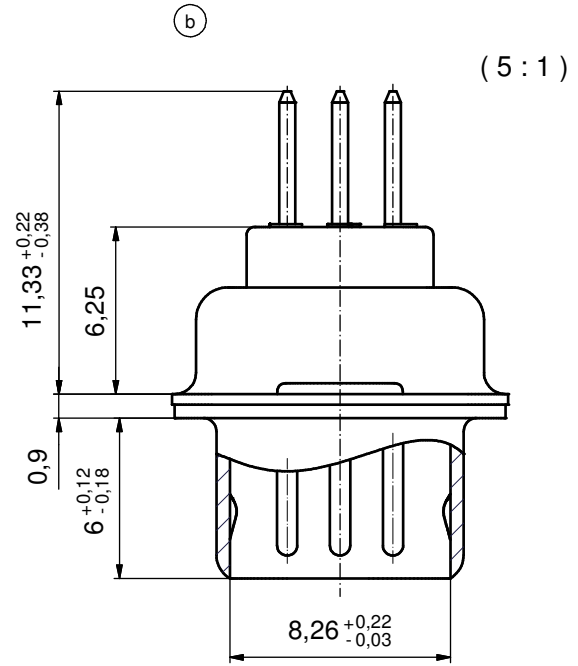


P.C.B. HOLE DRILLINGS
(P.C.B. TOP SIDE)

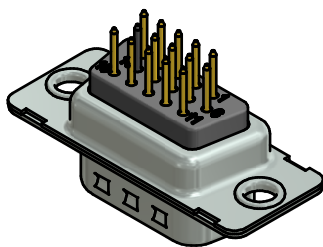


SEE NOTE 4



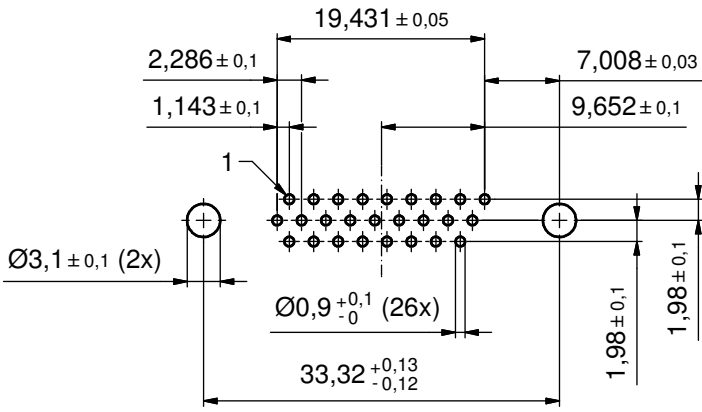
NOTES:

1. METALSHELLS: STEEL; min. 315µin TIN over 40-80µin NICKEL
2. INSULATORS: PBT GF UL 94 V-0; BLACK
3. CONTACTS: COPPER ALLOY
PLATING: GOLD FLASH over NICKEL
4. CONNECTOR IS PART MARKED: **163A16749X CONEC ABC**

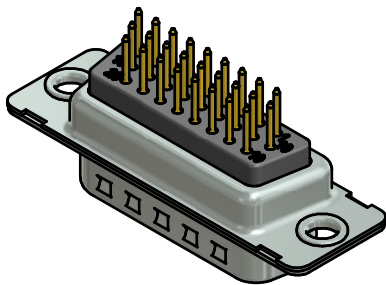
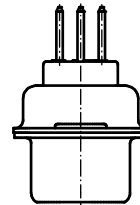
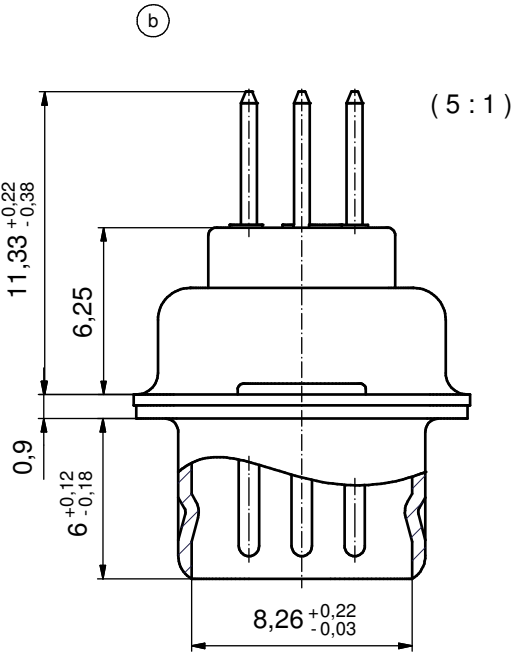
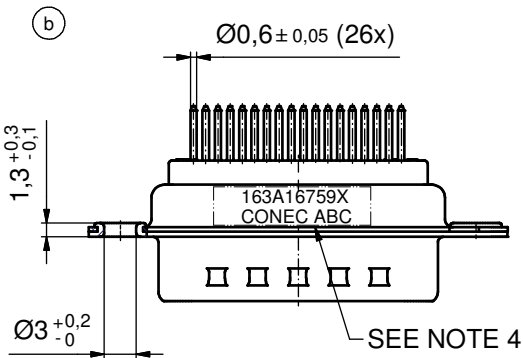
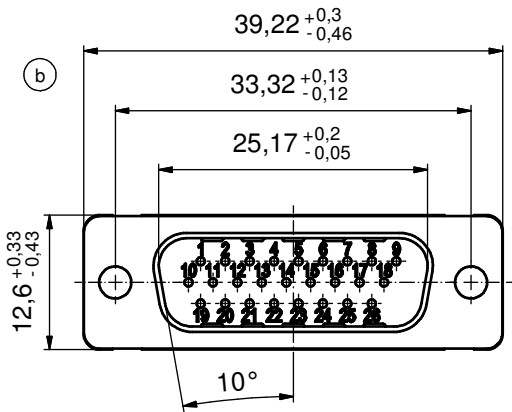


Directive 2002/95/EC RoHS compliant

THIS DRAWING MAY NOT BE COPIED OR REPRODUCED IN ANY WAY, AND MAY NOT BE PASSED ON TO A THIRD PARTY WITHOUT WRITTEN PERMISSION. OWNERSHIP AND COPYRIGHT OF CONEC GmbH DO NOT ALTER CAD DRAWING BY HAND				tolerance		scale: 2:1 (5:1)	
				date	name	material: SEE NOTES	
				drawn 10.04.2002	Perei	title: D-SUB HD MALE 15pos. SOLDER PIN STRAIGHT	
				appd. 10.04.2002	Mickenbecker		
				norm			
			d-old		dwg no:		
4 x b	A4102	14.09.2011	K.H.			16K1A542	DIN-A3
a	Original					part no: 163A16749X	sh: 1/6



P.C.B. HOLE DRILLINGS
(P.C.B. TOP SIDE)

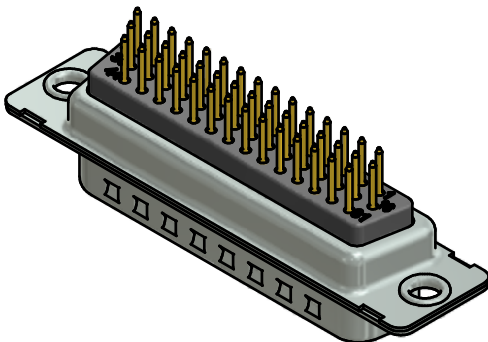
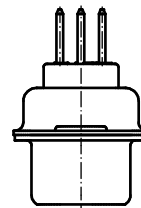
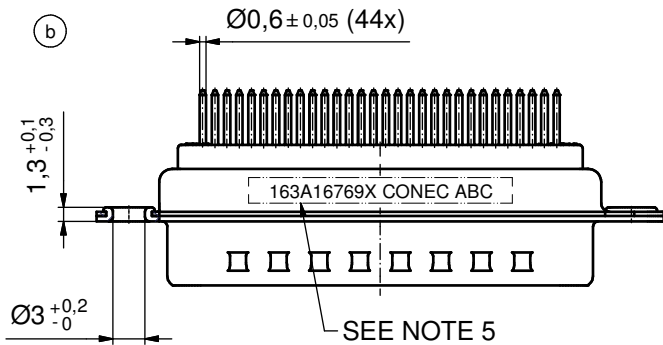
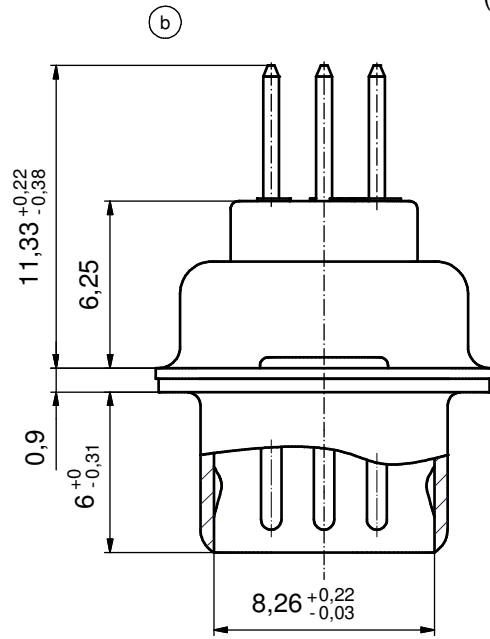
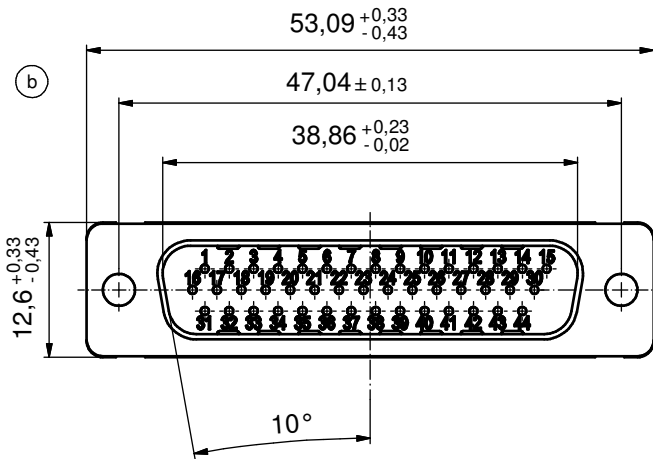


- (b) **NOTES:**
- METALSHELLS: STEEL; min. 315µin TIN over 40-80µin NICKEL
 - INSULATORS: PBT GF UL 94 V-0; BLACK
 - CONTACTS: COPPER ALLOY
PLATING: GOLD FLASH over NICKEL
 - CONNECTOR IS PART MARKED: 163A16759X CONEC ABC

Directive 2002/95/EC RoHS compliant

THIS DRAWING MAY NOT BE COPIED OR REPRODUCED IN ANY WAY, AND MAY NOT BE PASSED ON TO A THIRD PARTY WITHOUT WRITTEN PERMISSION. OWNERSHIP AND COPYRIGHT OF CONEC GmbH DO NOT ALTER CAD DRAWING BY HAND				tolerance		dim. in mm	scale: 2:1 (5:1)	
				date			material: SEE NOTES	
				name		title:		
				drawn 10.04.2002 Parei		D-SUB HD MALE 26pos. SOLDER PIN STRAIGHT		
appd. 10.04.2002 Mickenbecker								
norm		dwg no:						
d-old		16K1A542		DIN-A3				
4 x b	A4102	14.09.2011	K.H.	sh: 2/6				
a	Original			part no: 163A16759X				
rev.	description	date	name					

(5:1)



NOTES:

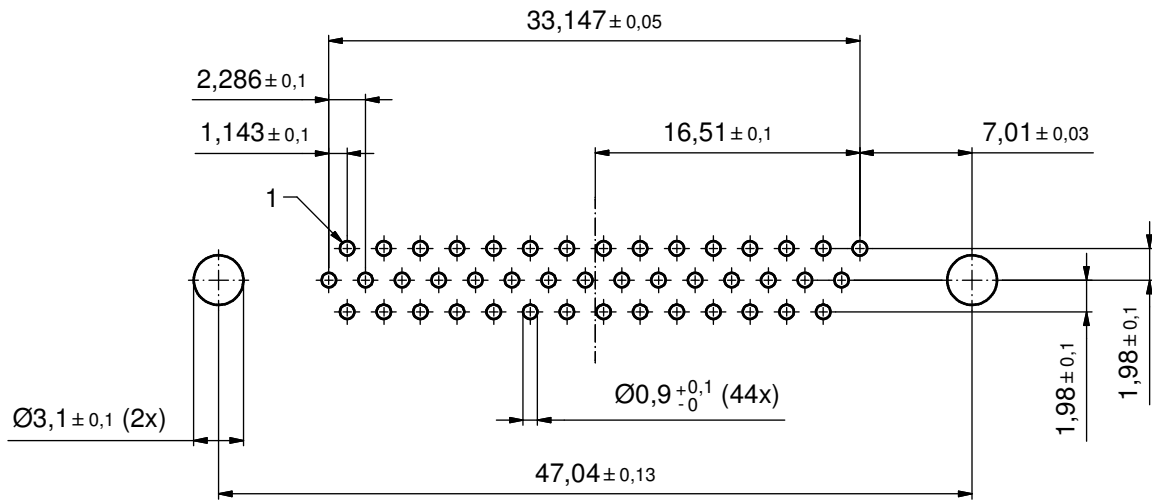
1. METALSHELLS: STEEL; min. 315µm TIN over 40-80µm NICKEL
2. INSULATORS: PBT GF UL 94 V-0; BLACK
3. CONTACTS: COPPER ALLOY
PLATING: GOLD FLASH over NICKEL
4. P.C.B. HOLE DRILLINGS ON SHEET 4
5. CONNECTOR IS PART MARKED: **163A16769X CONEC**

Directive 2002/95/EC RoHS compliant

THIS DRAWING MAY NOT BE COPIED OR REPRODUCED IN ANY WAY, AND MAY NOT BE PASSED ON TO A THIRD PARTY WITHOUT WRITTEN PERMISSION. OWNERSHIP AND COPYRIGHT OF CONEC GmbH DO NOT ALTER CAD DRAWING BY HAND				tolerance		scale: 2:1 (5:1)			
				date	name	material: SEE NOTES			
				drawn	10.04.2002	Perei			
				appd.	10.04.2002	Mickenbecker			
				norm					
			d-old						
			4 x b		A4102	14.09.2011	K.H.	title: D-SUB HD MALE 44pos. SOLDER PIN STRAIGHT	
			a		Original			dwg no: 16K1A542	
			rev.		description	date	name	part no: 163A16769X	
							DIN-A3		
							sh: 3/6		

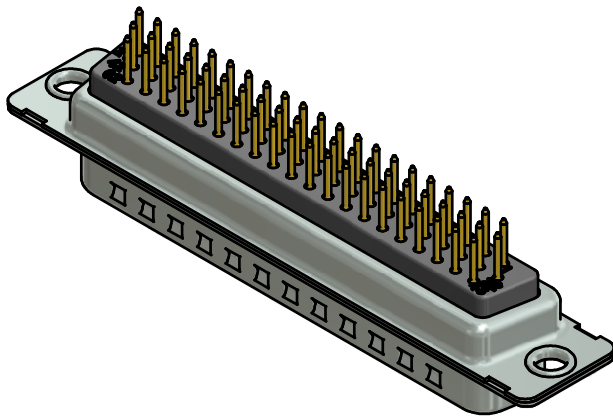
P.C.B. HOLE DRILLINGS

(P.C.B. TOP SIDE)



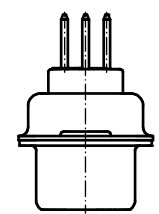
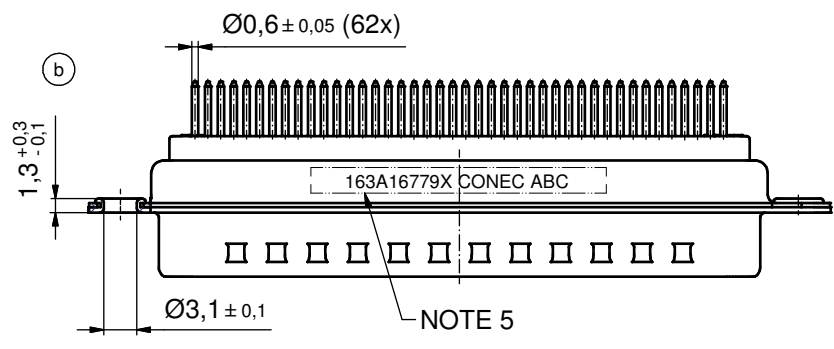
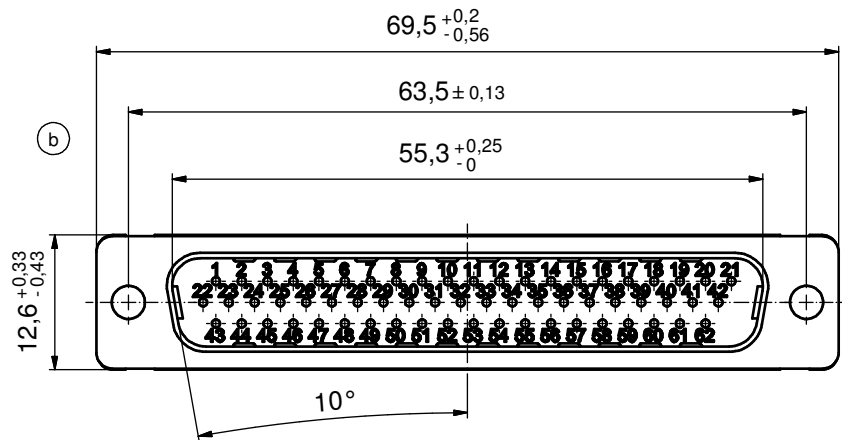
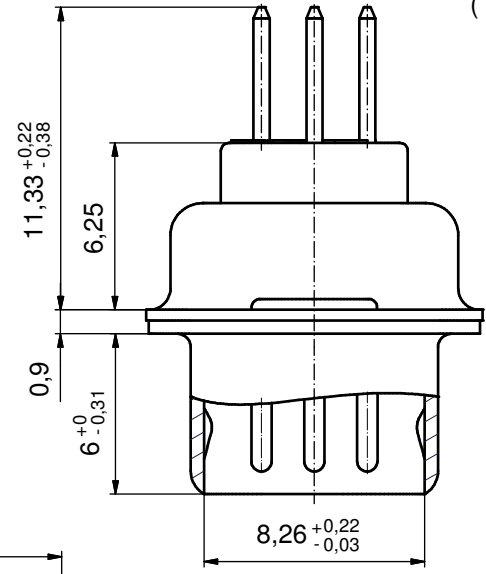
Directive 2002/95/EC RoHS compliant

THIS DRAWING MAY NOT BE COPIED OR REPRODUCED IN ANY WAY, AND MAY NOT BE PASSED ON TO A THIRD PARTY WITHOUT WRITTEN PERMISSION. OWNERSHIP AND COPYRIGHT OF CONEC GmbH DO NOT ALTER CAD DRAWING BY HAND					tolerance	dim. in mm	scale: 2:1	
					date		name	material: SEE SHEET3
					drawn	10.04.2002	Perei	P.C.B. HOLE DRILLINGS D-SUB HD MALE 44pos.
					appd.	10.04.2002	Mickenbecker	
					norm			
					d-old			dwg no:
	a	Original						16K1A542
rev.	description	date	name	part no: SEE SHEET3				sh: 4/6



(b)

(5:1)



(b) NOTES:

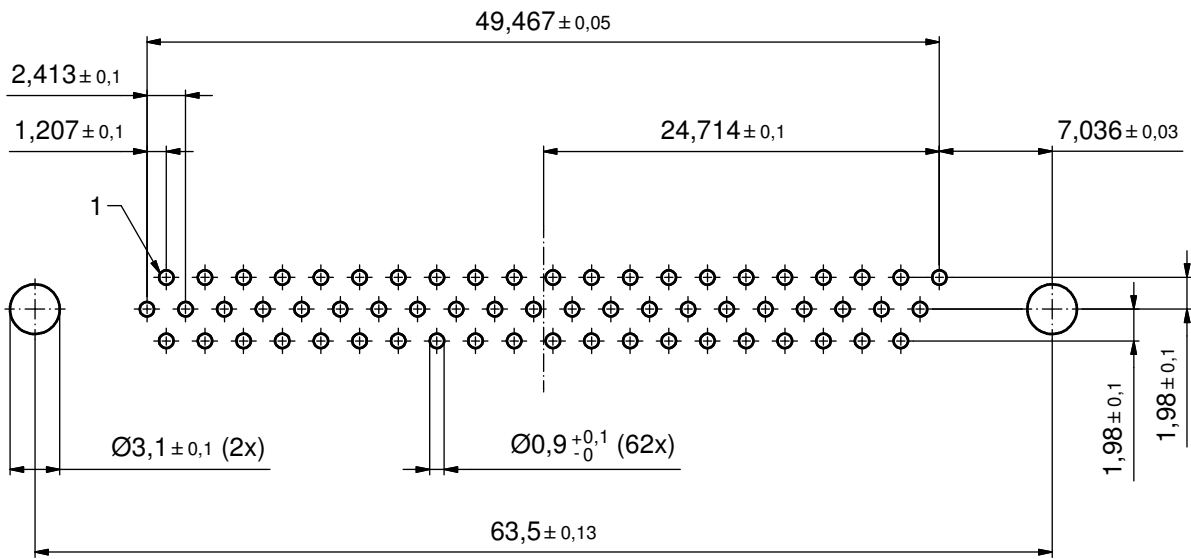
1. METALSHIELDS: STEEL; min. 315µm TIN over 40-80µm NICKEL
2. INSULATORS: PBT GF UL 94 V-0; BLACK
3. CONTACTS: COPPER ALLOY
PLATING: GOLD FLASH over NICKEL
4. P.C.B. HOLE DRILLINGS ON SHEET 6
5. CONNECTOR IS PART MARKED: 163A16779X CONEC ABC

Directive 2002/95/EC RoHS compliant

THIS DRAWING MAY NOT BE COPIED OR REPRODUCED IN ANY WAY, AND MAY NOT BE PASSED ON TO A THIRD PARTY WITHOUT WRITTEN PERMISSION. OWNERSHIP AND COPYRIGHT OF CONEC GmbH DO NOT ALTER CAD DRAWING BY HAND				tolerance	dim. in mm	scale: 2:1 (5:1)			
				date		name	material: SEE NOTES		
				drawn	10.04.2002	Perei	title: D-SUB HD MALE 62pos. SOLDER PIN STRAIGHT		
				appd.	10.04.2002	Mickenbecker			
				norm					
			d-old			dwg no:	DIN-A3		
4 x b	A4102	14.09.2011	K.H.			16K1A542		sh: 5/6	
a	Original					part no: 163A16779X			
rev.	description	date	name						

P.C.B. HOLE DRILLINGS

(P.C.B. TOP SIDE)



Directive 2002/95/EC RoHS compliant

THIS DRAWING MAY NOT BE COPIED OR REPRODUCED IN ANY WAY, AND MAY NOT BE PASSED ON TO A THIRD PARTY WITHOUT WRITTEN PERMISSION. OWNERSHIP AND COPYRIGHT OF CONEC GmbH DO NOT ALTER CAD DRAWING BY HAND					tolerance	dim. in mm	scale: 2:1			
					date		name	material: SEE SHEET 5		
					drawn	10.04.2002	Perei	title: P.C.B. HOLE DRILLINGS D-SUB HD Male 62pos.		
					appd.	10.04.2002	Mickenbecker			
					norm					
					d-old			dwg no:	DIN-A3	
a	Original						16K1A542	sh: 6/6		
rev.	description	date	name				part no:	SEE SHEET 5		

X-ON Electronics

Largest Supplier of Electrical and Electronic Components

Click to view similar products for [D-Sub High Density Connectors](#) category:

Click to view products by [CONEC](#) manufacturer:

Other Similar products are found below :

[97-3250-11](#) [163A17089X](#) [164A17199X](#) [164C18629X](#) [L717HDB44POL2R210](#) [L717HDEH15POL2](#) [L777HDE15P](#) [L77HDE15SC309](#)
[163A16759X](#) [163A16839X](#) [163A16989X](#) [163A17079X](#) [164A17329X](#) [164A18219X](#) [241A16440X](#) [241A16550X](#) [241A16680X](#)
[241A20810X](#) [241A25740X](#) [CT25-44P](#) [MDBE15PE766](#) [L177HDE15SOL2RM23](#) [L177HRC62SVFM](#) [L177HRCG62S](#)
[L717HDEG15POL2RM5](#) [L77HDA26SVF](#) [L77HDE15SD1CO](#) [L77HDEH15SOL2RM832](#) [DAMA-15S-WS](#) [443895-3](#) [106698-1](#) [280-](#)
[012K2C](#) [DBMV13H3SNA197](#) [L177HRB44S](#) [164A17039X](#) [09562004701510](#) [L777HRC62P](#) [241A17960X](#) [164A18269X](#) [280-019S1S9MEN](#)
[L777HDEG15P](#) [280-018P3S25MEGN](#) [206504-2](#) [40-9515HDSP](#) [2057140-1](#) [C115370-6002](#) [DFMA104SNMBFR172FR022](#) [HDC9F200E2S](#)
[L717HDAG26POL2RM8](#) [241A28180X](#)