

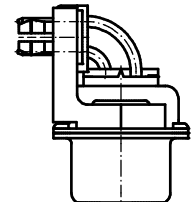
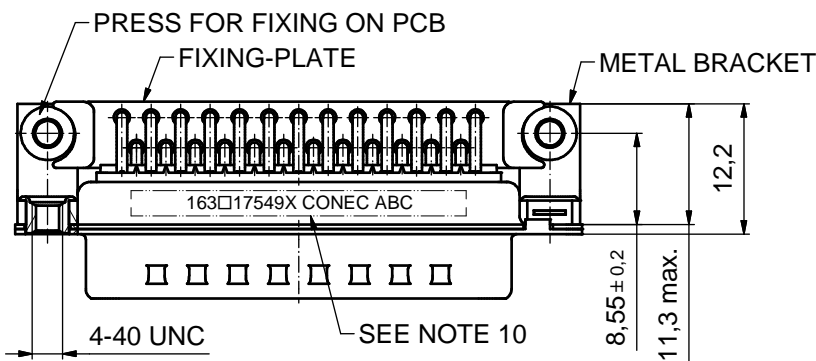
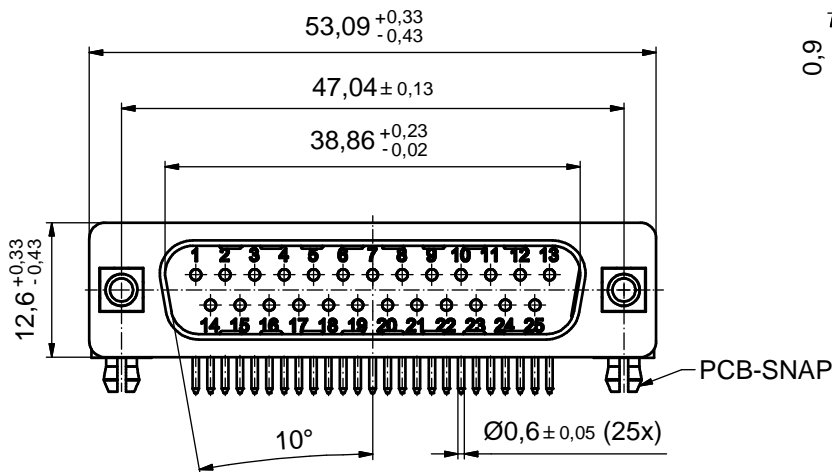
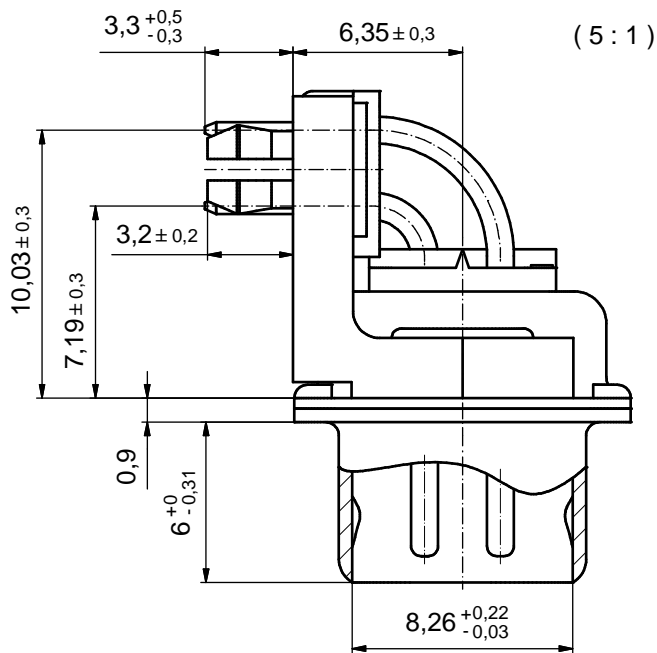
6 5 4 3 2 1

D

C

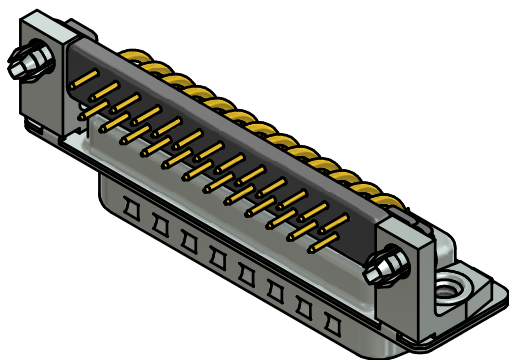
B

A



NOTES:

1. METALSHELLS: STEEL; min. 315µm TIN over 40-80µm NICKEL
2. INSULATORS: PBT GF UL 94 V-0, BLACK
3. SIGNAL CONTACTS: COPPER ALLOY; PLATING (SEE PART NO.):
 - (b) □ PLEASE ADD A for GOLD FLASH over NICKEL (PREFERRED TYPE)
 - PLEASE ADD B for 20µm HARD GOLD over min. 50µm NICKEL
 - PLEASE ADD C for 30µm HARD GOLD over min. 50µm NICKEL
 - PLEASE ADD J for 50µm HARD GOLD over min. 50µm NICKEL
4. METAL BRACKETS: ZINC DIE CAST; 300µm COPPER/40-120µm NICKEL/120-200µm TIN
5. THREADED INSERTS: COPPER ALLOY; min. 200µm TIN over 80µm NICKEL
6. PCB-SNAPS: COPPER ALLOY; min. 200µm TIN over 80µm NICKEL
PCB-HOLE: Ø3.1±0.1; PCB THICKNESS 1.6mm
7. FIXING-PLATE: PBT GF UL 94 V-0, BLACK
8. MAXIMUM TORQUE VALUE FOR THREAD: 6 in.LB
9. P.C.B. HOLE DRILLINGS ON SHEET 2
10. CONNECTOR IS PART MARKED: 163□17549X CONEC ABC (see note 3)



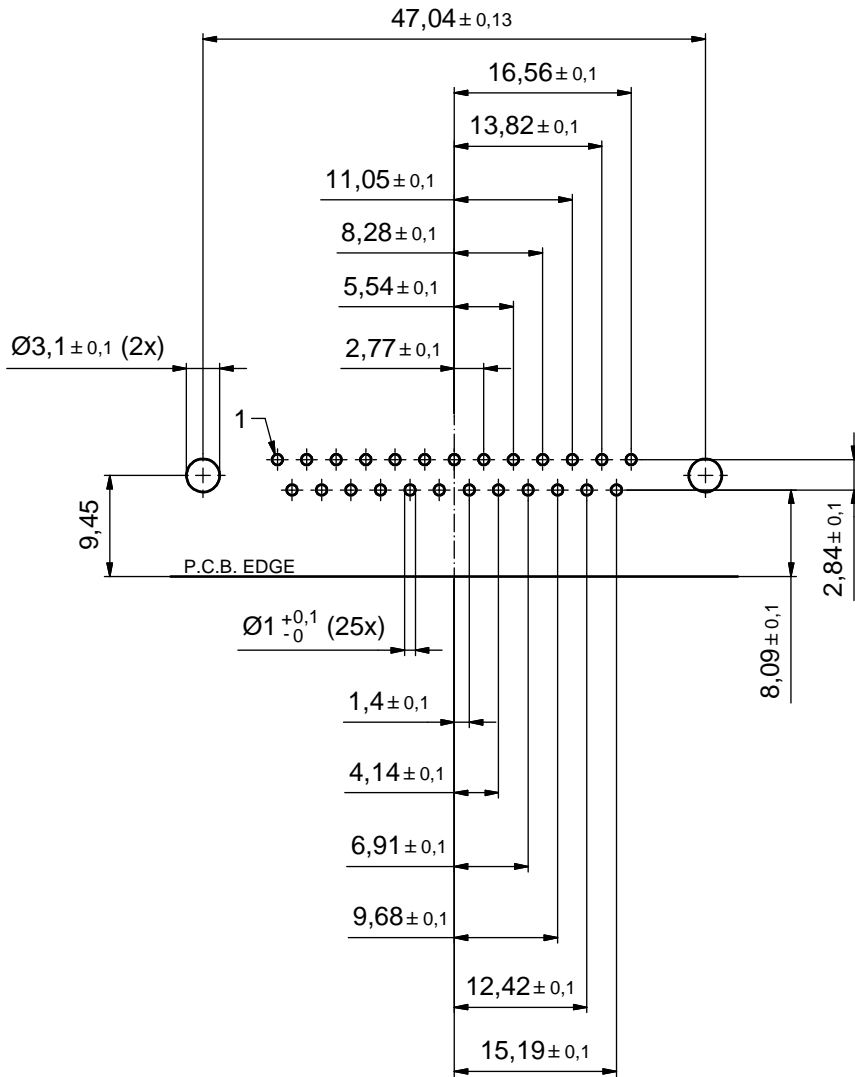
Directive 2002/95/EC RoHS compliant

THIS DRAWING MAY NOT BE COPIED OR REPRODUCED IN ANY WAY, AND MAY NOT BE PASSED ON TO A THIRD PARTY WITHOUT WRITTEN PERMISSION. OWNERSHIP AND COPYRIGHT OF CONEC GmbH DO NOT ALTER CAD DRAWING BY HAND	tolerance		dim. in mm		scale: 2:1 (5:1)	
	date		name		material: SEE NOTES	
	drawn	05.11.13	Henneboel		title: D-SUB MALE 90° 25pos. SOLDER PIN ANGLED 0.318inch threaded insert, metal bracket, fixing-plate, snap	
	appd.	05.11.13	Lehmenkühler			
	norm					
d-old	16K1A022A/16K1A682/16K2A682		dwg no:		DIN-A3	
3 x b	Ä4946	05.11.2013	K.H.	(b) 16K1A3319		
a	Original			sh: 1/2		
rev.	description	date	name			
				part no: (b) 163□17549X (see note 3)		

6 5 4 3 2 1

P.C.B. HOLE DRILLINGS

(P.C.B. TOP SIDE)



THIS DRAWING MAY NOT BE COPIED OR REPRODUCED IN ANY WAY, AND MAY NOT BE PASSED ON TO A THIRD PARTY WITHOUT WRITTEN PERMISSION. OWNERSHIP AND COPYRIGHT OF CONEC GmbH DO NOT ALTER CAD DRAWING BY HAND				tolerance	dim. in mm	scale:	2:1	
							material:	see sheet 1
				date	name	title:		
				drawn	05.11.13	Henneboel	P.C.B. HOLE DRILLINGS D-SUB MALE 90°25pos. solder pin angled threaded insert, metal bracket, fixing-plate, snap	
				appd.	05.11.13	Lehmenkühler	dwg no:	
				norm			16K1A3319 DIN-A3 sh: 2/2	
			d-old			part no: SEE SHEET 1		
			rev.	description	date	name		
			a	Original				



X-ON Electronics

Largest Supplier of Electrical and Electronic Components

Click to view similar products for [D-Sub Standard Connectors](#) category:

Click to view products by [CONEC](#) manufacturer:

Other Similar products are found below :

[56F711-015](#) [012-9507-004](#) [LV242999-142T12](#) [015-0341-000](#) [015-0349-000](#) [015-0372-005](#) [015-0372-008](#) [015-8755-001](#) [020419-0104](#) [012-0467-000](#) [012-0515-000](#) [012-9507-034](#) [012-9507-114](#) [020745-0008](#) [609-25P](#) [M24308315F](#) [CT2-14S-2PCA34](#) [CT2-18-11PCAU](#) [CT2-36-15SC](#) [CT6-14S-2SC](#) [CT6E14SA7SC](#) [CT6E22-14PC](#) [CT6E22-14PS](#) [CT6E22-22PS](#) [M83513/01-FC](#) [M85049/48-3-2F](#) [6STD09PCM99B70X](#) [6STD09SCM99B30X](#) [6STD09SCT99S40X](#) [6STD15PCT99S40X](#) [6STD15SCM99B30X](#) [6STD15SCT99S40X](#) [6STF09PCM05B70X](#) [7-135760-9](#) [MC11E-10-6SN](#) [747552-3](#) [MD1-21PS](#) [MDM-15SCBRM7-F222](#) [MDM96517-699](#) [MDM96521-744](#) [MDVB1-21SL1](#) [MIK0-1-7SH003](#) [MIKQ6-7SH076](#) [MIKQ7-7PH077](#) [MIKQ7-7PH11](#) [MIKQ7-7PH32](#) [MIKQ9-7PH003](#) [MJSV-28SL61](#) [MKJ4A1F14-55S](#) [8-135760-3](#)