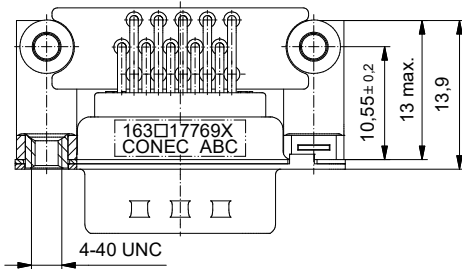
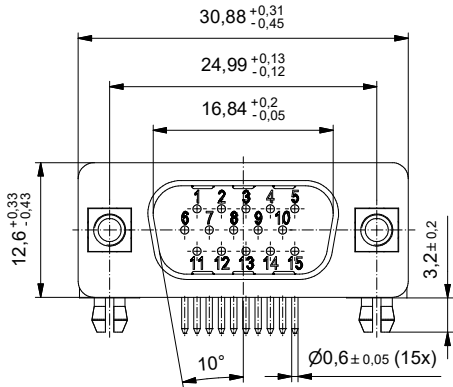
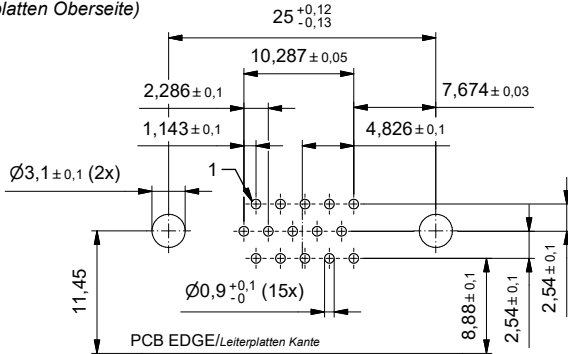


PCB hole drillings
(PCB top side)
Leiterplattenbohrbild
(Leiterplatten Oberseite)



**Technical specification/
Technische Daten:**

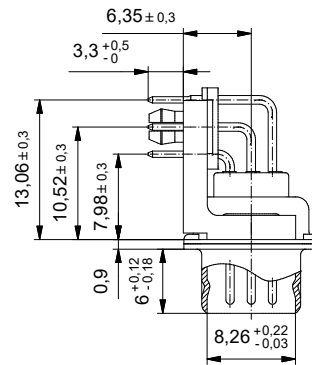
Working voltage/ Betriebsspannung:	60 V AC
Insulation resistance/ Isolationswiderstand:	≥ 5 GΩ
Dielectric withstanding voltage/ Spannungsfestigkeit:	1000 V, 50 Hz, 1 min.
Temperature range/ Temperaturbereich:	- 55 °C ... + 125 °C
Current rating/ Strombelastbarkeit:	3,0 A (UL, VDE) / 2,5 A (CSA)
Mating cycles/ Steckzyklen:	Quality class 1 = 500 Gütestufe 1 Quality class 2 = 200 Gütestufe 2 Quality class 3 = 50 Gütestufe 3 Quality class 4 ≥ 500 Gütestufe 4

**Materials/
Werkstoffe:**

Contact/ Kontakt:	Cu alloy, Au over Ni
Insulator/ Isolierkörper:	PBT GF UL 94 V-0
Fixing plate/ Zentrierplatte:	PBT GF UL 94 V-0
Shell/ Gehäuse:	Steel, Sn over Ni
Metal bracket/ Metallwinkel:	GD-Zn, Sn over Ni
Threaded insert/ Gewindeeinsatz:	Cu alloy, Sn over Ni
PCB snap/ PCB Clip:	Cu alloy, Sn over Ni

**Installation specification/
Montagedaten:**

Recommended torque value for thread/ Empfohlenes Drehmoment für Gewinde:	max. 6 in.LB/ max. 67 Ncm
PCB snap for hole diameter/ PCB Clip für Lochdurchmesser:	Ø3,1 mm
Circuit board thickness/ Leiterplattenstärke:	1,6 mm



Part no. / Part marked/ Art.-Nr. / Bedruckung:	Quality class/ Gütestufe:	Contact plating/ Kontakt Veredelung:
163J17769X	4	50 µin hard gold over min. 50 µin nickel 50 µin Gold über min. 50 µin Nickel
163A17769X	3	Gold flash over nickel Gold über Nickel
163B17769X	2	20 µin hard gold over min. 50 µin nickel 20 µin Gold über min. 50 µin Nickel
163C17769X	1	30 µin hard gold over min. 50 µin nickel 30 µin Gold über min. 50 µin Nickel

Index: a Original	Scale/ Maßstab: 2:1		D-SUB HD Male 90° 15pos. Solder pin angled 0.350 inch threaded insert, metal bracket, fixing plate, PCB snap D-SUB HD Stift 90° 15pos. Lötstift abgewinkelt 7.98 mm Gewindeeinsatz, Metallwinkel, Zentrierplatte, PCB Clip	dwg no / Z.-nr.: 16K1A4168	DIN- A3 1 / 1
Status: InBearbeitung					
RoHS compliant/ konform					

This reproduction, distribution and utilization of this document as well as the communication of its contents to others without express authorization is prohibited. Offenders will be held liable for the payment of damages. For further information on other legal matters, please refer to the terms and conditions of the contract.

X-ON Electronics

Largest Supplier of Electrical and Electronic Components

Click to view similar products for [D-Sub High Density Connectors](#) category:

Click to view products by [CONEC](#) manufacturer:

Other Similar products are found below :

[97-3250-11](#) [163A17089X](#) [164A17199X](#) [164C18629X](#) [L717HDB44POL2R210](#) [L717HDEH15POL2](#) [L777HDE15P](#) [L77HDE15SC309](#)
[163A16759X](#) [163A16839X](#) [163A16989X](#) [163A17079X](#) [164A17329X](#) [164A18219X](#) [241A16440X](#) [241A16550X](#) [241A16680X](#)
[241A20810X](#) [241A25740X](#) [CT25-44P](#) [MDBE15PE766](#) [L177HDE15SOL2RM23](#) [L177HRC62SVFM](#) [L177HRCG62S](#)
[L717HDEG15POL2RM5](#) [L77HDA26SVF](#) [L77HDE15SD1CO](#) [L77HDEH15SOL2RM832](#) [DAMA-15S-WS](#) [443895-3](#) [106698-1](#) [280-](#)
[012K2C](#) [DBMV13H3SNA197](#) [L177HRB44S](#) [164A17039X](#) [09562004701510](#) [L777HRC62P](#) [241A17960X](#) [164A18269X](#) [280-019S1S9MEN](#)
[L777HDEG15P](#) [280-018P3S25MEGN](#) [206504-2](#) [40-9515HDSP](#) [2057140-1](#) [C115370-6002](#) [DFMA104SNMBFR172FR022](#) [HDC9F200E2S](#)
[L717HDAG26POL2RM8](#) [241A28180X](#)