

3,97<sup>+0,23</sup><sub>-0,57</sub>

8,65±0,3

(5:1)

15,08±0,3

12,24±0,3

9,4±0,3

3,2±0,2

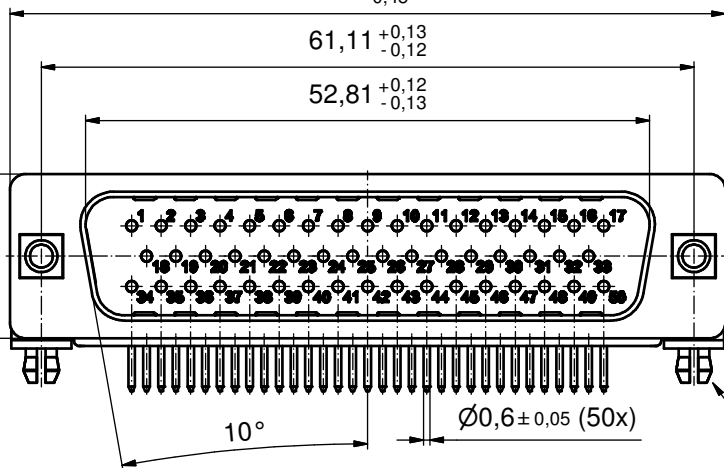
0,9

67<sup>+0,31</sup><sub>-0,45</sub>

61,11<sup>+0,13</sup><sub>-0,12</sub>

52,81<sup>+0,12</sup><sub>-0,13</sub>

15,38<sup>+0,37</sup><sub>-0,39</sub>

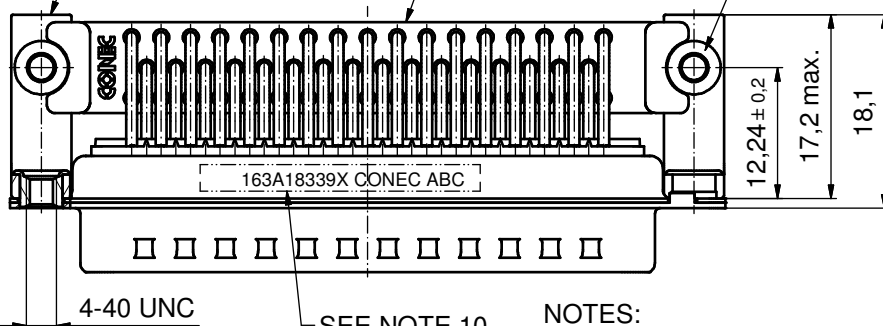


PCB SNAP

METAL BRACKET

FIXING PLATE

PRESS FOR FIXING ON PCB



4-40 UNC

SEE NOTE 10

NOTES:

1. METALSHELLS: STEEL; min. 315µin TIN over 40-80µin NICKEL
2. INSULATORS: PBT GF UL 94 V-0, BLACK
3. CONTACTS: COPPER ALLOY  
PLATING: GOLD FLASH over NICKEL
4. METAL BRACKETS: ZINC DIE CAST; 300µin COPPER/40-120µin NICKEL/120-200µin TIN
5. THREADED INSERTS: COPPER ALLOY; min. 200µin TIN over 80µin NICKEL
6. P.C.B. SNAPS: COPPER ALLOY; min. 200µin TIN over 80µin NICKEL  
PCB-HOLE:  $\varnothing 3.1 \pm 0.1$ ; PCB THICKNESS 1.6mm
7. FIXING-PLATE: PBT GF UL 94 V-0; BLACK
8. PCB HOLE DRILLINGS ON SHEET 2
9. MAXIMUM TORQUE VALUE FOR THREAD: 6 in.LB
10. CONNECTOR IS PART MARKED: [163A18339X CONEC ABC]

Directive 2002/95/EC RoHS compliant

THIS DRAWING MAY NOT BE COPIED OR REPRODUCED IN ANY WAY, AND MAY NOT BE PASSED ON TO A THIRD PARTY WITHOUT WRITTEN PERMISSION. OWNERSHIP AND COPYRIGHT OF CONEC GmbH

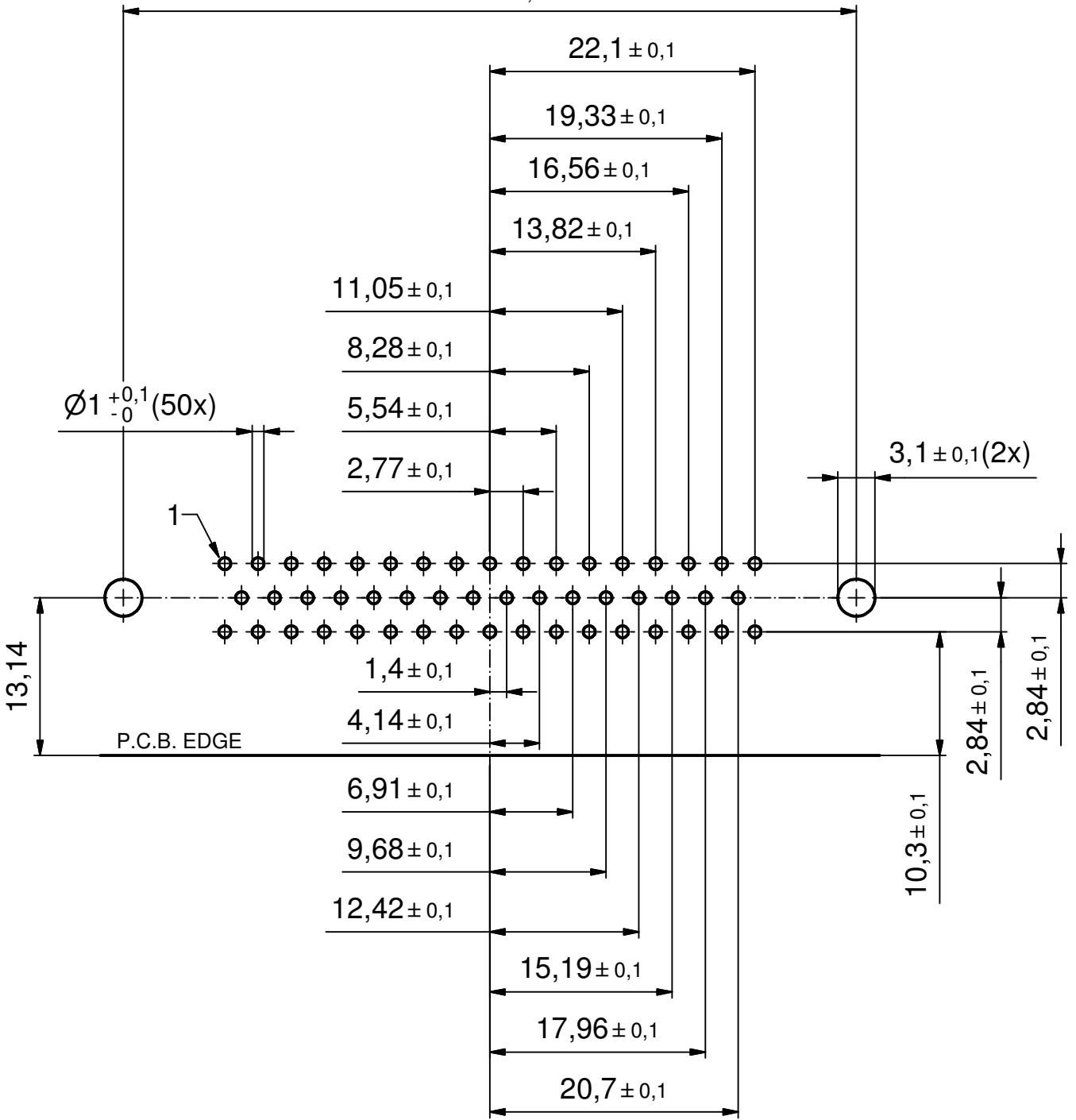
DO NOT ALTER CAD DRAWING BY HAND

tolerance		dim. in mm	scale: 2:1 (5:1)	
			material: SEE NOTES	
date		name		title: D-SUB MALE 90° 50pos. 0,370inch with threaded insert, metal bracket and clip
drawn	17.10.11	Henneboel		
appd.	17.10.11	Koch		
norm				
d-old				dwg no:
a	Original	<b>CONEC</b> <sup>®</sup>		16K2A2289
rev.	description			date

scale:	2:1 (5:1)
material:	SEE NOTES
title:	D-SUB MALE 90° 50pos. 0,370inch with threaded insert, metal bracket and clip
dwg no:	16K2A2289
part no:	163A18339X

DIN-A3  
sh: 1

61,11<sup>+0,13</sup><sub>-0,12</sub>



THIS DRAWING MAY NOT BE COPIED OR REPRODUCED IN ANY WAY, AND MAY NOT BE PASSED ON TO A THIRD PARTY WITHOUT WRITTEN PERMISSION. OWNERSHIP AND COPYRIGHT OF CONEC GmbH

DO NOT ALTER CAD DRAWING BY HAND

rev.	description	date	name
a	Original		

tolerance		dim. in mm	
drawn	17.10.11	name	Henneboel
appd.	17.10.11	name	Koch
norm			
d-old			



scale:	2:1		
material:	SEE SHEET 1		
title:	<b>P.C.B. HOLE DRILLINGS</b> D-SUB MALE 50pos. SOLDER PIN ANGLED with threaded insert metal bracket and clip		
dwg no:	16K2A2289	DIN-A4	sh: 2
part no:	SEE SHEET 1		

## X-ON Electronics

Largest Supplier of Electrical and Electronic Components

*Click to view similar products for [D-Sub Standard Connectors](#) category:*

*Click to view products by [CONEC](#) manufacturer:*

Other Similar products are found below :

[56F711-015](#) [012-9507-004](#) [LV242999-142T12](#) [015-0341-000](#) [015-0349-000](#) [015-0372-005](#) [015-0372-008](#) [015-8755-001](#) [020419-0104](#) [012-0467-000](#) [012-0515-000](#) [012-9507-034](#) [012-9507-114](#) [020745-0008](#) [609-25P](#) [M24308/2-23Z](#) [CT2-14S-2PCA34](#) [CT2-18-11PCAU](#) [CT2-36-15SC](#) [CT6-14S-2SC](#) [CT6E14SA7SC](#) [CT6E22-14PC](#) [CT6E22-14PS](#) [CT6E22-22PS](#) [M83513/01-FC](#) [M85049/48-3-2F](#) [6STD09PCM99B70X](#) [6STD09SCM99B30X](#) [6STD09SCT99S40X](#) [6STD15PCT99S40X](#) [6STD15SCM99B30X](#) [6STD15SCT99S40X](#) [6STF09PCM05B70X](#) [7-135760-9](#) [MC11E-10-6SN](#) [747552-3](#) [MD1-21PS](#) [MDM-15SCBRM7-F222](#) [MDM96517-699](#) [MDM96521-744](#) [MDVB1-21SL1](#) [MIK0-1-7SH003](#) [MIKQ6-7SH076](#) [MIKQ7-7PH077](#) [MIKQ7-7PH11](#) [MIKQ7-7PH32](#) [MIKQ9-7PH003](#) [MJSV-28SL61](#) [MKJ4A1F14-55S](#) [8-135760-3](#)