

NOTES:

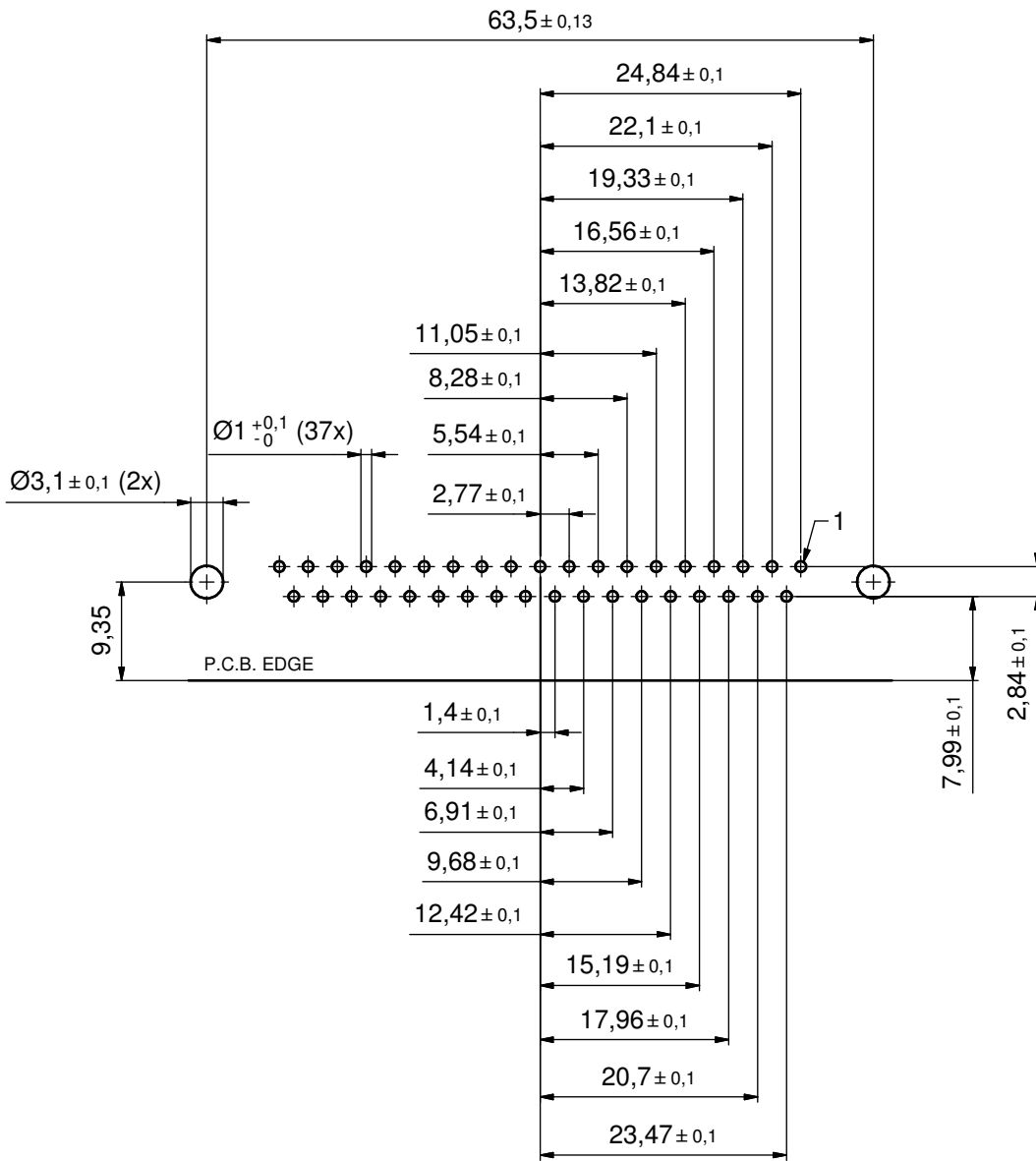
1. METAL SHELLS: STEEL; min. 315µm TIN over 40-80µm NICKEL
2. INSULATORS: PBT GF UL 94 V-0, BLACK
3. SIGNAL CONTACTS: COPPER ALLOY; PLATING (SEE PART NO.):
 - PLEASE ADD A for GOLD FLASH over NICKEL (PREFERRED TYPE)
 - PLEASE ADD B for 20µm HARD GOLD over min. 50µm NICKEL
 - PLEASE ADD C for 30µm HARD GOLD over min. 50µm NICKEL
4. METAL BRACKETS: ZINC DIE CAST; 300µm COPPER/40-120µm NICKEL/120-200µm TIN
5. THREADED INSERTS: COPPER ALLOY; min. 200µm TIN over 80µm NICKEL
6. FIXING-PLATE: PBT GF UL 94 V-0, BLACK
7. P.C.B. HOLE DRILLINGS ON SHEET 2
8. MAXIMUM TORQUE VALUE FOR THREAD: 6 in.LB
9. CONNECTOR IS PART MARKED: 164□11549X CONEC ABC (see note 3)

Directive 2002/95/EC RoHS compliant

| | | | | | | | | | |
|---|----------|------------|------|--|-----------|------------|-----------|--|-----------|
| THIS DRAWING MAY NOT BE COPIED OR REPRODUCED IN ANY WAY, AND MAY NOT BE PASSED ON TO A THIRD PARTY WITHOUT WRITTEN PERMISSION. OWNERSHIP AND COPYRIGHT OF CONEC GmbH DO NOT ALTER CAD DRAWING BY HAND | | | | | tolerance | dim. in mm | scale: | 2:1 (5:1) | |
| | | | | | date | | name | material: | SEE NOTES |
| | | | | | drawn | 05.07.13 | Henneboel | title: D-SUB FEMALE 90° 37pos. SOLDER PIN ANGLED 0.318inch with threaded insert, metal bracket, fixing-plate | |
| | | | | | appd. | 08.07.13 | Fischer | | |
| | | | | | norm | | | | |
| | | | | | d-old | 16K1A653 | | dwg no: | DIN-A3 |
| 4 x b | A4827 | 05.07.2013 | K.H. | | | | | (b) 16K1A3277 | sh: 1/2 |
| a | Original | | | | | | | part no: (b)164□11549X (see note 3) | |

P.C.B. HOLE DRILLINGS

(P.C.B. TOP SIDE)



| | | | | | | |
|---|-------------|----------|-------|---------------------------|------------|--|
| THIS DRAWING MAY NOT BE COPIED OR REPRODUCED IN ANY WAY, AND MAY NOT BE PASSED ON TO A THIRD PARTY WITHOUT WRITTEN PERMISSION. OWNERSHIP AND COPYRIGHT OF CONEC GmbH DO NOT ALTER CAD DRAWING BY HAND | | | | tolerance | | scale: 2:1 |
| | | | | | dim. in mm | material: SEE SHEET 1 |
| | | | | date | name | title: P.C.B. HOLE DRILLINGS D-SUB FEMALE 37pos. 0.318inch with threaded insert, metal bracket, fixing-plate |
| | | | | drawn 05.07.13 | Henneboel | |
| | | | | appd. 05.07.13 | Fischer | |
| | | | norm | | dwg no: | |
| | | | d-old | 16KIIUA | DIN-A3 | |
| | a | Original | | | 16K1A3277 | sh: 2/2 |
| rev. | description | date | name | CONEC [®] | | part no: SEE SHEET 1 |

X-ON Electronics

Largest Supplier of Electrical and Electronic Components

Click to view similar products for [D-Sub Standard Connectors](#) category:

Click to view products by [CONEC](#) manufacturer:

Other Similar products are found below :

[56F711-015](#) [012-9507-004](#) [LV242999-142T12](#) [015-0341-000](#) [015-0349-000](#) [015-0372-005](#) [015-0372-008](#) [015-8755-001](#) [020419-0104](#) [012-0467-000](#) [012-0515-000](#) [012-9507-034](#) [012-9507-114](#) [020745-0008](#) [609-25P](#) [M24308315F](#) [CT2-14S-2PCA34](#) [CT2-18-11PCAU](#) [CT2-36-15SC](#) [CT6-14S-2SC](#) [CT6E14SA7SC](#) [CT6E22-14PC](#) [CT6E22-14PS](#) [CT6E22-22PS](#) [M83513/01-FC](#) [M85049/48-3-2F](#) [6STD09PCM99B70X](#) [6STD09SCM99B30X](#) [6STD09SCT99S40X](#) [6STD15PCT99S40X](#) [6STD15SCM99B30X](#) [6STD15SCT99S40X](#) [6STF09PCM05B70X](#) [7-135760-9](#) [MC11E-10-6SN](#) [747552-3](#) [MD1-21PS](#) [MDM-15SCBRM7-F222](#) [MDM96517-699](#) [MDM96521-744](#) [MDVB1-21SL1](#) [MIK0-1-7SH003](#) [MIKQ6-7SH076](#) [MIKQ7-7PH077](#) [MIKQ7-7PH11](#) [MIKQ7-7PH32](#) [MIKQ9-7PH003](#) [MJSV-28SL61](#) [MKJ4A1F14-55S](#) [8-135760-3](#)