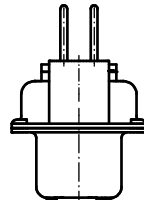
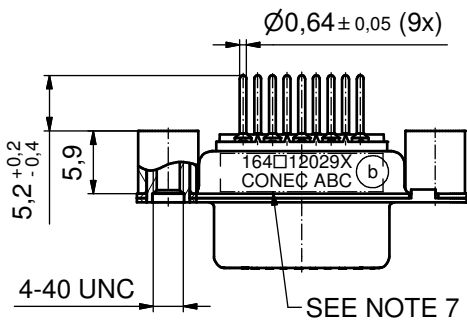
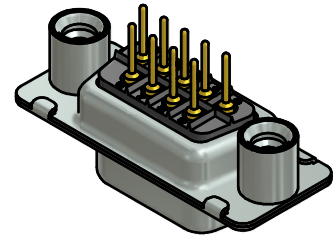
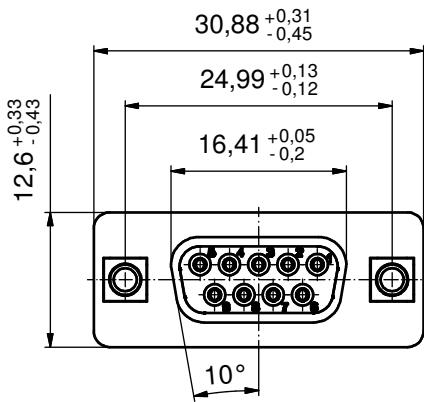
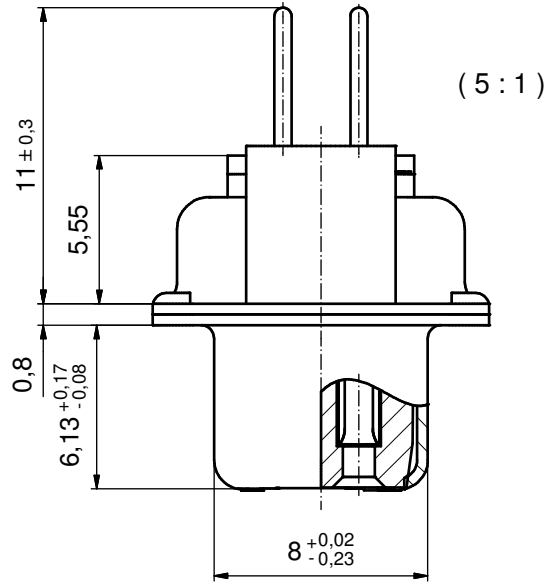
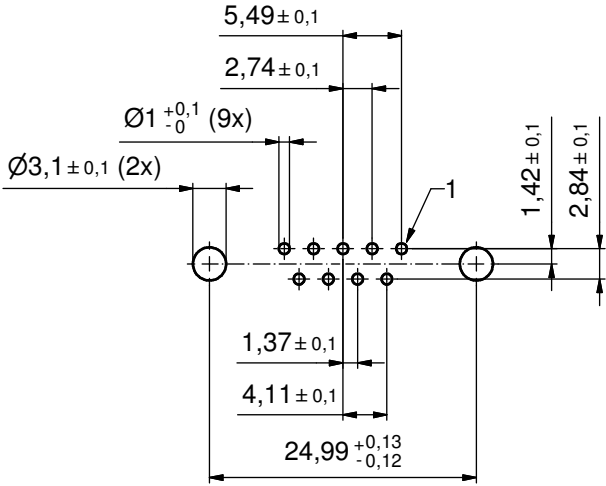


P.C.B. HOLE DRILLINGS  
( P.C.B. TOP SIDE )



NOTES:

- 1. METALSHELLS: STEEL; min. 315µm TIN over 40-80µm NICKEL
- 2. INSULATORS: PBT GF UL 94 V-0; BLACK
- 3. SIGNAL CONTACTS: COPPER ALLOY; PLATING (SEE PART NO.):
  - PLEASE ADD A for GOLD FLASH over NICKEL (PREFERRED TYPE)
  - PLEASE ADD B for 20µm HARD GOLD over min. 50µm NICKEL
  - PLEASE ADD C for 30µm HARD GOLD over min. 50µm NICKEL
- 4. THREADED REAR SPACERS: COPPER ALLOY; min. 200µm TIN over 80µm NICKEL
- 5. SLEEVES: COPPER ALLOY; min. 200µm TIN over 80µm NICKEL
- 6. MAXIMUM TORQUE VALUE FOR THREAD: 6 in.LB
- 7. CONNECTOR IS PART MARKED: 164□12029X CONEC ABC (see note 3)

RoHS compliant

THIS DRAWING MAY NOT BE COPIED OR REPRODUCED IN ANY WAY, AND MAY NOT BE PASSED ON TO A THIRD PARTY WITHOUT WRITTEN PERMISSION. OWNERSHIP AND COPYRIGHT OF CONEC GmbH DO NOT ALTER CAD DRAWING BY HAND				tolerance		scale: 2:1 (5:1)
				date	name	material: SEE NOTES
				drawn	21.01.15	Henneboel
				appd.	21.01.15	Lehmenkühler
				norm		
				d-old	16K2A904	
				title: D-SUB FEMALE 9pos. SOLDER PIN STRAIGHT with threaded rear spacer		
3 x b	Ä5499	21.01.2015	K.H.	dwg no: 16K1A904		DIN-A3
a	Original			sh: 1		
rev.	description	date	name	part no: <span style="border: 1px solid black; border-radius: 50%; padding: 2px;">b</span> 164□12029X (see note 3)		



## X-ON Electronics

Largest Supplier of Electrical and Electronic Components

*Click to view similar products for [D-Sub Standard Connectors](#) category:*

*Click to view products by [CONEC](#) manufacturer:*

Other Similar products are found below :

[56F711-015](#) [012-9507-004](#) [LV242999-142T12](#) [015-0341-000](#) [015-0349-000](#) [015-0372-005](#) [015-0372-008](#) [015-8755-001](#) [020419-0104](#) [012-0467-000](#) [012-0515-000](#) [012-9507-034](#) [012-9507-114](#) [020745-0008](#) [609-25P](#) [M24308/2-23Z](#) [M24308315F](#) [CT2-14S-2PCA34](#) [CT2-18-11PCAU](#) [CT2-36-15SC](#) [CT6-14S-2SC](#) [CT6E14SA7SC](#) [CT6E22-14PC](#) [CT6E22-14PS](#) [CT6E22-22PS](#) [M83513/01-FC](#) [M85049/48-3-2F](#) [6STD09PCM99B70X](#) [6STD09SCM99B30X](#) [6STD09SCT99S40X](#) [6STD15PCT99S40X](#) [6STD15SCM99B30X](#) [6STD15SCT99S40X](#) [6STF09PCM05B70X](#) [7-135760-9](#) [MC11E-10-6SN](#) [747552-3](#) [MD1-21PS](#) [MDM-15SCBRM7-F222](#) [MDM96517-699](#) [MDM96521-744](#) [MDVB1-21SL1](#) [MIK0-1-7SH003](#) [MIKQ6-7SH076](#) [MIKQ7-7PH077](#) [MIKQ7-7PH11](#) [MIKQ7-7PH32](#) [MIKQ9-7PH003](#) [MJSV-28SL61](#) [MKJ4A1F14-55S](#)