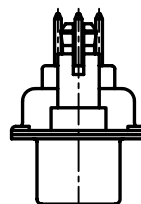
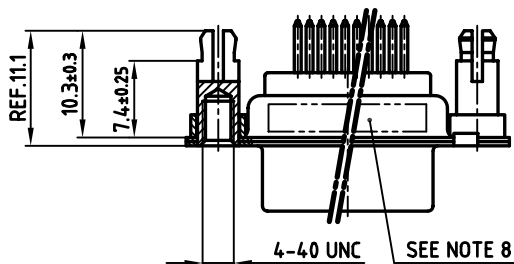
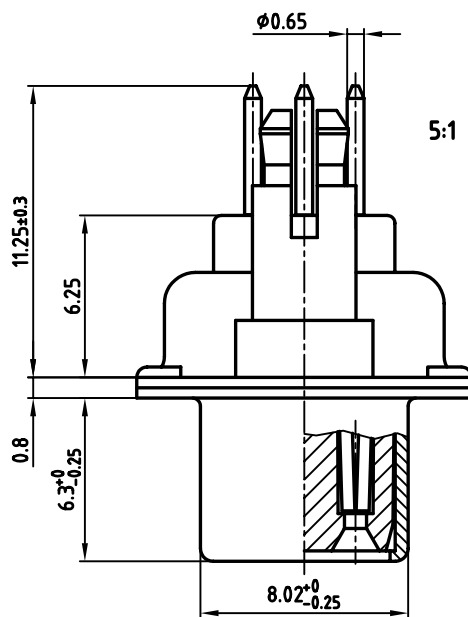
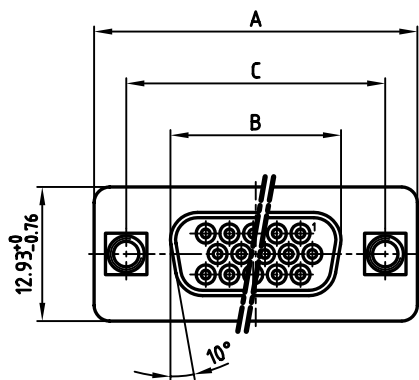


used for: D-SUB HD

No. of Pos.	A ^{-0.76}	B ^{-0.25}	C ^{+0.12} ^{-0.13}	Part No.
15	31.19	16.46	25.00	164A17359X
26	39.52	24.79	33.30 ^{+0.15} ^{-0.1}	164A17369X
44	53.42	38.50	47.04 ± 0.13	164A17379X
62	69.70	54.96	63.50 ± 0.13	164A17389X



NOTES:

- METALSHELLS: STEEL; min. 315µin TIN over 40-80µin NICKEL
- INSULATORS: PBT GF UL 94 V-0, BLACK
- CONTACTS: COPPER ALLOY
PLATING: 8µin HARD GOLD OVER min. 50µin NICKEL
- THREADED SPACER CLIP: COPPER ALLOY; min. 200µin TIN over 80µin NICKEL
PCB-HOLE: $\phi 3.1 \pm 0.1$; PCB THICKNESS 1.6mm
- COLLAR: COPPER ALLOY; min. 200µin TIN over 80µin NICKEL
- P.C.B. HOLE DRILLINGS ON SHEET 2
- MAXIMUM TORQUE VALUE FOR THREAD: 6 in.LB
- CONNECTOR IS PART MARKED: PART-NO. CONEC ABC

Directive 2002/95/EC
„RoHS“
Compliant

APPROVAL * FREIGABE * DEBLOCAGE * AUTORIZACION * APPROVAL	
CUSTOMER APPROVAL DATE:	
NAME:	TITLE:
COMPANY NAME:	
APPROVAL * FREIGABE * DEBLOCAGE * AUTORIZACION * APPROVAL	

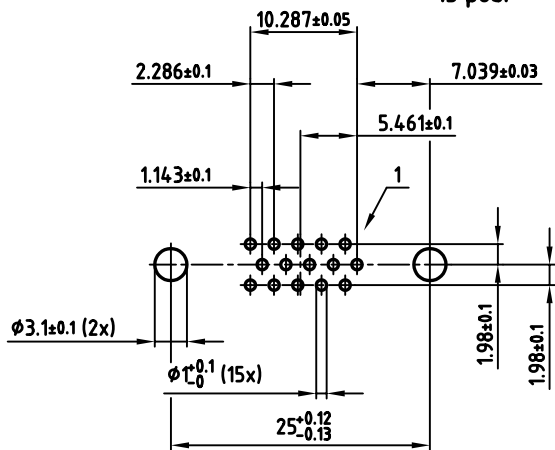
THIS DRAWING MAY NOT BE COPIED OR REPRODUCED IN ANY WAY, AND MAY NOT BE PASSED ON TO A THIRD PARTY, WITHOUT WRITTEN PERMISSION. OWNERSHIP AND COPYRIGHT OF CONEC GmbH DO NOT ALTER CAD DRAWING BY HAND

tolerance			scale: 2:1 (5:1)		
	dim. in mm		material: SEE NOTES		
2006	date	name	title:		
drawn	03.08.	Lehmenkühler	D-SUB HD FEMALE 15-62pos. SOLDER PIN STRAIGHT with threaded spacer clip		
appd.	03.08.	Kühle			
norm			dwg no: AutoCAD 2006		
d-old			16K2A676		
a	Origin			DIN-A 3	
rev.	description	date	name	sh:1/2	
			part no: SEE TABLE		

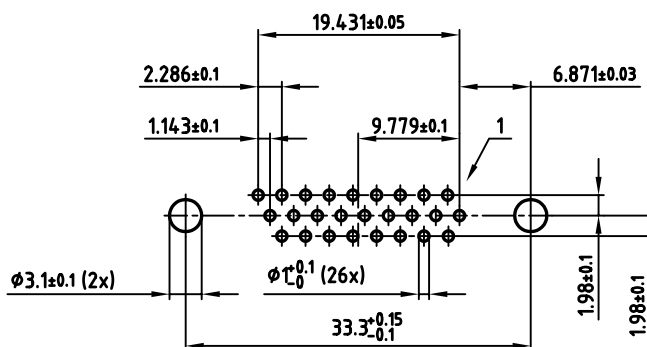
APPROVAL * FREIGABE * DEBLOCAGE * AUTORIZACION * APPROVAL	
CUSTOMER APPROVAL DATE:	
NAME:	TITLE:
COMPANY NAME:	
APPROVAL * FREIGABE * DEBLOCAGE * AUTORIZACION * APPROVAL	

used for: D-SUB HD

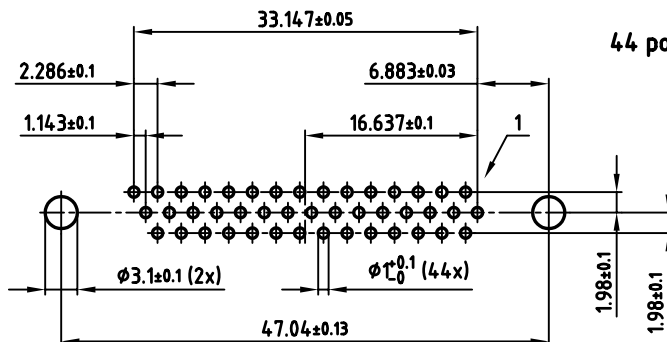
15 pos.



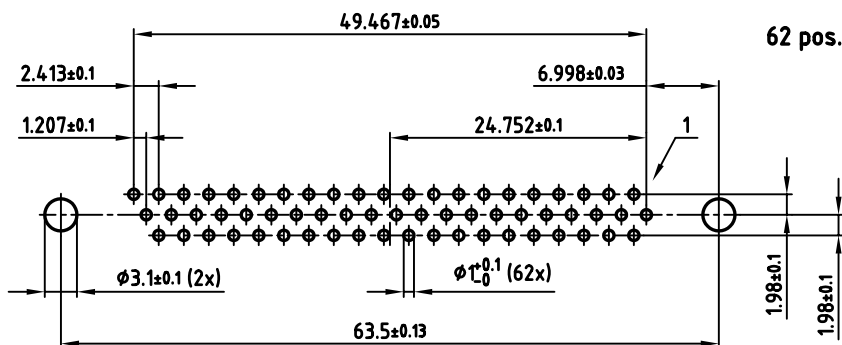
26 pos.



44 pos.



62 pos.



APPROVAL # FREIGABE # DEBLOCAGE # AUTORIZACION # APPROVAL

CUSTOMER APPROVAL DATE:

NAME: TITLE:

COMPANY NAME:

APPROVAL # FREIGABE # DEBLOCAGE # AUTORIZACION # APPROVAL

THIS DRAWING MAY NOT BE COPIED OR REPRODUCED IN ANY WAY, AND MAY NOT BE PASSED ON TO A THIRD PARTY, WITHOUT WRITTEN PERMISSION. OWNERSHIP AND COPYRIGHT OF CONEC GmbH DO NOT ALTER CAD DRAWING BY HAND

rev.	description	date	name
a	Origin		

tolerance		scale:	2:1
	dim. in mm	material:	SEE SHEET 1
2006	date	name	
drawn	03.08.	Lehmenkühler	
appd.	03.08.	Kühle	
norm	DIN 41652		
d-old			

title: P.C.B. HOLE DRILLINGS
D-SUB HD FEMALE 15-62pos. SOLDER PIN with threaded spacer clip

dwg no: AutoCAD 2006 DIN-A 3 sh:2/2

16K2A676

part no: SEE SHEET 1

X-ON Electronics

Largest Supplier of Electrical and Electronic Components

Click to view similar products for [D-Sub High Density Connectors](#) category:

Click to view products by [CONEC](#) manufacturer:

Other Similar products are found below :

[97-3250-11](#) [163A17089X](#) [164A17199X](#) [164C18629X](#) [L717HDB44POL2R210](#) [L717HDEH15POL2](#) [L777HDE15P](#) [L77HDE15SC309](#)
[163A16759X](#) [163A16839X](#) [163A16989X](#) [163A17079X](#) [164A17329X](#) [164A18219X](#) [241A16440X](#) [241A16550X](#) [241A16680X](#)
[241A20810X](#) [241A25740X](#) [CT25-44P](#) [MDBE15PE766](#) [L177HDE15SOL2RM23](#) [L177HRC62SVFM](#) [L177HRCG62S](#)
[L717HDEG15POL2RM5](#) [L77HDA26SVF](#) [L77HDE15SD1CO](#) [L77HDEH15SOL2RM832](#) [DAMA-15S-WS](#) [443895-3](#) [106698-1](#) [280-](#)
[012K2C](#) [DBMV13H3SNA197](#) [L177HRB44S](#) [164A17039X](#) [09562004701510](#) [L777HRC62P](#) [241A17960X](#) [164A18269X](#) [280-019S1S9MEN](#)
[L777HDEG15P](#) [280-018P3S25MEGN](#) [206504-2](#) [40-9415HDSP](#) [40-9515HDSP](#) [2057140-1](#) [C115370-6002](#) [DFMA104SNMBFR172FR022](#)
[HDC9F200E2S](#) [L717HDAG26POL2RM8](#)