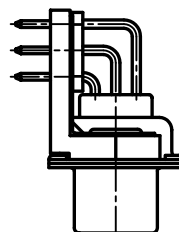
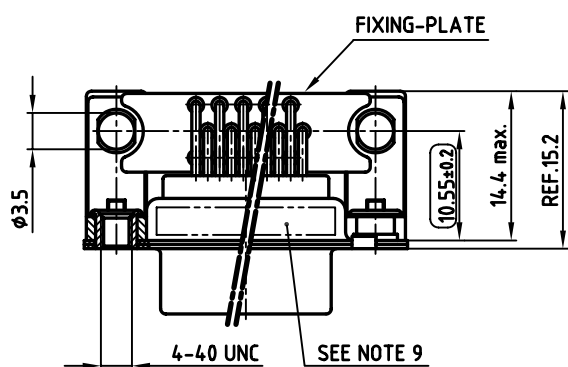
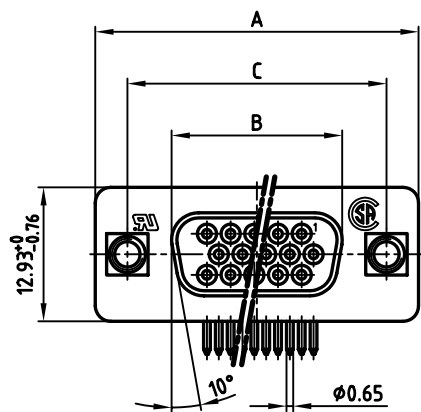
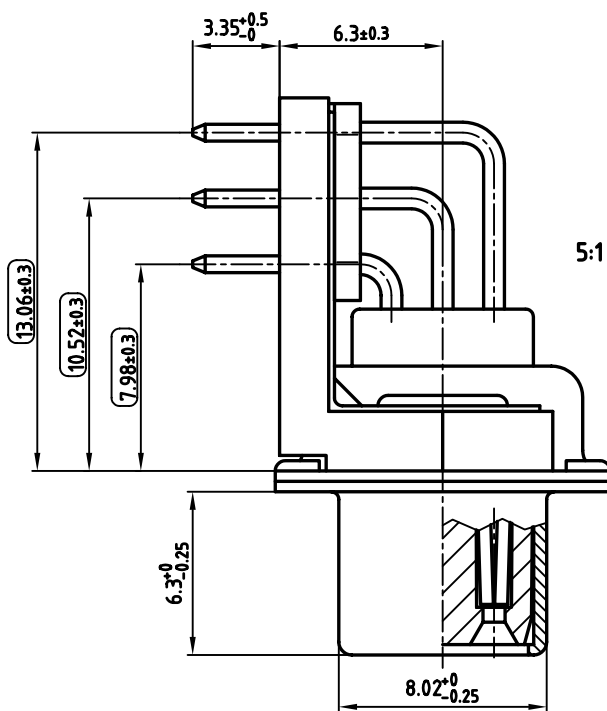


used for: D-SUB

POS.	A <sup>-0.76</sup>	B <sup>-0.25</sup>	C <sup>+0.12 -0.13</sup>	Part NO.
15	31.19	16.46	25.00	164A18019X
26	39.52	24.79	33.30 <sup>+0.15 -0.1</sup>	164A18029X
44	53.42	38.50	47.04 <sup>±0.13</sup>	164A18039X
62	69.70	54.96	63.50 <sup>±0.13</sup>	164A18049X



**NOTES:**

- METALSHELLS: STEEL; min. 320µ" TIN
- INSULATORS: PBT GF UL 94 V-0, BLACK
- CONTACTS: COPPER ALLOY  
PLATING: 8µ" HARD GOLD OVER min. 50µ" NICKEL
- MOUNTING BRACKET: PBT GF UL 94 V-0, BLACK
- THREADED INSERT: COPPER ALLOY; min. 200µ" TIN OVER 80µ" NICKEL
- FIXING-PLATE: PBT GF UL 94 V-0, BLACK
- P.C.B. HOLE DRILLINGS ON DRAWING NO.: 16V11H6B
- MAXIMUM TORQUE VALUE FOR THREAD: 6" LBS
- CONNECTOR IS PART MARKED: PART-NO. CONEC ABC
- = CHECK DIMENSION

APPROVAL # FREIGABE # DEBLOCAGE # AUTORIZACION # APPROVAL

CUSTOMER APPROVAL DATE:

NAME: TITLE:

COMPANY NAME:

APPROVAL # FREIGABE # DEBLOCAGE # AUTORIZACION # APPROVAL

THIS DRAWING MAY NOT BE COPIED OR REPRODUCED IN ANY WAY, AND MAY NOT BE PASSED ON TO A THIRD PARTY, WITHOUT WRITTEN PERMISSION. OWNERSHIP AND COPYRIGHT OF CONEC GmbH DO NOT ALTER CAD DRAWING BY HAND

rev.	description	date	name

tolerance dim. in mm

scale: 2:1 (5:1)

material: SEE NOTES

title: D-SUB HD FEMALE 90°  
15-62pos. 0.350inch  
threaded insert, mounting + grounding bracket

dwg no: AutoCAD 2004 DIN-A  
3 sh:1/1

part no: SEE TABLE

**CONEC**

## X-ON Electronics

Largest Supplier of Electrical and Electronic Components

*Click to view similar products for [D-Sub High Density Connectors](#) category:*

*Click to view products by [CONEC](#) manufacturer:*

Other Similar products are found below :

[97-3250-11](#) [163A17089X](#) [164A17199X](#) [164C18629X](#) [L717HDB44POL2R210](#) [L717HDEH15POL2](#) [L777HDE15P](#) [L77HDE15SC309](#)  
[163A16759X](#) [163A16839X](#) [163A16989X](#) [163A17079X](#) [164A17329X](#) [164A18219X](#) [241A16440X](#) [241A16550X](#) [241A16680X](#)  
[241A20810X](#) [241A25740X](#) [CT25-44P](#) [MDBE15PE766](#) [L177HDE15SOL2RM23](#) [L177HRC62SVFM](#) [L177HRCG62S](#)  
[L717HDEG15POL2RM5](#) [L77HDA26SVF](#) [L77HDE15SD1CO](#) [L77HDEH15SOL2RM832](#) [DAMA-15S-WS](#) [443895-3](#) [106698-1](#) [280-](#)  
[012K2C](#) [DBMV13H3SNA197](#) [L177HRB44S](#) [164A17039X](#) [09562004701510](#) [L777HRC62P](#) [241A17960X](#) [164A18269X](#) [280-019S1S9MEN](#)  
[L777HDEG15P](#) [280-018P3S25MEGN](#) [206504-2](#) [40-9515HDSP](#) [2057140-1](#) [C115370-6002](#) [DFMA104SNMBFR172FR022](#) [HDC9F200E2S](#)  
[L717HDAG26POL2RM8](#) [241A28180X](#)