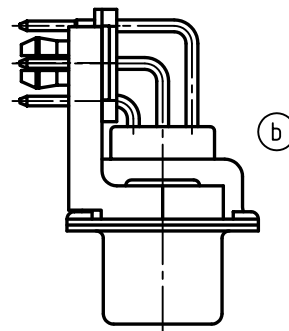
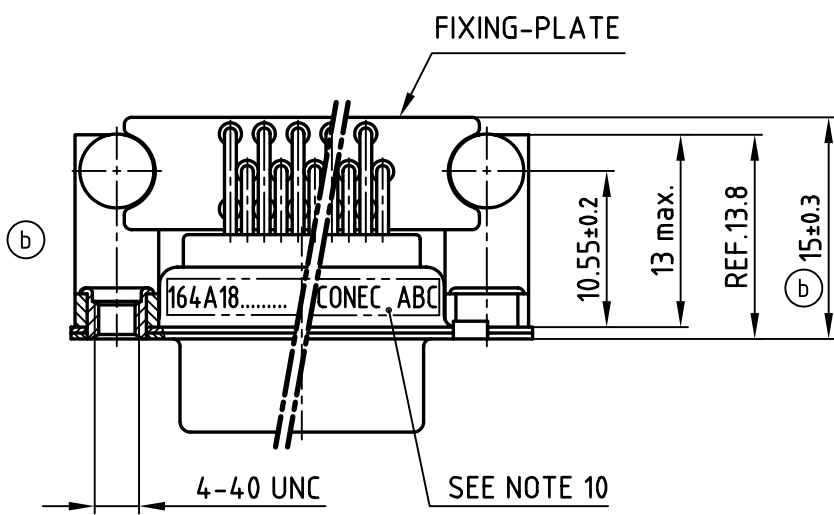
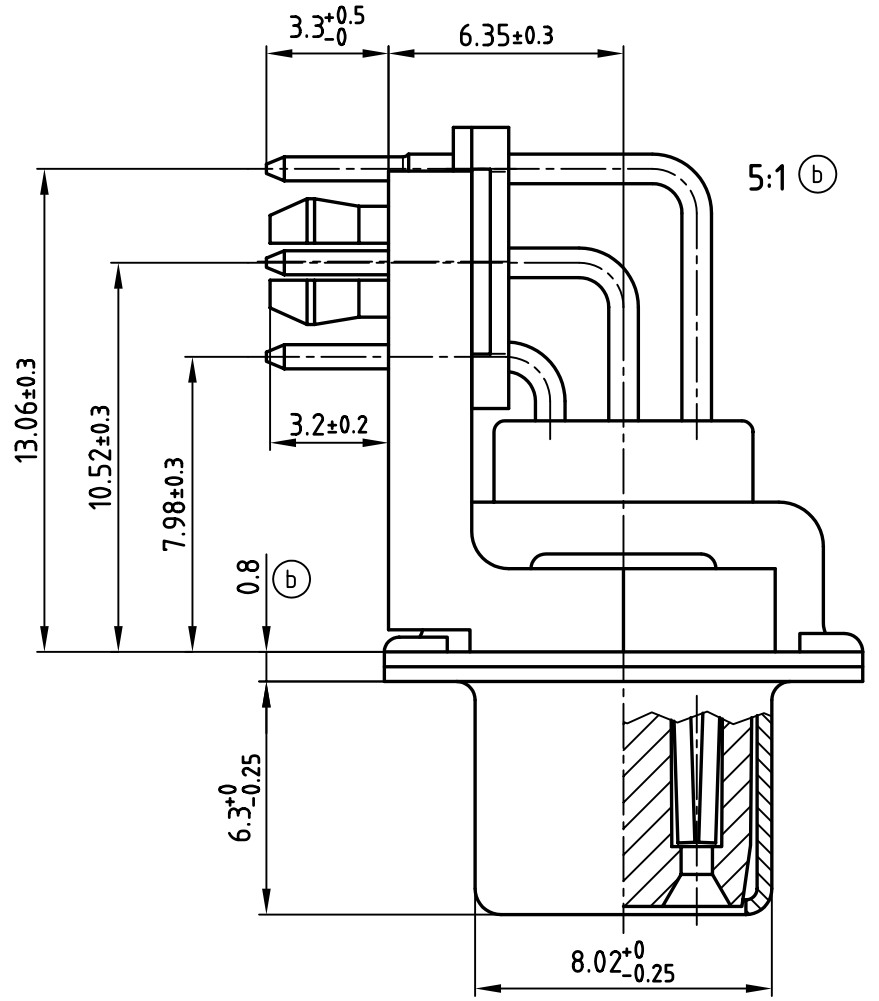
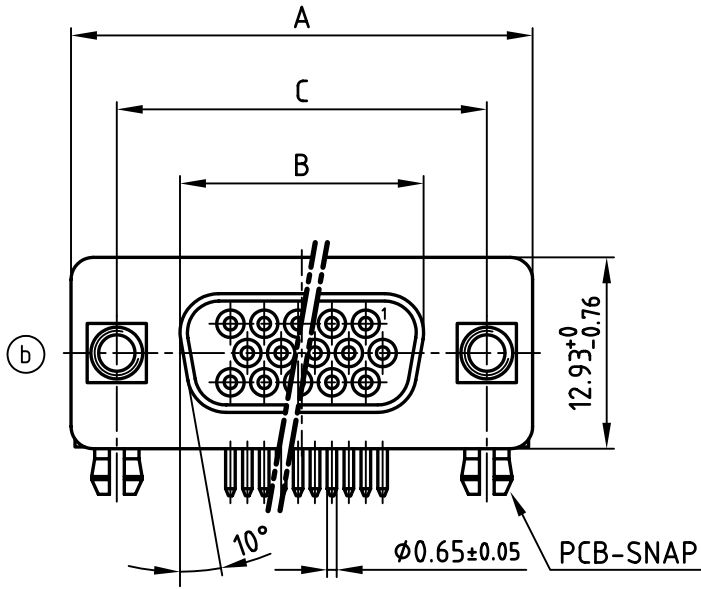


used for: D-SUB HD

POS.	A -0.76	B -0.25	C	Part NO.
26	39.52	24.79	33.30 $\begin{smallmatrix} +0.15 \\ -0.1 \end{smallmatrix}$	164A18189X
44	53.42	38.50	47.04 $\pm 0.13$	164A18199X
62	69.70	54.96	63.50 $\pm 0.13$	164A18209X



(b) NOTES:

- METALSHELLS: STEEL; min. 315µm TIN over 40-80µm NICKEL
- INSULATORS: PBT GF UL 94 V-0; BLACK
- CONTACTS: COPPER ALLOY  
PLATING: 8µm HARD GOLD over min. 50µm NICKEL
- METAL BRACKETS: ZINC DIE CAST; 300µm COPPER/40-120µm NICKEL/120-200µm TIN
- THREADED INSERTS: COPPER ALLOY; min. 200µm TIN over 80µm NICKEL
- PCB-SNAPS: COPPER ALLOY; min. 200µm TIN over 80µm NICKEL  
PCB-HOLE: φ3.1±0.1; PCB THICKNESS 1.6mm
- FIXING-PLATE: PBT GF UL 94 V-0; BLACK
- P.C.B. HOLE DRILLINGS ON SHEET 2
- MAXIMUM TORQUE VALUE FOR THREAD: 6 in.LB
- CONNECTOR IS PART MARKED: PART-NO. CONEC ABC



APPROVAL # FREIGABE # DEBLOCAGE # AUTORIZACION # APPROVAL	
CUSTOMER APPROVAL DATE:	
NAME:	TITLE:
COMPANY NAME:	
APPROVAL # FREIGABE # DEBLOCAGE # AUTORIZACION # APPROVAL	

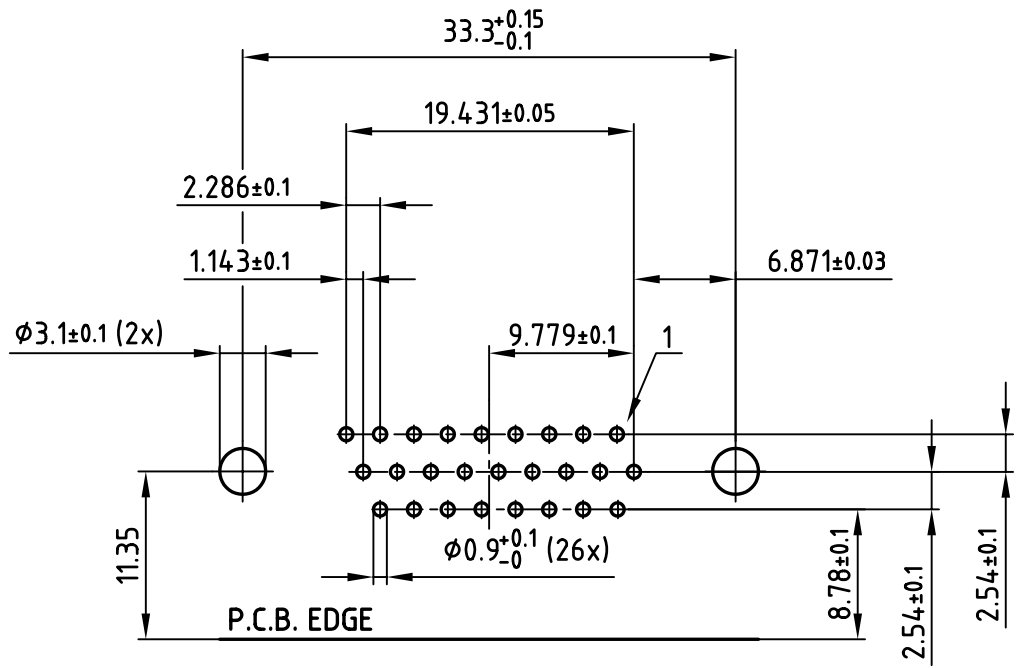
THIS DRAWING MAY NOT BE COPIED OR REPRODUCED IN ANY WAY, AND MAY NOT BE PASSED ON TO A THIRD PARTY WITHOUT WRITTEN PERMISSION.  
OWNERSHIP AND COPYRIGHT OF CONEC GmbH  
DO NOT ALTER CAD DRAWING BY HAND

rev.	description	date	name
2 x c	Ä 3543	14.01.2010	Lehmen
8 x b	Ä 3524	10.12.2009	Lehmen
a	Origin		

tolerance		dim. in mm	scale:	2:1 (5:1)
			material:	SEE NOTES
2001	date	name	title: <b>D-SUB HD FEMALE 90°</b> Ⓢ 26-62pos. 0.350inch thread insert, metal bracket, fixing-plate, snap	
drawn	22.11.	Parei		
appd.	22.11.	Resonnek		
norm			DIN 41652	
d-old				
			dwg no: AutoCAD 2006 <b>16K1A375A</b> part no: SEE TABLE	

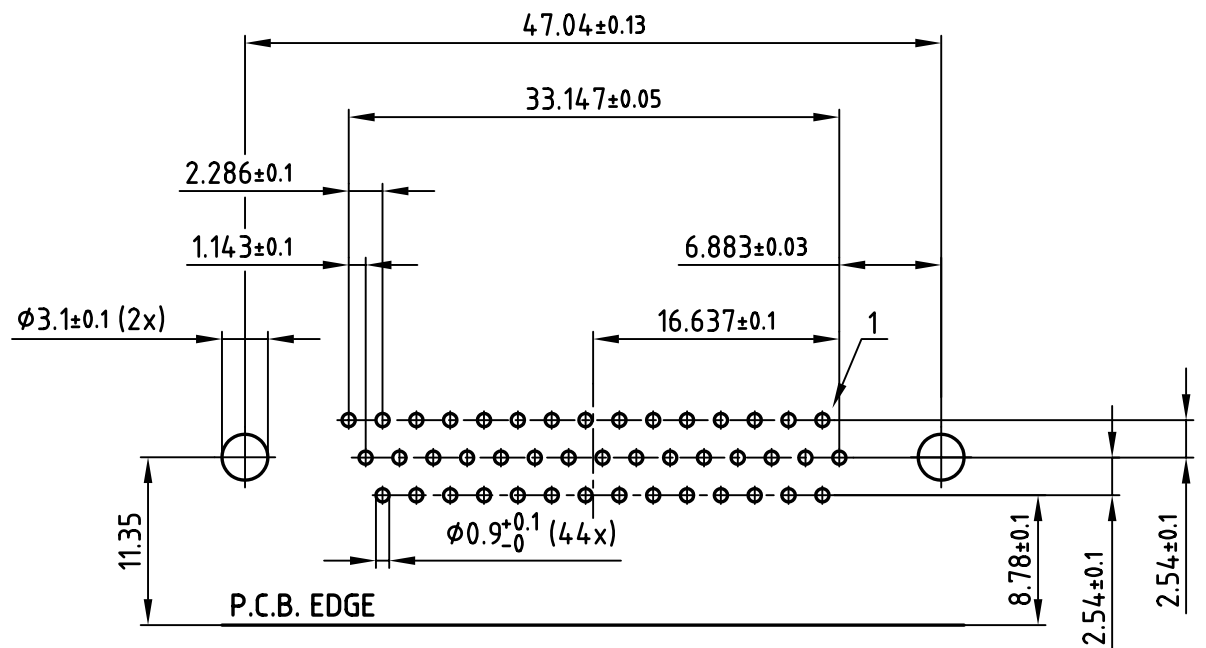
dwg no: AutoCAD 2006		DIN-A
16K1A375A		3
part no: SEE TABLE		(b) sh:1/2

used for: D-SUB HD

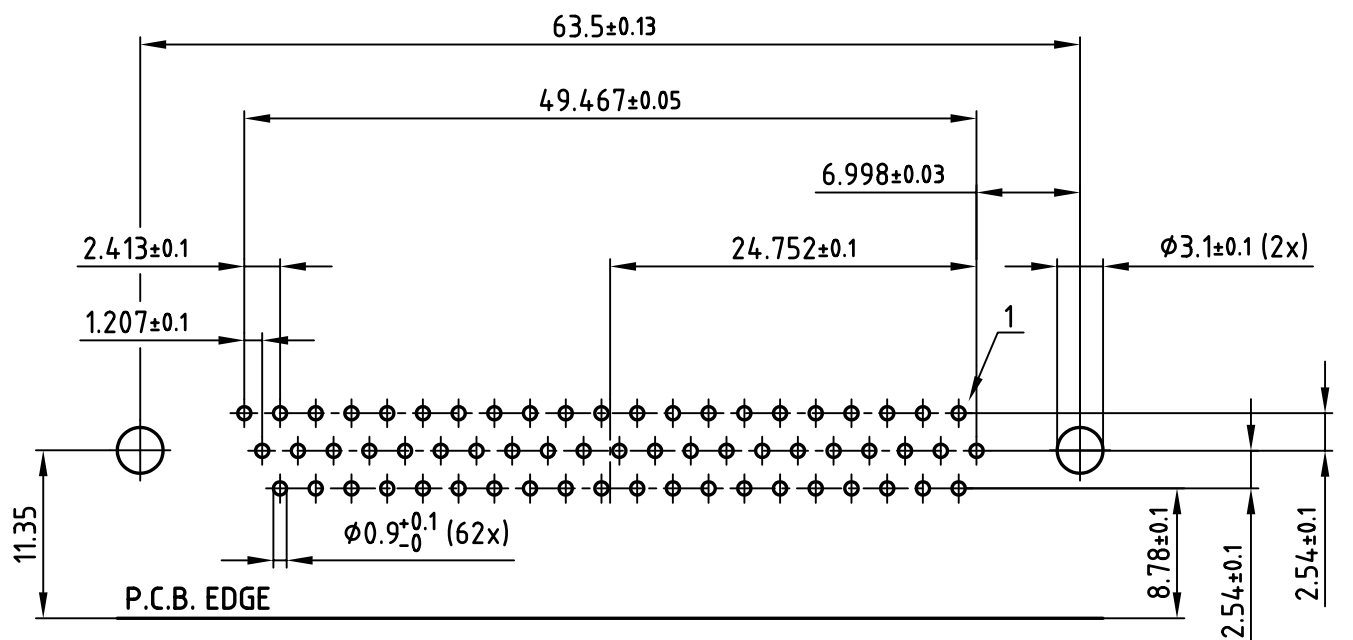


26pos.

P.C.B. HOLE DRILLINGS  
( P.C.B. TOP SIDE )



44pos.



62pos.

APPROVAL # FREIGABE # DEBLOCAGE # AUTORIZACION # APPROVAL	
CUSTOMER APPROVAL DATE:	
NAME:	TITLE:
COMPANY NAME:	
APPROVAL # FREIGABE # DEBLOCAGE # AUTORIZACION # APPROVAL	

THIS DRAWING MAY NOT BE COPIED OR REPRODUCED IN ANY WAY, AND MAY NOT BE PASSED ON TO A THIRD PARTY WITHOUT WRITTEN PERMISSION.  
OWNERSHIP AND COPYRIGHT OF CONEC GmbH  
DO NOT ALTER CAD DRAWING BY HAND

tolerance		dim. in mm	
2009	date	name	
drawn	10.12.	Lehmenkühler	
appd.	10.12.	Fischer	
norm			
d-old			
1 x c	Ä 3543	14.01.2010	Lehmen
a	Origin		
rev.	description	date	name



scale:	2:1	
material:	SEE SHEET 1	
title:	© P.C.B. HOLE DRILLINGS D-SUB HD FEMALE 90° 26-62pos. 0.350inch thread insert, metal bracket, fixing-plate, snap	
dwg no:	AutoCAD 2006	DIN-A
	16K1A375A	3
part no:	SEE SHEET 1	
		sh:2/2

## X-ON Electronics

Largest Supplier of Electrical and Electronic Components

*Click to view similar products for [D-Sub High Density Connectors](#) category:*

*Click to view products by [CONEC](#) manufacturer:*

Other Similar products are found below :

[97-3250-11](#) [163A17089X](#) [164A17199X](#) [164C18629X](#) [L717HDB44POL2R210](#) [L717HDEH15POL2](#) [L777HDE15P](#) [L77HDE15SC309](#)  
[163A16759X](#) [163A16839X](#) [163A16989X](#) [163A17079X](#) [164A17329X](#) [164A18219X](#) [241A16440X](#) [241A16550X](#) [241A16680X](#)  
[241A20810X](#) [241A25740X](#) [CT25-44P](#) [MDBE15PE766](#) [L177HDE15SOL2RM23](#) [L177HRC62SVFM](#) [L177HRCG62S](#)  
[L717HDEG15POL2RM5](#) [L77HDA26SVF](#) [L77HDE15SD1CO](#) [L77HDEH15SOL2RM832](#) [DAMA-15S-WS](#) [443895-3](#) [106698-1](#) [280-](#)  
[012K2C](#) [DBMV13H3SNA197](#) [L177HRB44S](#) [164A17039X](#) [09562004701510](#) [L777HRC62P](#) [241A17960X](#) [164A18269X](#) [280-019S1S9MEN](#)  
[L777HDEG15P](#) [280-018P3S25MEGN](#) [206504-2](#) [40-9415HDSP](#) [40-9515HDSP](#) [2057140-1](#) [C115370-6002](#) [DFMA104SNMBFR172FR022](#)  
[HDC9F200E2S](#) [L717HDAG26POL2RM8](#)