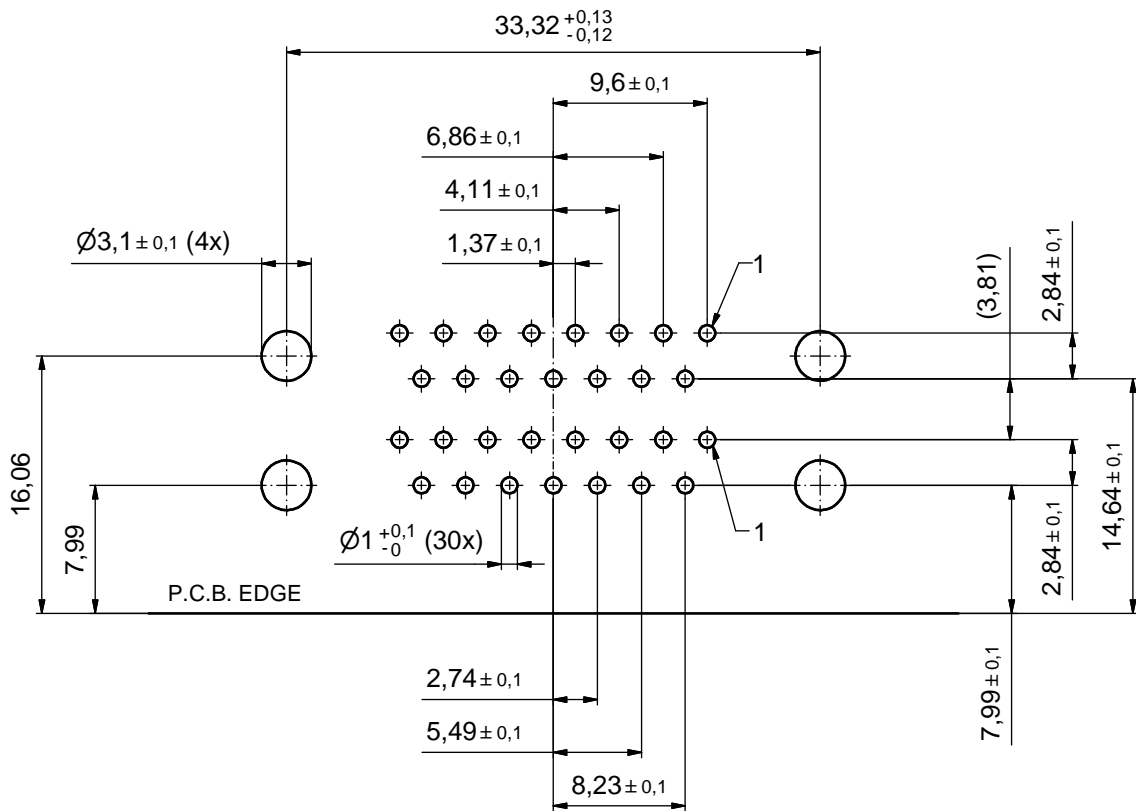


**NOTES:**

- METALSHELLS: STEEL; min. 315µm TIN over 40-80µm NICKEL
- INSULATORS: PBT GF UL 94 V-0, BLACK
- CONTACTS: COPPER ALLOY; PLATING (SEE PART NO):  
 PLEASE ADD A for GOLD FLASH over NICKEL (PREFERRED TYPE)  
 PLEASE ADD B for 20µm HARD GOLD over min. 50µm NICKEL  
 PLEASE ADD C for 30µm HARD GOLD over min. 50µm NICKEL
- METAL BRACKETS:  
 ZINC DIE CAST; 300µm COPPER/40-120µm NICKEL/120-200µm TIN
- THREADED INSERTS: COPPER ALLOY; min. 200µm TIN over 80µm NICKEL
- FIXING PLATE: PBT GF UL 94 V-0, BLACK
- PCB-SNAPS: COPPER ALLOY; min. 200µm TIN over 80µm NICKEL  
 PCB-HOLE:  $\phi 3,1 \pm 0,1$ mm; PCB-THICKNESS: 1,6mm
- P.C.B. HOLE DRILLINGS ON SHEET 2
- MAXIMUM TORQUE VALUE FOR THREAD: 6 in.LB
- CONNECTOR IS PART MARKET: 164□19929X CONEC ABC

Directive 2002/95/EC RoHS compliant

THIS DRAWING MAY NOT BE COPIED OR REPRODUCED IN ANY WAY, AND MAY NOT BE PASSED ON TO A THIRD PARTY WITHOUT WRITTEN PERMISSION. OWNERSHIP AND COPYRIGHT OF CONEC GmbH DO NOT ALTER CAD DRAWING BY HAND				tolerance		dim. in mm	scale: 2:1				
							material: see notes				
						date	name		title: <b>D-SUB DUAL PORT 19,05mm</b> FEMALE / FEMALE 2x15pos. threaded insert, metal bracket, fixing plate, snap dwg no:		
						drawn	10.04.13 Schmidt				
		appd.	10.04.13 Fischer								
		norm			part no: 164□19929X (see note3)						
		d-old	16K1A543 / 16K11MGA								
1 x b	A4717	10.04.13	HS			DIN-A3 sh: 1					
a	Original										
rev.	description	date	name								



P.C.B. HOLE DRILLINGS  
(P.C.B. TOP SIDE)

THIS DRAWING MAY NOT BE COPIED OR REPRODUCED IN ANY WAY, AND MAY NOT BE PASSED ON TO A THIRD PARTY WITHOUT WRITTEN PERMISSION. OWNERSHIP AND COPYRIGHT OF CONEC GmbH DO NOT ALTER CAD DRAWING BY HAND				tolerance		scale: 3:1	
				dim. in mm		material: see sheet 1	
				date	name	title: <b>P.C.B. HOLE DRILLINGS</b> D-SUB DUAL PORT 19,05mm FEMALE / FEMALE 2x15pos.	
				drawn	10.04.13 Schmidt		
				appd.	10.04.13 Fischer		
				norm			
				d-old	see sheet 1	dwg no:	
	a	Original		<b>CONEC</b> <sup>®</sup>		16K1A3220	DIN-A3
	rev.	description	date			name	part no: see sheet 1

## X-ON Electronics

Largest Supplier of Electrical and Electronic Components

*Click to view similar products for [D-Sub Standard Connectors](#) category:*

*Click to view products by [CONEC](#) manufacturer:*

Other Similar products are found below :

[56F711-015](#) [012-9507-004](#) [LV242999-142T12](#) [015-0341-000](#) [015-0349-000](#) [015-0372-005](#) [015-0372-008](#) [015-8755-001](#) [020419-0104](#) [012-0467-000](#) [012-0515-000](#) [012-9507-034](#) [012-9507-114](#) [020745-0008](#) [609-25P](#) [M24308/2-23Z](#) [M24308315F](#) [CT2-14S-2PCA34](#) [CT2-18-11PCAU](#) [CT2-36-15SC](#) [CT6-14S-2SC](#) [CT6E14SA7SC](#) [CT6E22-14PC](#) [CT6E22-14PS](#) [CT6E22-22PS](#) [M83513/01-FC](#) [M85049/48-3-2F](#) [6STD09PCM99B70X](#) [6STD09SCM99B30X](#) [6STD09SCT99S40X](#) [6STD15PCT99S40X](#) [6STD15SCM99B30X](#) [6STD15SCT99S40X](#) [6STF09PCM05B70X](#) [7-135760-9](#) [MC11E-10-6SN](#) [747552-3](#) [MD1-21PS](#) [MDM-15SCBRM7-F222](#) [MDM96517-699](#) [MDM96521-744](#) [MDVB1-21SL1](#) [MIK0-1-7SH003](#) [MIKQ6-7SH076](#) [MIKQ7-7PH077](#) [MIKQ7-7PH11](#) [MIKQ7-7PH32](#) [MIKQ9-7PH003](#) [MJSV-28SL61](#) [MKJ4A1F14-55S](#)