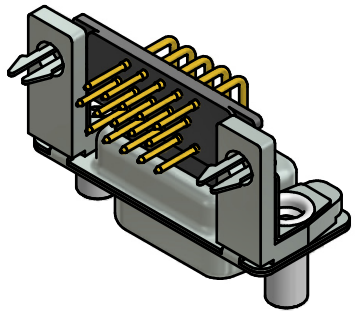


- NOTES:**
- METALSHELLS: STEEL; min. 315µin TIN over 40-80µin NICKEL
 - INSULATORS: PBT GF UL 94 V-0, BLACK
 - CONTACTS: COPPER ALLOY; PLATING (SEE PART NO.):
 - PLEASE ADD A for GOLD FLASH over NICKEL (PREFERRED TYPE)
 - PLEASE ADD B for 20µin HARD GOLD over min. 50µin NICKEL
 - PLEASE ADD C for 30µin HARD GOLD over min. 50µin NICKEL
 - PLEASE ADD J for 50µin HARD GOLD over min. 50µin NICKEL
 - MOUNTING BRACKETS: PBT GF UL 94 V-0; BLACK
 - THREADED LOCKS: COPPER ALLOY; min. 200µin TIN over 80µin NICKEL
 - GROUNDING CLIPS: COPPER ALLOY; min. 200µin TIN over 80µin NICKEL
PCB-HOLE: $\varnothing 3,1 \pm 0,1$ mm; PCB-THICKNESS: 1,6mm
 - FIXING PLATE: PBT GF UL 94 V-0; BLACK
 - MAXIMUM TORQUE VALUE FOR THREAD: 6 in.LB
 - CONNECTOR IS PART MARKED: 164□21009X CONEC ABC (see note 3)



RoHS compliant

THIS DRAWING MAY NOT BE COPIED OR REPRODUCED IN ANY WAY, AND MAY NOT BE PASSED ON TO A THIRD PARTY WITHOUT WRITTEN PERMISSION. OWNERSHIP AND COPYRIGHT OF CONEC GmbH DO NOT ALTER CAD DRAWING BY HAND	tolerance			dim. in mm	scale: 2:1 (5:1)	
					material: SEE NOTES	
	drawn	08.01.15	Henneboel	title:		
	appd.	08.01.15	Lehmenkühler	D-SUB HD FEMALE 90°		
	norm			15pos. SOLDER PIN ANGLED 0.350inch thread lock, mounting bracket and grounding clip		
d-old	16K2A2066		dwg no:		DIN-A3	
4 x b	Ä5482	08.01.2015	K.H.			
a	Original			(b) 16K1A3571		
rev.	description	date	name	part no: (b) 164□21009X (see note 3)		

X-ON Electronics

Largest Supplier of Electrical and Electronic Components

Click to view similar products for [D-Sub High Density Connectors](#) category:

Click to view products by [CONEC](#) manufacturer:

Other Similar products are found below :

[97-3250-11](#) [163A17089X](#) [164A17199X](#) [164C18629X](#) [L717HDB44POL2R210](#) [L717HDEH15POL2](#) [L777HDE15P](#) [L77HDE15SC309](#)
[163A16759X](#) [163A16839X](#) [163A16989X](#) [163A17079X](#) [164A17329X](#) [164A18219X](#) [241A16440X](#) [241A16550X](#) [241A16680X](#)
[241A20810X](#) [241A25740X](#) [CT25-44P](#) [MDBE15PE766](#) [L177HDE15SOL2RM23](#) [L177HRC62SVFM](#) [L177HRCG62S](#)
[L717HDEG15POL2RM5](#) [L77HDA26SVF](#) [L77HDE15SD1CO](#) [L77HDEH15SOL2RM832](#) [DAMA-15S-WS](#) [443895-3](#) [106698-1](#) [280-](#)
[012K2C](#) [DBMV13H3SNA197](#) [L177HRB44S](#) [164A17039X](#) [09562004701510](#) [L777HRC62P](#) [241A17960X](#) [164A18269X](#) [280-019S1S9MEN](#)
[L777HDEG15P](#) [280-018P3S25MEGN](#) [206504-2](#) [40-9415HDSP](#) [40-9515HDSP](#) [2057140-1](#) [C115370-6002](#) [DFMA104SNMBFR172FR022](#)
[HDC9F200E2S](#) [L717HDAG26POL2RM8](#)