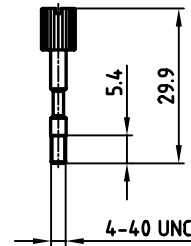
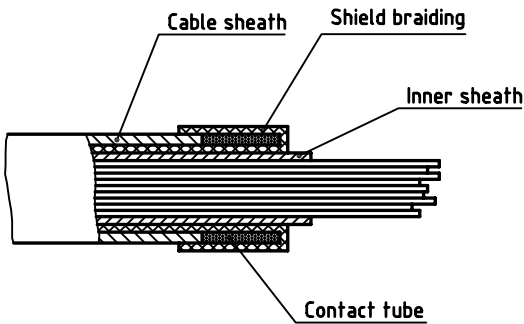
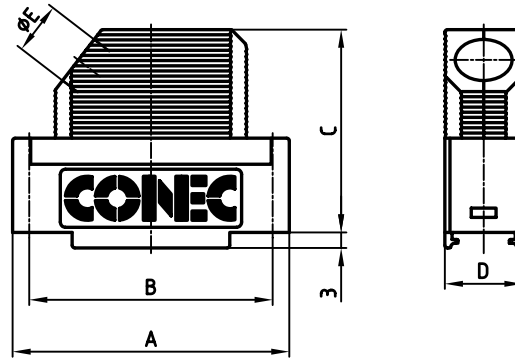
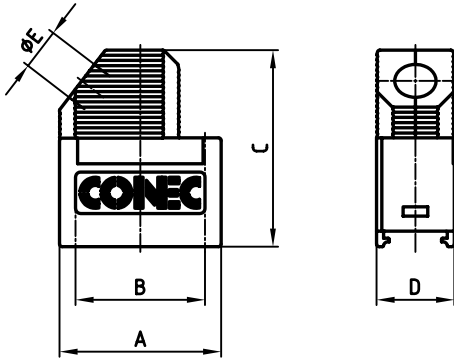


used for: D-SUB

9 way

15 - 50 way



Metal screw

No. of pos.	A	B	C	D	ØE	Part No.
9	31.30	25.0	35.15	15.0	8.0	165X00829A
15	39.62	33.3	39.15	15.0	9.0	165X00839A
25	53.52	47.0	39.15	15.0	11.0	165X00849A
37	69.80	63.5	39.15	15.0	11.0	165X00859A
50	67.41	61.1	39.15	19.0	14.5	165X00869A



NOTES:

- HOOD: PC GF 20 UL 94 V-0; BLACK
- METAL SCREW: STEEL; NICKEL PLATED
- CABLE CLAMP: Cu Ni Zn; NICKEL PLATED
- SCREW FOR CABLE CLAMP: STEEL; NICKEL PLATED

APPROVAL * FREIGABE * DEBLOCAGE * AUTORIZACION * APPROVAL

CUSTOMER APPROVAL DATE:

NAME: TITLE:

COMPANY NAME:

APPROVAL * FREIGABE * DEBLOCAGE * AUTORIZACION * APPROVAL

THIS DRAWING MAY NOT BE COPIED OR REPRODUCED IN ANY WAY, AND MAY NOT BE PASSED ON TO A THIRD PARTY, WITHOUT WRITTEN PERMISSION. OWNERSHIP AND COPYRIGHT OF CONEC GmbH DO NOT ALTER CAD DRAWING BY HAND

rev.	description	date	name
1 x b	Ä 2583	10.10.2006	Lehmen
a	Origin		

tolerance	dim. in mm
2002	date
drawn	22.05. Schmidt
appd.	22.05. E. Mickenbecker
norm	DIN 41652
d-old	

scale: 1:1

material: SEE NOTES

title: **PLASTIC HOOD**
9 - 50 pos.
unshielded version black with metal screw

dwg no: AutoCAD 2000 DIN-A 3 sh: 1/1

part no: SEE TABLE



X-ON Electronics

Largest Supplier of Electrical and Electronic Components

Click to view similar products for [D-Sub Backshells](#) category:

Click to view products by [CONEC](#) manufacturer:

Other Similar products are found below :

[M85049/6-38N](#) [M85049/86-12N03](#) [M85049/90-13P03](#) [70.350.0636.4](#) [70.350.2435.1](#) [72.350.1035.2](#) [72.352.2435.1](#) [73.359.4035.3](#) [829472-1](#)
[PCS-E20W](#) [970-015-040R011](#) [970-025-040R011](#) [971-009-030R121](#) [971-009-040R011](#) [971-015-040R011](#) [1437013-9](#) [1484402-8](#) [156-3025-](#)
[EX](#) [16-500800](#) [165X02659X](#) [165X03329A](#) [165X03399A](#) [165X10259X](#) [165X11759X](#) [165X11889X](#) [165X13019X](#) [165X13029X](#)
[165X13169X](#) [165X13199X](#) [165X13239X](#) [165X13389X](#) [165X13489X](#) [165X14219X](#) [165X14449X](#) [165X17409X](#) [165X17439X](#)
[165X17569X](#) [165X17599X](#) [165X17609X](#) [165X17889X](#) [165X17979X](#) [L171373](#) [971-025-030R121](#) [300X10989X](#) [165X02609X](#)
[165X02639X](#) [165X02689X](#) [165X04219A](#) [165X10469X](#) [165X11279X](#)