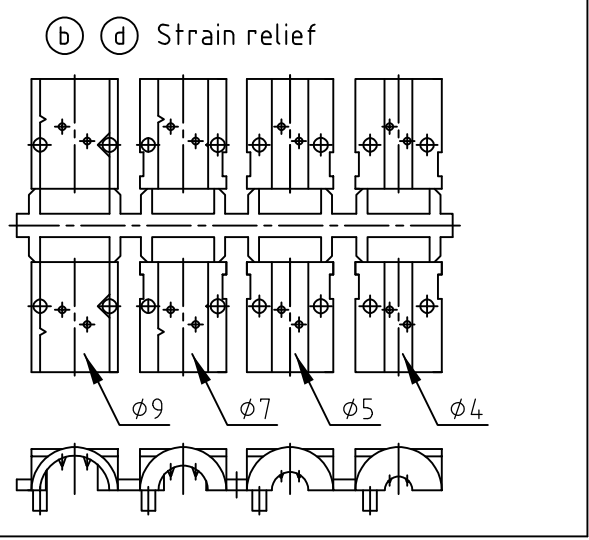
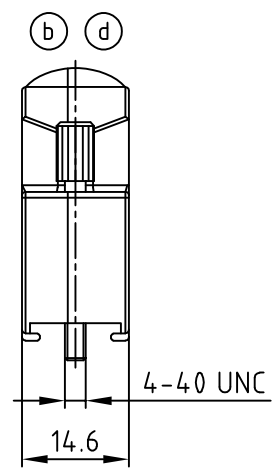
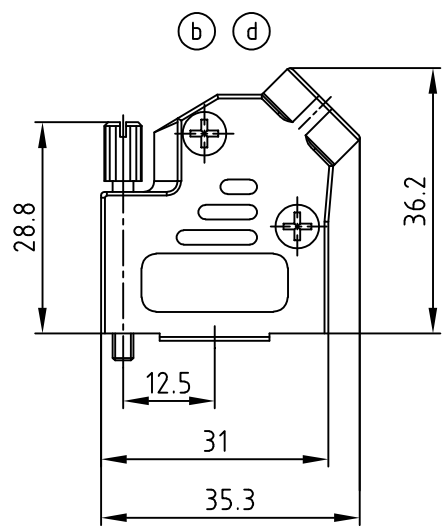


used for: D-SUB



(c)

(d) TECHNICAL DATA:

- 1. BACKSHELL HALVES: ZINC DIE-CAST; NICKEL PLATED
- 2. ASSEMBLY SCREWS: STEEL; TIN PLATED
- (e) 3. JACK SCREW: BRASS ALLOY; NICKEL PLATED
- 4. CABLE STRAIN RELIEF: PC
- 5. TEMPERATURE RANGE: -40°C to $+120^{\circ}\text{C}$
- 6. ATTENUATION FACTOR: $>40\text{dB}$ BETWEEN 30 MHz AND 2 GHz
- 7. ASSEMBLY INSTRUCTION SEE SHEET 2

RoHS compliant

(e)

THIS DRAWING MAY NOT BE COPIED OR REPRODUCED IN ANY WAY, AND MAY NOT BE PASSED ON TO A THIRD PARTY WITHOUT WRITTEN PERMISSION.
 OWNERSHIP AND COPYRIGHT OF CONEC GmbH
 DO NOT ALTER CAD DRAWING BY HAND

			tolerance				
2000	date	name					
drawn	02.10.	Parei					
2 x e	Ä 5748	03.08.2015	Unkrüer	appd.	02.10.	Resonnek	
5 x d	Ä 4171	02.01.2012	Lehmen.	norm			
2 x c	Ä 2754	23.07.2007	Lehmen.	d-old			
3 x b	Ä 2480	06.04.2006	Lehmen.				
a	Original						
rev.	description	date	name				

scale:	1:1	
material:	SEE NOTES	
title:	METAL HOOD 9pos. EMI/RFI SHIELDING with side cable entry and jack screw 4-40 UNC	
dwg no:	AutoCAD	DIN-A
	16K1A058A	4
product no:	(d) (c) 165X02689X	sh:1/2

4

3

2

1

4

3

2

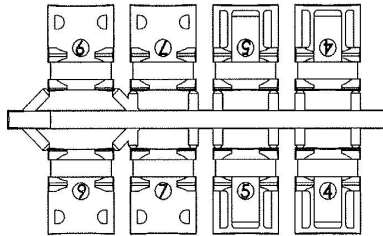
1

used for:

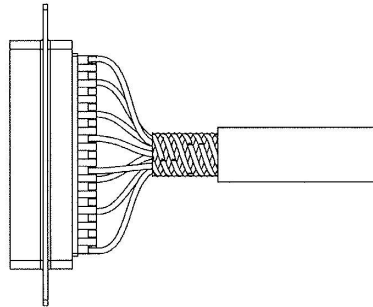
D-SUB

ASSEMBLY INSTRUCTION:

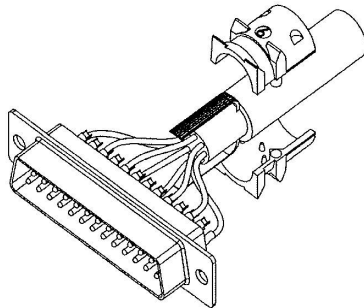
Use two halves of strain relief
different sizes can be mixed



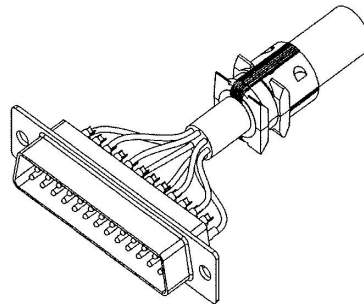
Strip cable 18mm and
shape cable to two pigtails



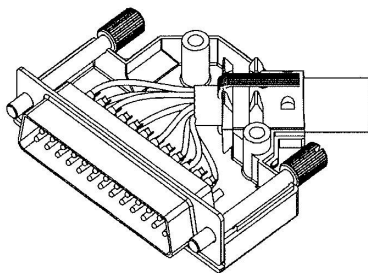
Attach the strain relief around the cable



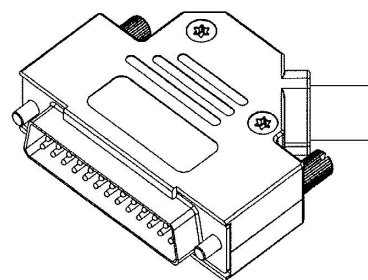
Bend cable shielding back
on outside of strain relief




Mount connector and cable
into the backshell



Assemble the other half
screwing force: 100-120 Ncm.



THIS DRAWING MAY NOT BE COPIED OR
REPRODUCED IN ANY WAY, AND MAY NOT
BE PASSED ON TO A THIRD PARTY WITHOUT
WRITTEN PERMISSION.
OWNERSHIP AND COPYRIGHT OF CONEC GmbH
DO NOT ALTER CAD DRAWING BY HAND

			tolerance		 dim. in mm
			2012	date	name
			drawn	02.01.	Lehmenkühler
			appd.	02.01.	Fischer
			norm		
			d-old		
a	Original		CONEC [®]		
rev.	description	date			

scale:	
material:	
title:	ASSEMBLY INSTRUCTION METAL HOOD 9pos. EMI/RFI SHIELDING with side cable entry and jack screw 4-40 UNC
dwg no:	16K1A058A
part no:	SEE SHEET 1

4

3

2

1

DIN-A
4
sh:2/2

X-ON Electronics

Largest Supplier of Electrical and Electronic Components

Click to view similar products for [D-Sub Backshells](#) category:

Click to view products by [CONEC](#) manufacturer:

Other Similar products are found below :

[M85049/6-38N](#) [M85049/86-12N03](#) [M85049/90-13P03](#) [70.350.0636.4](#) [70.350.2435.1](#) [72.350.1035.2](#) [72.352.2435.1](#) [73.359.4035.3](#) [829472-1](#)
[PCS-E20W](#) [970-015-040R011](#) [970-025-040R011](#) [971-009-030R121](#) [971-009-040R011](#) [971-015-040R011](#) [1437013-9](#) [1484402-8](#) [156-3025-](#)
[EX](#) [16-500800](#) [165X02659X](#) [165X03329A](#) [165X03399A](#) [165X10259X](#) [165X11759X](#) [165X11889X](#) [165X13019X](#) [165X13029X](#)
[165X13169X](#) [165X13199X](#) [165X13239X](#) [165X13389X](#) [165X13489X](#) [165X14219X](#) [165X14449X](#) [165X17409X](#) [165X17439X](#)
[165X17569X](#) [165X17599X](#) [165X17609X](#) [165X17889X](#) [165X17979X](#) [L171373](#) [971-025-030R121](#) [300X10989X](#) [165X02609X](#)
[165X02639X](#) [165X02689X](#) [165X04219A](#) [165X10469X](#) [165X11279X](#)