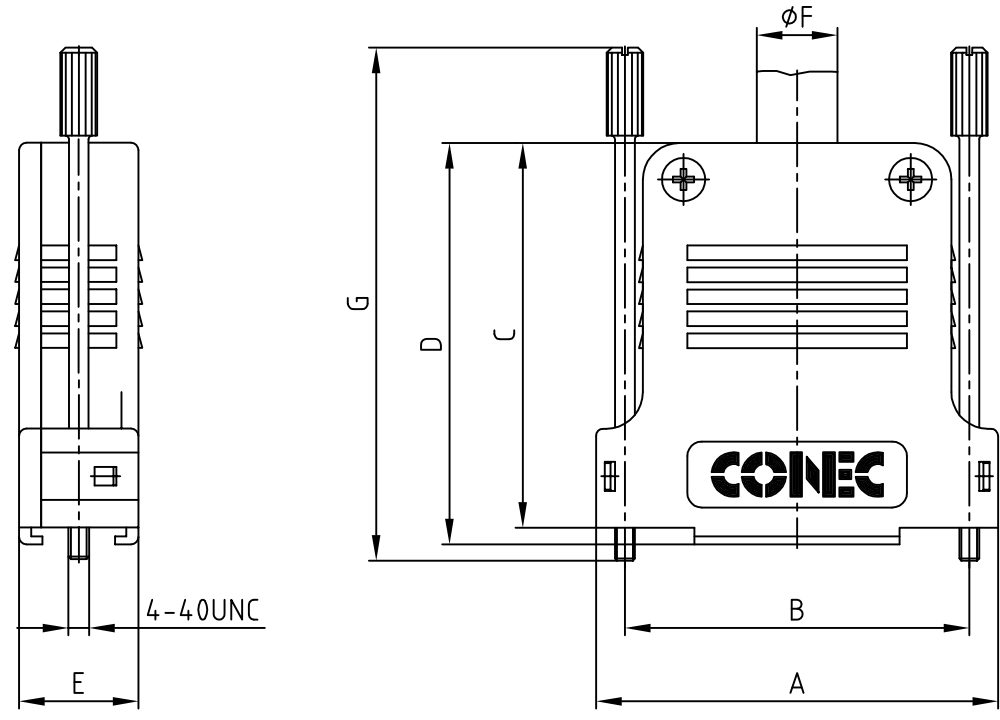


used for: D-SUB



POS.	A	B	C	D	E	ØF	G	Part NO. Bulk package	Part NO. Single package
9	32.9	25.0	39.5	41.8	16.3	11.0	60.0	165X03309A	165X03309AE
15	41.2	33.3	45.5	47.8	16.3	11.0	60.0	165X03319A	165X03319AE
25	54.9	47.0	52.5	54.8	16.3	12.0	70.0	165X03329A	165X03329AE
37	71.4	63.5	55.0	57.8	18.7	15.0	70.0	165X03339A	165X03339AE
50	69.0	61.1	55.0	57.8	19.5	14.0	70.0	165X03349A	165X03349AE

(b)

APPROVAL # FREIGABE # DEBLOCAGE # AUTORIZACION # APPROVAL

CUSTOMER APPROVAL DATE:

NAME: TITLE:

COMPANY NAME:

APPROVAL # FREIGABE # DEBLOCAGE # AUTORIZACION # APPROVAL

NOTES:

- (b) 1. MATERIAL: PBT UL 94 V-0; BLACK
- (b) 2. TEMPERATURE RANGE: -40 °C TO +125 °C
- 3. JACK SCREWS: STEEL; NICKEL PLATED

(b) Directive 2002/95/EC RoHS compliant

THIS DRAWING MAY NOT BE COPIED OR REPRODUCED IN ANY WAY, AND MAY NOT BE PASSED ON TO A THIRD PARTY WITHOUT WRITTEN PERMISSION. OWNERSHIP AND COPYRIGHT OF CONEC GmbH DO NOT ALTER CAD DRAWING BY HAND

tolerance		dim. in mm	
2003	date	name	
drawn	04.08.	Lehmenkühler	
appd.	04.08.	Mickenbecker	
norm			
d-old			
4 x b	Ä5307	25.08.2014	E.Mick.
a	Original		
rev.	description	date	name



scale:	1:1
material:	SEE NOTES
title:	PLASTIC HOOD 9-50pos. BIG SPACE INSIDE with straight cable exit and jack screws
dwg no:	AutoCAD 2000
	DIN-A
	4
	sh: 1/1
part no:	SEE TABLE

4 3 2 1

X-ON Electronics

Largest Supplier of Electrical and Electronic Components

Click to view similar products for [D-Sub Backshells](#) category:

Click to view products by [CONEC](#) manufacturer:

Other Similar products are found below :

[M85049/6-38N](#) [M85049/86-12N03](#) [M85049/90-13P03](#) [70.350.0636.4](#) [70.350.2435.1](#) [72.350.1035.2](#) [72.352.2435.1](#) [73.359.4035.3](#) [829472-1](#)
[PCS-E20W](#) [970-015-040R011](#) [970-025-040R011](#) [971-009-030R121](#) [971-009-040R011](#) [971-015-040R011](#) [1437013-9](#) [1484402-8](#) [156-3025-](#)
[EX](#) [16-500800](#) [165X02659X](#) [165X03329A](#) [165X03399A](#) [165X10259X](#) [165X11759X](#) [165X11889X](#) [165X13019X](#) [165X13029X](#)
[165X13169X](#) [165X13199X](#) [165X13239X](#) [165X13389X](#) [165X13489X](#) [165X14219X](#) [165X14449X](#) [165X17409X](#) [165X17439X](#)
[165X17569X](#) [165X17599X](#) [165X17609X](#) [165X17889X](#) [165X17979X](#) [L171373](#) [971-025-030R121](#) [300X10989X](#) [165X02609X](#)
[165X02689X](#) [165X04219A](#) [165X10469X](#) [165X11279X](#) [165X11789X](#)