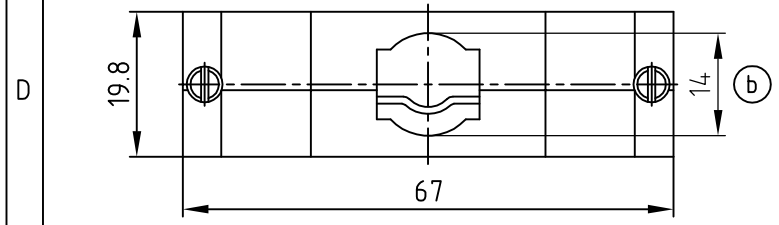
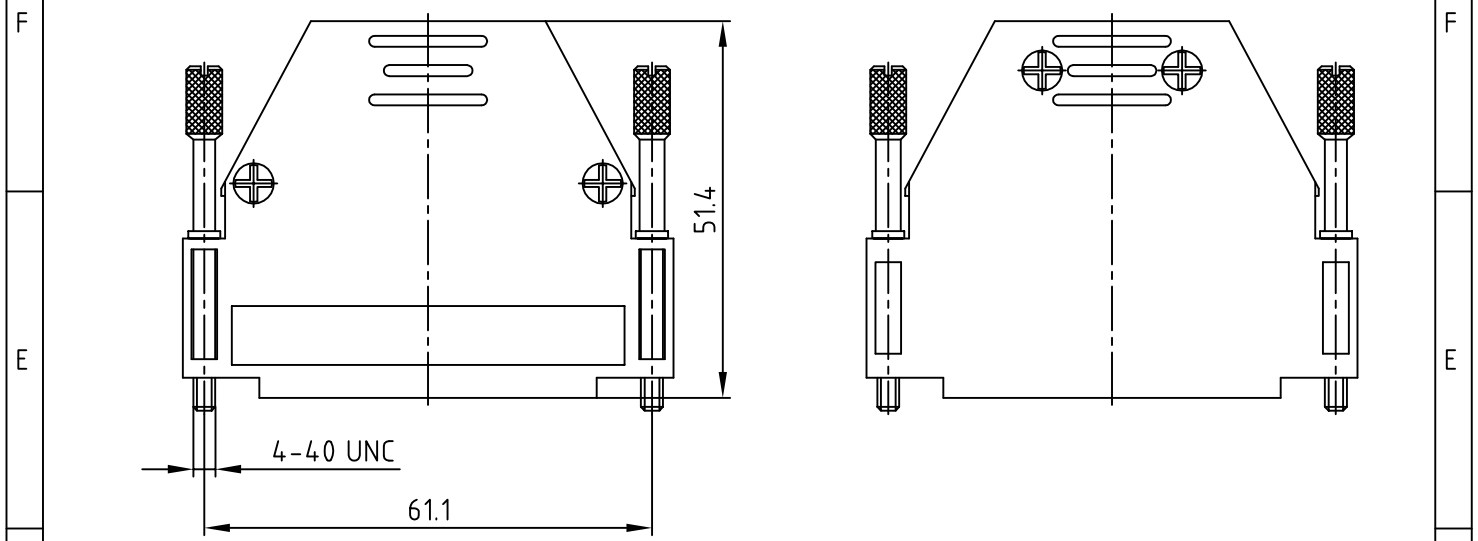


4 3 2 1

used for: D-SUB



Part No. Bulk package	Part No. Single package
165X10179X	165X10179XE

General tolerances			
size in mm			
> 0.5 up to 3	> 3 up to 6	> 6 up to 30	> 30 up to 120
tolerances			
±0.1	±0.2	±0.2	±0.3

NOTES:
 SELF CUTTING HOUSING SCREWS
 MATERIAL: ABS BLACK
 STRAIGHT CABLE OUTLET WITH PREASSEMBLED METAL STRAIN RELIEF
 TWO MOBILE ASSEMBLED SCREWS FOR FIXING THE COUNTERPART
 TEMPERATURE RANGE: -40°C TO +85°C

RoHS compliant

THIS DRAWING MAY NOT BE COPIED OR REPRODUCED IN ANY WAY, AND MAY NOT BE PASSED ON TO A THIRD PARTY WITHOUT WRITTEN PERMISSION.
 OWNERSHIP AND COPYRIGHT OF CONEC GmbH
 DO NOT ALTER CAD DRAWING BY HAND

tolerance SEE TABLE		dim. in mm	
2009	date	name	
drawn	31.08.	Lehmenkühler	
appd.	31.08.	Koch	
norm			
d-old			
1 x b	Ä5676	11.06.2015	K.H.
a	Original		
rev.	description	date	name



scale:	1:1
material:	SEE NOTES
title:	PLASTIC HOOD 50pos. with straight cable exit, jack screws
dwg no:	16K1A2534
part no:	SEE TABLE
	DIN-A 4 sh: 1/1

4 3 2 1

X-ON Electronics

Largest Supplier of Electrical and Electronic Components

Click to view similar products for [D-Sub Backshells](#) category:

Click to view products by [CONEC](#) manufacturer:

Other Similar products are found below :

[M85049/6-38N](#) [M85049/86-12N03](#) [M85049/90-13P03](#) [70.350.0636.4](#) [70.350.2435.1](#) [72.350.1035.2](#) [72.352.2435.1](#) [73.359.4035.3](#) [829472-1](#)
[PCS-E20W](#) [970-015-040R011](#) [970-025-040R011](#) [971-009-030R121](#) [971-009-040R011](#) [971-015-040R011](#) [1437013-9](#) [1484402-8](#) [156-3025-](#)
[EX](#) [16-500800](#) [165X02659X](#) [165X03329A](#) [165X03399A](#) [165X10259X](#) [165X11759X](#) [165X11889X](#) [165X13019X](#) [165X13029X](#)
[165X13169X](#) [165X13199X](#) [165X13239X](#) [165X13389X](#) [165X13489X](#) [165X14219X](#) [165X14449X](#) [165X17409X](#) [165X17439X](#)
[165X17569X](#) [165X17599X](#) [165X17609X](#) [165X17889X](#) [165X17979X](#) [L171373](#) [971-025-030R121](#) [300X10989X](#) [165X02609X](#)
[165X02689X](#) [165X04219A](#) [165X10469X](#) [165X11279X](#) [165X11789X](#)