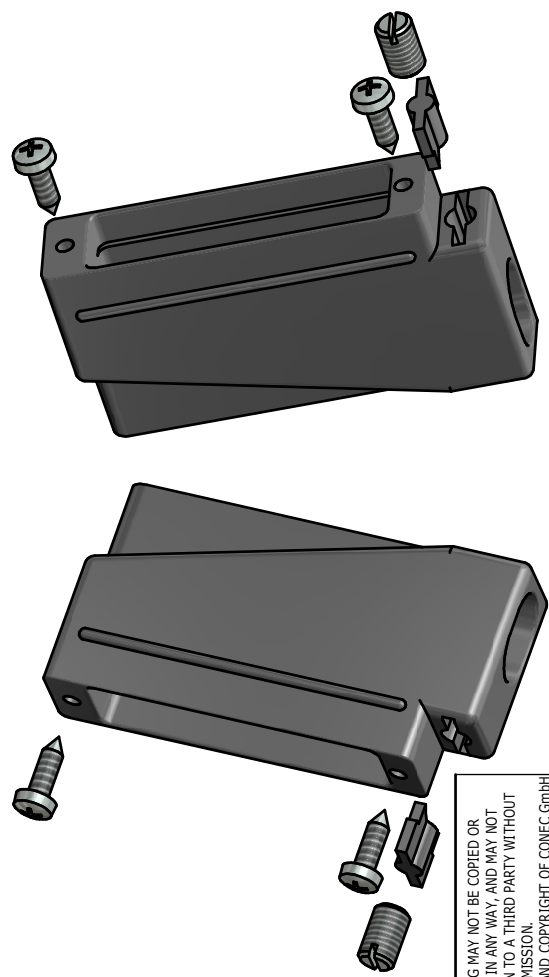
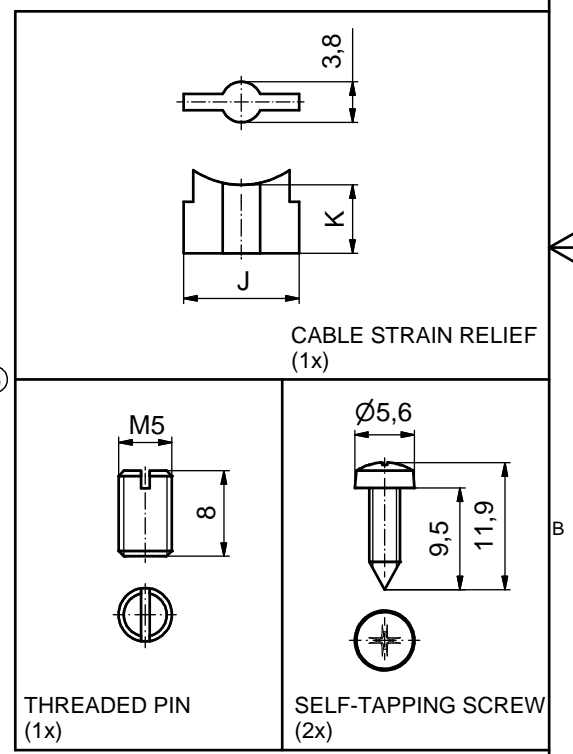


POS.	A	B	C	D	E	F	G	H	J	K	PART-NO.
9	30.9	25.0	25.4	7.1	---	---	12.7	14.3	10.8	5.0	165X10439X
15	39.3	33.3	25.4	9.1	---	---	12.7	14.3	10.8	5.0	165X10449X
25	53.2	47.0	31.7	---	12.5	9.1	12.7	14.3	10.8	6.4	165X10459X
37	69.4	63.5	38.1	---	17.6	9.1	12.7	14.3	10.8	11.0	165X10469X
50	67.1	61.1	38.1	---	18.6	11.9	15.5	17.0	13.8	11.4	165X10479X



- NOTES:**
- HOOD: POLYAMIDE 6 UL 94 V-0; BLACK
  - CABLE STRAIN RELIEF: POLYAMIDE 6 UL 94 V-0; BLACK
  - THREADED PIN: STEEL; ZINC PLATED
  - SELF-TAPPING SCREWS: STEEL; ZINC PLATED
  - OPERATING TEMPERATURE: -40°C to +125°C

Directive 2011/65/EU RoHS compliant

THIS DRAWING MAY NOT BE COPIED OR REPRODUCED IN ANY WAY, AND MAY NOT BE PASSED ON TO A THIRD PARTY WITHOUT WRITTEN PERMISSION. OWNERSHIP AND COPYRIGHT OF CONEC GmbH				tolerance		dim. in mm		scale: 2:1	
				date		name		material: SEE NOTES	
DO NOT ALTER CAD DRAWING BY HAND				drawn	25.10.95	Barcinski		title: <b>D-SUB PLASTIC HOOD</b> SIDE CABLE ENTRY 9-50pos.	
				appd.	25.10.95	Mickenbecker			
				norm					
				d-old			dwg no:		
5 x b				Ä5400	22.10.2014	Lehm.	16V11P5A		DIN-A3
a				Original					sh: 1
rev.				description	date	name	part no:		SEE TABLE
						<b>CONEC</b>			

## X-ON Electronics

Largest Supplier of Electrical and Electronic Components

*Click to view similar products for [D-Sub Backshells](#) category:*

*Click to view products by [CONEC](#) manufacturer:*

Other Similar products are found below :

[M85049/6-38N](#) [M85049/86-12N03](#) [M85049/90-13P03](#) [70.350.0636.4](#) [70.350.2435.1](#) [72.350.1035.2](#) [72.352.2435.1](#) [73.359.4035.3](#) [829472-1](#)  
[PCS-E20W](#) [970-015-040R011](#) [970-025-040R011](#) [971-009-030R121](#) [971-009-040R011](#) [971-015-040R011](#) [1437013-9](#) [1484402-8](#) [156-3025-](#)  
[EX](#) [16-500800](#) [165X02659X](#) [165X03329A](#) [165X03399A](#) [165X10259X](#) [165X11759X](#) [165X11889X](#) [165X13019X](#) [165X13029X](#)  
[165X13169X](#) [165X13199X](#) [165X13239X](#) [165X13389X](#) [165X13489X](#) [165X14219X](#) [165X14449X](#) [165X17409X](#) [165X17439X](#)  
[165X17569X](#) [165X17599X](#) [165X17609X](#) [165X17889X](#) [165X17979X](#) [L171373](#) [971-025-030R121](#) [300X10989X](#) [165X02609X](#)  
[165X02639X](#) [165X02689X](#) [165X04219A](#) [165X10469X](#) [165X11279X](#)