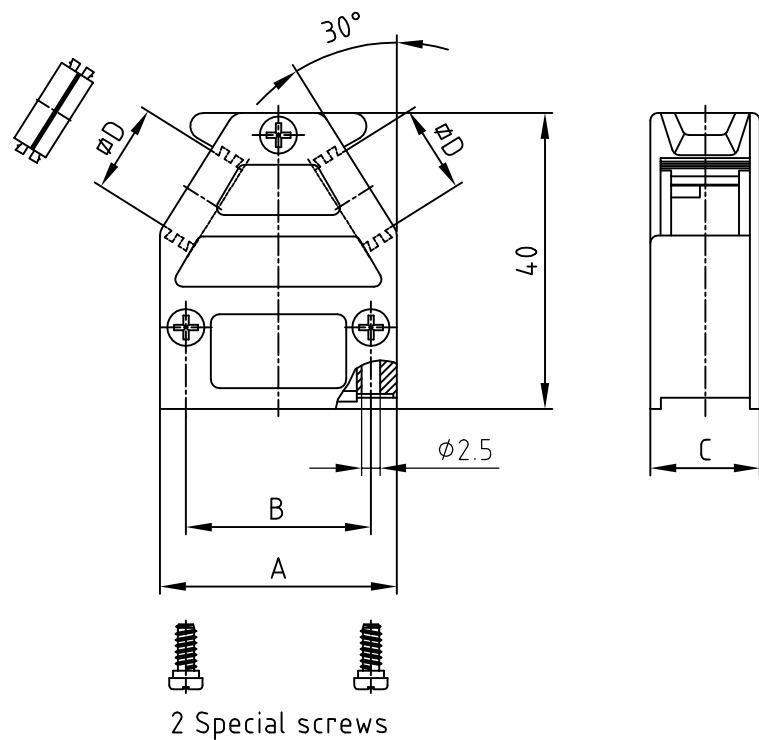
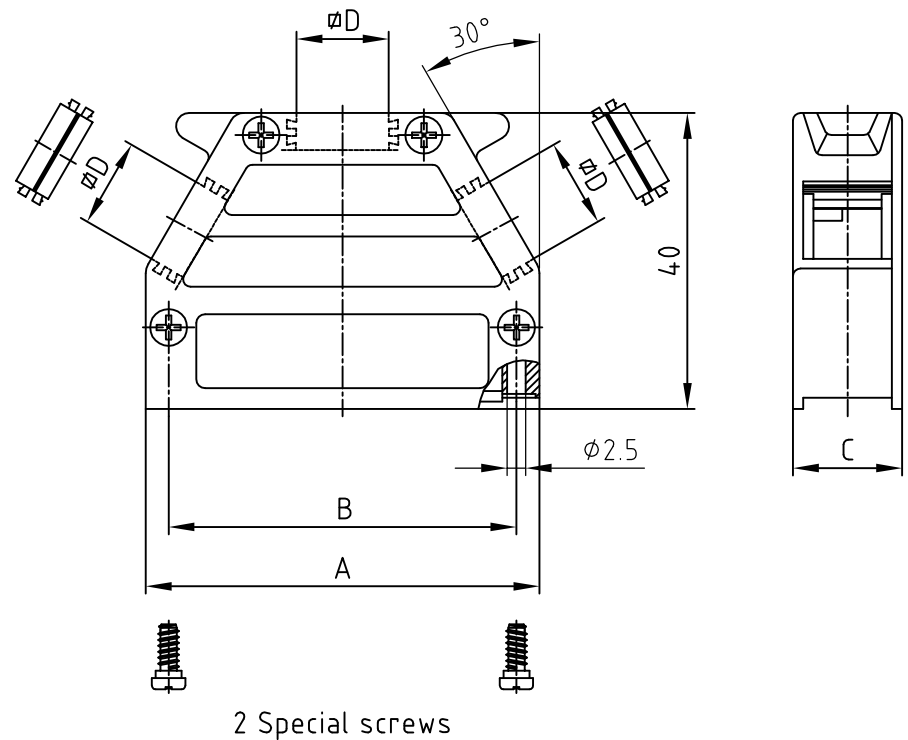


used for: D-SUB

(c) (d)
9pos.



(d)
15-50pos.



(b) (d)

| No. of pos. | A | B | C | ∅D | PART NO. |
|-------------|------|------|------|------|------------|
| 9 | 32.0 | 25.0 | 14.8 | 12.1 | 165X10819X |
| 15 | 39.3 | 33.3 | 14.8 | 12.1 | 165X10829X |
| 25 | 53.2 | 47.0 | 14.8 | 12.1 | 165X10839X |
| (c) 37 | 69.5 | 63.5 | 14.8 | 12.1 | 165X10849X |
| (c) 50 | 67.0 | 61.0 | 17.8 | 14.6 | 165X10859X |

- (d) Delivery includes:
- Metal hood with cover
 - Metal plug:
 - 9pos.: with 1 metal plug
 - 15-50pos.: with 2 metal plugs
 - Cover screws:
 - 9pos.: with 3 cover screws
 - 15-50pos.: with 4 cover screws
 - 1 Screw for grounding post
 - 2 Special screws
- All screws with self forming threads

Directive 2002/95/EC RoHS compliant

THIS DRAWING MAY NOT BE COPIED OR REPRODUCED IN ANY WAY, AND MAY NOT BE PASSED ON TO A THIRD PARTY WITHOUT WRITTEN PERMISSION.
 OWNERSHIP AND COPYRIGHT OF CONEC GmbH
 DO NOT ALTER CAD DRAWING BY HAND

| (b) | | tolerance | | dim. in mm | |
|-------|-------------|-----------|-------|------------|--|
| 4 x d | Ä 4184 | 16.12.11 | Lehm. | norm | |
| 3 x c | Ä 3271 | 02.02.09 | Lehm. | d-old | |
| 2 x b | Ä 3264 | 29.01.09 | Sonne | | |
| a | Original | | | | |
| rev. | description | date | name | | |

| | | |
|-----------|--|----------------------|
| scale: | 1:1 | |
| material: | HOOD + COVER: ZINC DIE-CAST | |
| title: | METAL HOOD EMI/RFI SHIELDING 9-50pos. | |
| dwg no: | 16K1A136A | DIN-A 3 sh:1/1 |
| part no: | SEE TABLE | |



X-ON Electronics

Largest Supplier of Electrical and Electronic Components

Click to view similar products for [D-Sub Backshells](#) category:

Click to view products by [CONEC](#) manufacturer:

Other Similar products are found below :

[M85049/6-38N](#) [M85049/86-12N03](#) [M85049/90-13P03](#) [70.350.0636.4](#) [70.350.2435.1](#) [72.350.1035.2](#) [72.352.2435.1](#) [73.359.4035.3](#) [829472-1](#)
[PCS-E20W](#) [970-015-040R011](#) [970-025-040R011](#) [971-009-030R121](#) [971-009-040R011](#) [971-015-040R011](#) [1437013-9](#) [1484402-8](#) [156-3025-](#)
[EX](#) [16-500800](#) [165X02659X](#) [165X03329A](#) [165X03399A](#) [165X10259X](#) [165X11759X](#) [165X11889X](#) [165X13019X](#) [165X13029X](#)
[165X13169X](#) [165X13199X](#) [165X13239X](#) [165X13389X](#) [165X13489X](#) [165X14219X](#) [165X14449X](#) [165X17409X](#) [165X17439X](#)
[165X17569X](#) [165X17599X](#) [165X17609X](#) [165X17889X](#) [165X17979X](#) [L171373](#) [971-025-030R121](#) [300X10989X](#) [165X02609X](#)
[165X02689X](#) [165X04219A](#) [165X10469X](#) [165X11279X](#) [165X11789X](#)