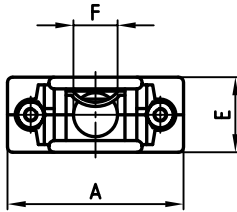
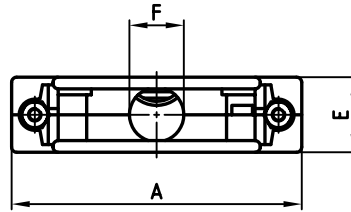


used for: D-SUB

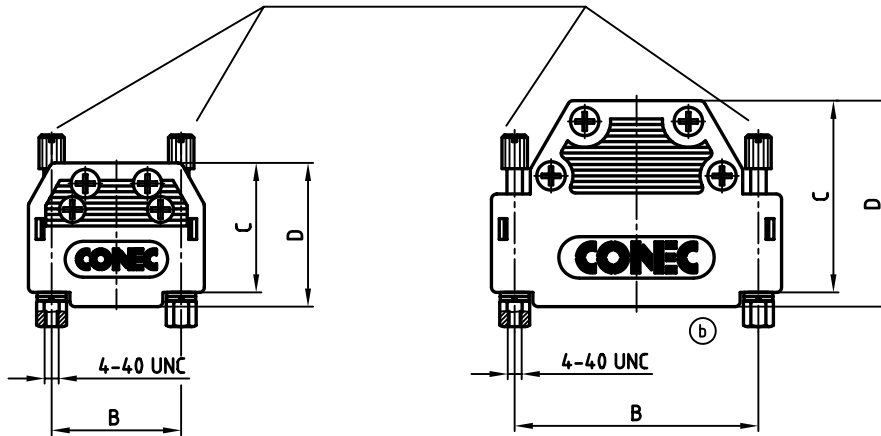
9 pos.



15-37 pos.

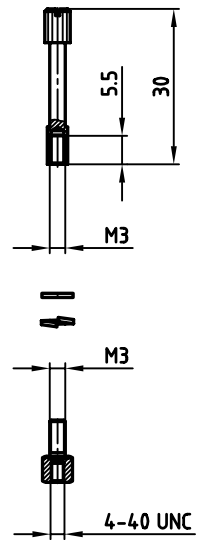


SEE DETAIL VIEW



DETAIL VIEW

SCREW LOCK



No. of pos.	A	B	C	D	E	F	Part No:
9	34.0	25.0	25.0	27.75	14.5	8.5	165X11009X
15	42.3	33.3	37.0	39.75	14.5	10.0	165X11019X
25	56.0	47.0	37.0	39.75	14.5	10.5	165X11029X
37	72.5	63.5	37.0	39.75	14.5	10.5	165X11039X

(b)

Directive 2002/95/EC
„RoHS“
Compliant

NOTES:

1. HOOD MATERIAL: ABS V0 / METALLIZED
2. SCREWLOCK: MATERIAL: BRASS NICKEL-PLATING

APPROVAL * FREIGABE * DEBLOCAGE * AUTORIZACION * APPROVAL	
CUSTOMER APPROVAL DATE:	
NAME:	TITLE:
COMPANY NAME:	
APPROVAL * FREIGABE * DEBLOCAGE * AUTORIZACION * APPROVAL	

THIS DRAWING MAY NOT BE COPIED OR REPRODUCED IN ANY WAY, AND MAY NOT BE PASSED ON TO A THIRD PARTY, WITHOUT WRITTEN PERMISSION. OWNERSHIP AND COPYRIGHT OF CONEC GmbH DO NOT ALTER CAD DRAWING BY HAND

rev.	description	date	name
5 x b	Ä 2286	02.08.2005	HS

tolerance		dim. in mm
2002	date	
drawn	04.03.	name
appd.	04.03.	Mickenbecker
norm		
d-old		KAT11YSA

scale:	1:1	
material:	SEE NOTES	
title:		
PLASTIC HOOD with staight cable exit and screw lock, 9-37 pos. (b)		
dwg no:	AutoCAD 2000	DIN-A
16K1A670		3
part no:		SEE TABLE
		sh: 1/1

X-ON Electronics

Largest Supplier of Electrical and Electronic Components

Click to view similar products for [D-Sub Backshells](#) category:

Click to view products by [CONEC](#) manufacturer:

Other Similar products are found below :

[M85049/6-38N](#) [M85049/86-12N03](#) [M85049/90-13P03](#) [70.350.0636.4](#) [70.350.2435.1](#) [72.350.1035.2](#) [72.352.2435.1](#) [73.359.4035.3](#) [829472-1](#)
[PCS-E20W](#) [970-015-040R011](#) [970-025-040R011](#) [971-009-030R121](#) [971-009-040R011](#) [971-015-040R011](#) [1437013-9](#) [1484402-8](#) [156-3025-](#)
[EX](#) [16-500800](#) [165X02659X](#) [165X03329A](#) [165X03399A](#) [165X10259X](#) [165X11759X](#) [165X11889X](#) [165X13019X](#) [165X13029X](#)
[165X13169X](#) [165X13199X](#) [165X13239X](#) [165X13389X](#) [165X13489X](#) [165X14219X](#) [165X14449X](#) [165X17409X](#) [165X17439X](#)
[165X17569X](#) [165X17599X](#) [165X17609X](#) [165X17889X](#) [165X17979X](#) [L171373](#) [971-025-030R121](#) [300X10989X](#) [165X02609X](#)
[165X02689X](#) [165X04219A](#) [165X10469X](#) [165X11279X](#) [165X11789X](#)