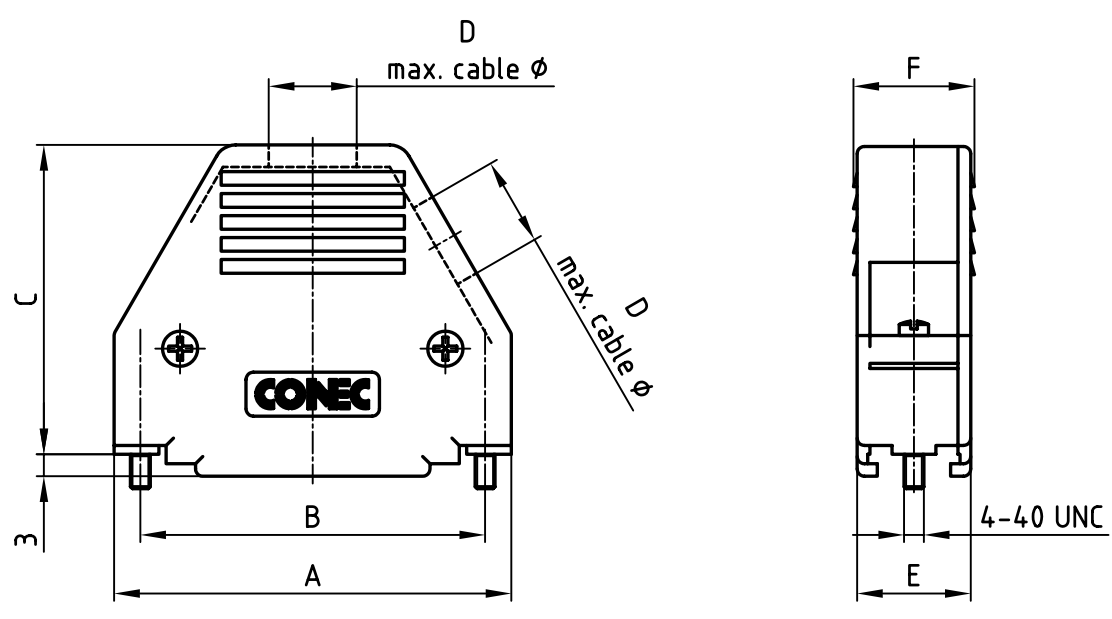


used for: D-SUB



(b)

POS.	A	B	C	D max. cable ø	E	F	Part No. Single package
9	32.0	25.0	36.7	6.3	15.5	16.5	165X11319XE
15	40.0	33.3	38.2	8.0	15.5	16.5	165X11329XE
25	54.2	47.0	42.2	10.5	15.5	16.5	165X11339XE
37	70.6	63.5	47.2	11.5	15.5	16.5	165X11349XE

NOTES:

- HOOD + COVER: ABS UL 94 V-0, METALLIZED
- BLIND PLUG: ABS UL 94 V-0, METALLIZED
- CABLE STRAIN RELIEF: STEEL; NICKEL PLATED
- COUNTERSUNK HEAD SCREW: STEEL; NICKEL PLATED
- JACKSCREW: BRASS; NICKEL PLATED

Directive 2002/95/EC
"RoHS"
Compliant

THIS DRAWING MAY NOT BE COPIED OR REPRODUCED IN ANY WAY, AND MAY NOT BE PASSED ON TO A THIRD PARTY WITHOUT WRITTEN PERMISSION. OWNERSHIP AND COPYRIGHT OF CONEC GmbH DO NOT ALTER CAD DRAWING BY HAND

tolerance				scale: 1:1	
				material: SEE NOTES	
				title: PLASTIC HOOD	
				9-37pos. WITH TOP AND SIDE CABLE EXIT with jack screws	
				dwg no: AutoCAD 2004	
				DIN-A 4	
				sh: 1/1	
				part no: SEE TABLE	



2006	date	name
drawn	07.02.	Lehmenkühler
appd.	07.02.	Mickenbecker
norm		
d-old		
1 x b	Ä 2607	21.11.2006 Lehmen
a	Origin	
rev.	description	date name

4 3 2 1

X-ON Electronics

Largest Supplier of Electrical and Electronic Components

Click to view similar products for [D-Sub Backshells](#) category:

Click to view products by [CONEC](#) manufacturer:

Other Similar products are found below :

[M85049/6-38N](#) [M85049/86-12N03](#) [M85049/90-13P03](#) [70.350.0636.4](#) [70.350.2435.1](#) [72.350.1035.2](#) [72.352.2435.1](#) [73.359.4035.3](#) [829472-1](#)
[PCS-E20W](#) [970-015-040R011](#) [970-025-040R011](#) [971-009-030R121](#) [971-009-040R011](#) [971-015-040R011](#) [1437013-9](#) [1484402-8](#) [156-3025-](#)
[EX](#) [16-500800](#) [165X02659X](#) [165X03329A](#) [165X03399A](#) [165X10259X](#) [165X11759X](#) [165X11889X](#) [165X13019X](#) [165X13029X](#)
[165X13169X](#) [165X13199X](#) [165X13239X](#) [165X13389X](#) [165X13489X](#) [165X14219X](#) [165X14449X](#) [165X17409X](#) [165X17439X](#)
[165X17569X](#) [165X17599X](#) [165X17609X](#) [165X17889X](#) [165X17979X](#) [L171373](#) [971-025-030R121](#) [300X10989X](#) [165X02609X](#)
[165X02639X](#) [165X02689X](#) [165X04219A](#) [165X10469X](#) [165X11279X](#)