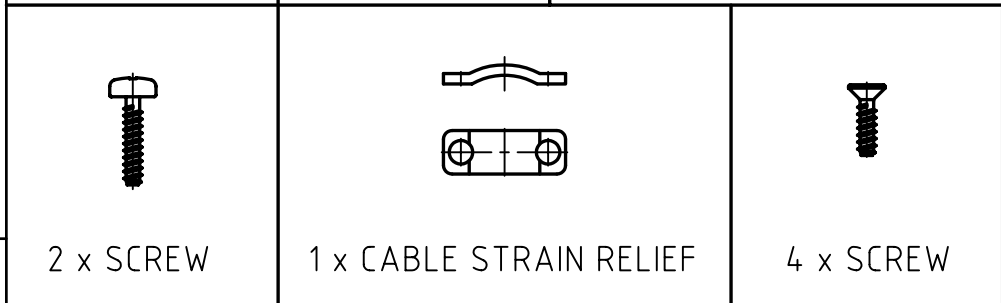
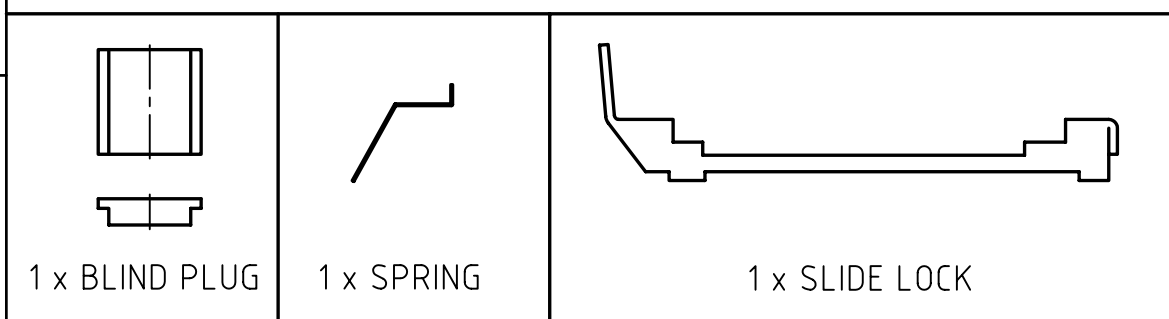
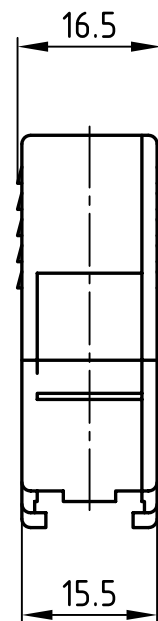
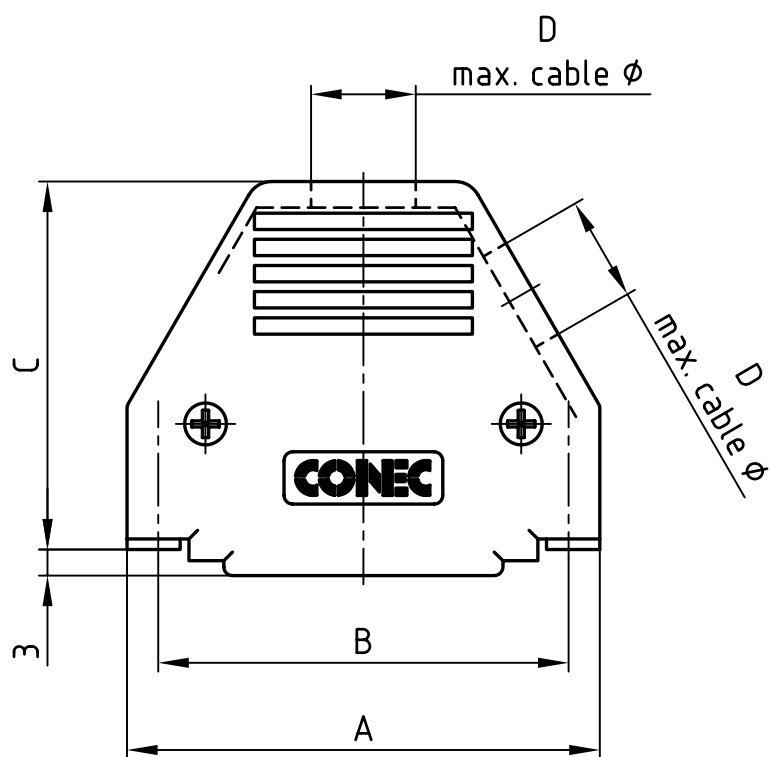


used for: D-SUB



POS.	A	B	C	D max. cable $\phi$	Part No. Bulk package	Part No. Single package
9	32.0	25.0	36.7	6.3	165X11359X	165X11359XE
15	40.0	33.3	38.2	8.0	165X11369X	165X11369XE
25	54.2	47.0	42.2	10.5	165X11379X	165X11379XE
37	70.6	63.5	47.2	11.5	165X11389X	165X11389XE

Directive 2002/95/EC  
"RoHS"  
Compliant

**MATERIAL:**

HOOD: ABS UL 94 V-0; METALLIZED  
 BLIND PLUG: ABS UL 94 V-0; METALLIZED  
 SPRING: STAINLESS STEEL  
 SLIDE LOCK: STEEL; NICKEL PLATED  
 SCREWS: STEEL; NICKEL PLATED  
 CABLE STRAIN RELIEF: STEEL; NICKEL PLATED

THIS DRAWING MAY NOT BE COPIED OR REPRODUCED IN ANY WAY, AND MAY NOT BE PASSED ON TO A THIRD PARTY WITHOUT WRITTEN PERMISSION.  
 OWNERSHIP AND COPYRIGHT OF CONEC GmbH  
 DO NOT ALTER CAD DRAWING BY HAND

tolerance						scale: 1:1
						material: SEE NOTES
				2010	date	name
				drawn	14.04.	Lehmenkühler
				appd.	14.04.	Koch
				norm		
				d-old		
a	Origin					
rev.	description	date	name			

title:		PLASTIC HOOD	
9-37pos. with top and side cable exit with slide lock			
dwg no:	AutoCAD 2006	DIN-A	
16K1A2630		4	
product no:		SEE TABLE	
		sh: 1/1	

4

3

2

1

F

F

E

E

D

D

C

C

B

B

A

A

## X-ON Electronics

Largest Supplier of Electrical and Electronic Components

*Click to view similar products for [D-Sub Backshells](#) category:*

*Click to view products by [CONEC](#) manufacturer:*

Other Similar products are found below :

[M85049/6-38N](#) [M85049/86-12N03](#) [M85049/90-13P03](#) [70.350.0636.4](#) [70.350.2435.1](#) [72.350.1035.2](#) [72.352.2435.1](#) [73.359.4035.3](#) [829472-1](#)  
[PCS-E20W](#) [970-015-040R011](#) [970-025-040R011](#) [971-009-030R121](#) [971-009-040R011](#) [971-015-040R011](#) [1437013-9](#) [1484402-8](#) [156-3025-](#)  
[EX](#) [16-500800](#) [165X02659X](#) [165X03329A](#) [165X03399A](#) [165X10259X](#) [165X11759X](#) [165X11889X](#) [165X13019X](#) [165X13029X](#)  
[165X13169X](#) [165X13199X](#) [165X13239X](#) [165X13389X](#) [165X13489X](#) [165X14219X](#) [165X14449X](#) [165X17409X](#) [165X17439X](#)  
[165X17569X](#) [165X17599X](#) [165X17609X](#) [165X17889X](#) [165X17979X](#) [L171373](#) [971-025-030R121](#) [300X10989X](#) [165X02609X](#)  
[165X02639X](#) [165X02689X](#) [165X04219A](#) [165X10469X](#) [165X11279X](#)