

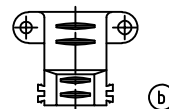
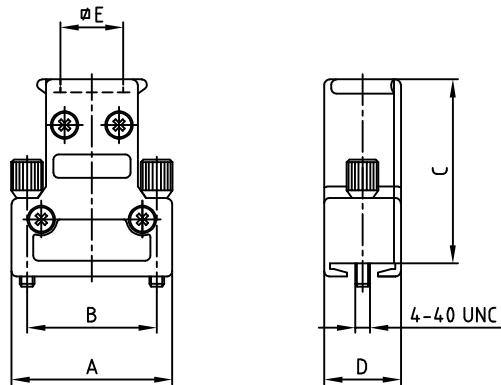
used for: D-SUB

⑨ ④ ④ ④ ④

③

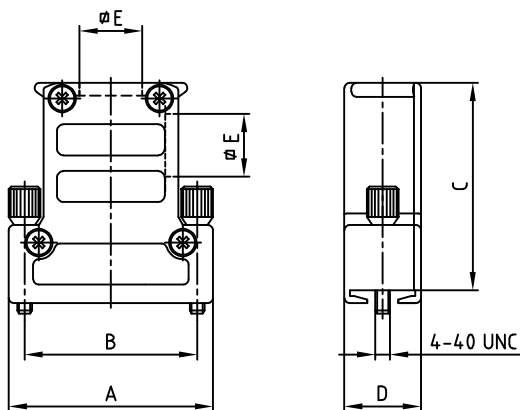
No. of pos.	A	B	C	D	∅E	Part No. Bulk package	Part No. Single package
9	31.0	25.0	35.5	14.8	12.1	165X11609X	165X11609XE
15	39.4	33.3	40.0	14.8	12.1	165X11619X	165X11619XE
25	53.2	47.0	40.0	14.8	12.1	165X11629X	165X11629XE
37	69.6	63.5	40.0	14.8	12.1	165X11639X	165X11639XE

9pos. ③ ④

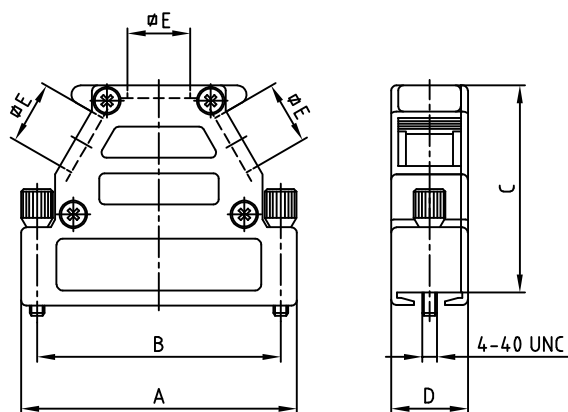


Cable clamp has to be ordered separately.
9-37 pos. Part-no. 160X11189X

15pos. ③ ④



25+37pos. ③ ④ ⑨



- ⑤ Delivery includes:
- Hood with cover
 - Blanking plug:
 - 9pos.: without blanking plug
 - 15pos.: with 1 blanking plug
 - 25+37pos.: with 2 blanking plugs
 - 4 screws for fixing
 - 1 earth screw
 - 2 jack screws

RoHS compliant

THIS DRAWING MAY NOT BE COPIED OR REPRODUCED IN ANY WAY, AND MAY NOT BE PASSED ON TO A THIRD PARTY, WITHOUT WRITTEN PERMISSION. OWNERSHIP AND COPYRIGHT OF CONEC GMBH DO NOT ALTER CAD DRAWING BY HAND

rev.	description	date	name	tolerance	dim. in mm
2 x g	Ä21-0220	13.10.21	JLE	200Z	date
3 x f	Ä20-0414	13.10.20	JLE	drawn	29.01.
1 x e	Ä 4037	06.07.11	Lehmen	appd.	30.01.
4 x d	Ä 3657	18.05.10	Lehmen	norm	
4 x c	Ä 2754	23.07.07	Lehmen	d-old	
1 x b	Ä 2459	13.03.06	HS		
a	Original				



scale:	1:1
material:	HOOD WITH COVER: DIE-CAST ZINC
title:	METAL HOOD EMI/RFI SHIELDING 9-37pos. with jack screws 4-40 UNC
dwg no:	16K1A462A
part no:	SEE TABLE

DIN-A
3
sh:1/1

X-ON Electronics

Largest Supplier of Electrical and Electronic Components

Click to view similar products for [D-Sub Backshells](#) category:

Click to view products by [CONEC](#) manufacturer:

Other Similar products are found below :

[M85049/6-38N](#) [M85049/86-12N03](#) [M85049/90-13P03](#) [70.350.0636.4](#) [70.350.2435.1](#) [72.350.1035.2](#) [72.352.2435.1](#) [73.359.4035.3](#) [829472-1](#)
[PCS-E20W](#) [970-015-040R011](#) [970-025-040R011](#) [971-009-030R121](#) [971-009-040R011](#) [971-015-040R011](#) [1437013-9](#) [1484402-8](#) [156-3025-](#)
[EX](#) [16-500800](#) [165X02659X](#) [165X03329A](#) [165X03399A](#) [165X10259X](#) [165X11759X](#) [165X11889X](#) [165X13019X](#) [165X13029X](#)
[165X13169X](#) [165X13199X](#) [165X13239X](#) [165X13389X](#) [165X13489X](#) [165X14219X](#) [165X14449X](#) [165X17409X](#) [165X17439X](#)
[165X17569X](#) [165X17599X](#) [165X17609X](#) [165X17889X](#) [165X17979X](#) [L171373](#) [971-025-030R121](#) [300X10989X](#) [165X02609X](#)
[165X02639X](#) [165X02689X](#) [165X04219A](#) [165X10469X](#) [165X11279X](#)