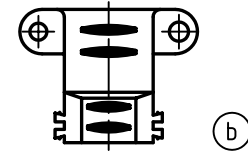
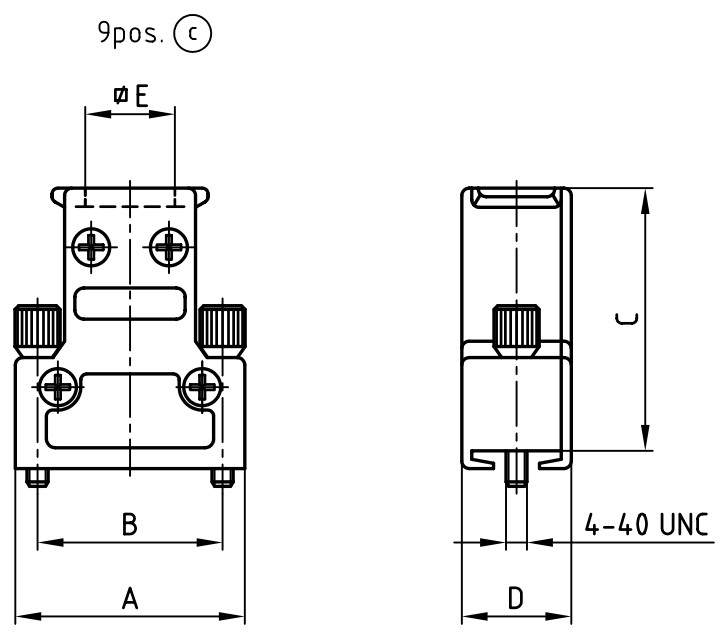
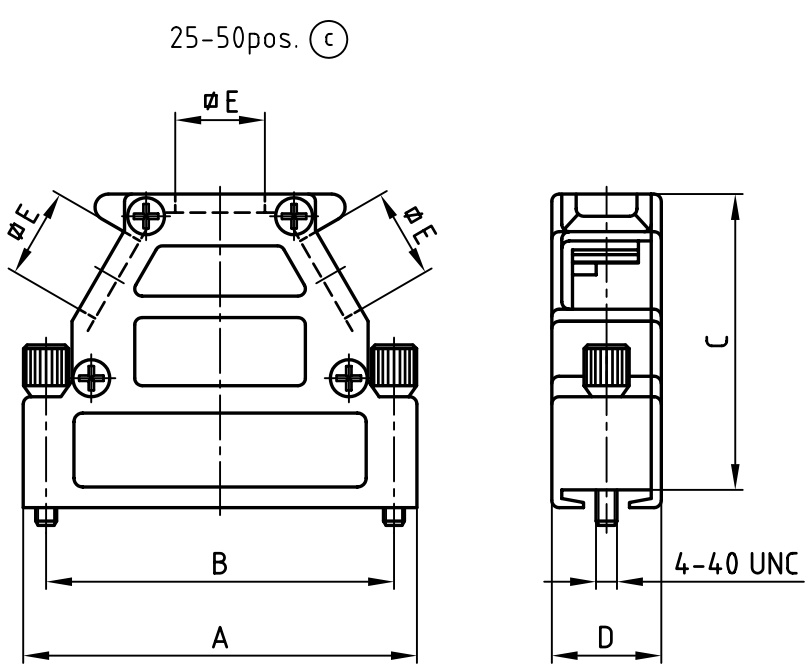
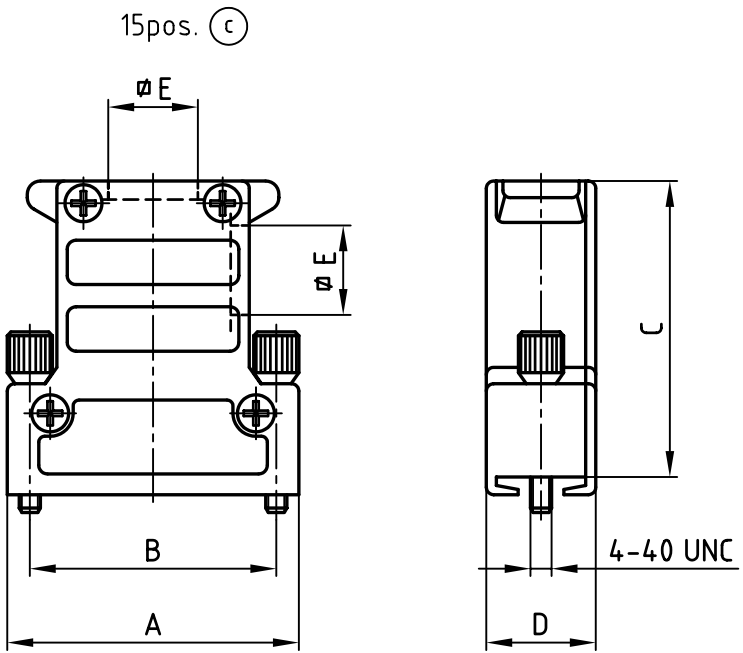


used for: D-SUB

No. of pos.	A	B	C	D	∅E	Part No.	Part No.
						Bulk package	Single package
9	31.0	25.0	35.5	14.8	12.1	165X11609X	165X11609XE
15	39.4	33.3	40.0	14.8	12.1	165X11619X	165X11619XE
25	53.2	47.0	40.0	14.8	12.1	165X11629X	165X11629XE
37	69.6	63.5	40.0	14.8	12.1	165X11639X	165X11639XE
50	67.0	61.1	42.0	17.6	14.6	165X11649X	165X11649XE



Cable clamp has to be ordered separately.  
 9-37 pos. Part-no. 160X11189X  
 50 pos. Part-no. 160X11199X



**Delivery includes:**  
 Hood with covers  
 1 or 2 blanking plugs  
 4 screws for fixing  
 1 earth screw  
 2 jack screws

APPROVAL # FREIGABE # DEBLOCAGE # AUTOR/ZACION # APPROVAL

CUSTOMER APPROVAL DATE:

NAME: TITLE:

COMPANY NAME:

APPROVAL # FREIGABE # DEBLOCAGE # AUTOR/ZACION # APPROVAL

THIS DRAWING MAY NOT BE COPIED OR REPRODUCED IN ANY WAY, AND MAY NOT BE PASSED ON TO A THIRD PARTY WITHOUT WRITTEN PERMISSION.

OWNERSHIP AND COPYRIGHT OF CONEC GmbH

DO NOT ALTER CAD DRAWING BY HAND

rev.	description	date	name	tolerance	dim. in mm
2002	date	name			
drawn	29.01.	Parei			
appd.	30.01.	E. Mickenbecker			
4 x d	Ä 3657	18.05.10	Lehmen	norm	
4 x c	Ä 2754	23.07.07	Lehmen	d-old	
1 x b	Ä 2459	13.03.06	HS		
a	Origin				

scale: 1:1

material: HOOD: DIE-CAST ZINC

title: METAL HOOD  
EMI/RFI SHIELDING  
9-50pos. with jack screws 4-40 UNC

dwg no: AutoCAD 2006 DIN-A  
16K1A462A 3  
sh:1/1

part no: SEE TABLE



## X-ON Electronics

Largest Supplier of Electrical and Electronic Components

*Click to view similar products for [D-Sub Backshells](#) category:*

*Click to view products by [CONEC](#) manufacturer:*

Other Similar products are found below :

[M85049/6-38N](#) [M85049/86-12N03](#) [M85049/90-13P03](#) [70.350.0636.4](#) [70.350.2435.1](#) [72.350.1035.2](#) [72.352.2435.1](#) [73.359.4035.3](#) [829472-1](#)  
[PCS-E20W](#) [970-015-040R011](#) [970-025-040R011](#) [971-009-030R121](#) [971-009-040R011](#) [971-015-040R011](#) [1437013-9](#) [1484402-8](#) [156-3025-](#)  
[EX](#) [16-500800](#) [165X02659X](#) [165X03329A](#) [165X03399A](#) [165X10259X](#) [165X11759X](#) [165X11889X](#) [165X13019X](#) [165X13029X](#)  
[165X13169X](#) [165X13199X](#) [165X13239X](#) [165X13389X](#) [165X13489X](#) [165X14219X](#) [165X14449X](#) [165X17409X](#) [165X17439X](#)  
[165X17569X](#) [165X17599X](#) [165X17609X](#) [165X17889X](#) [165X17979X](#) [L171373](#) [971-025-030R121](#) [300X10989X](#) [165X02609X](#)  
[165X02689X](#) [165X04219A](#) [165X10469X](#) [165X11279X](#) [165X11789X](#)