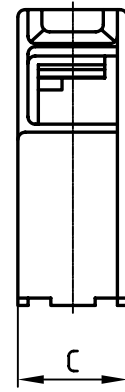
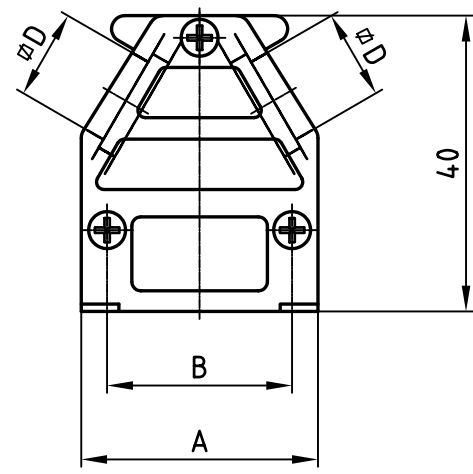
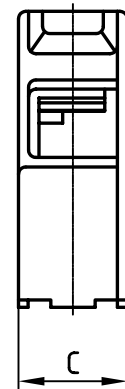
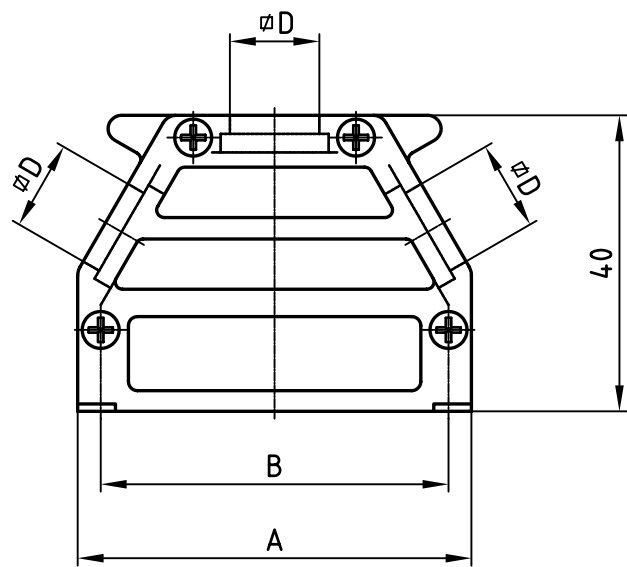


used for: D-SUB



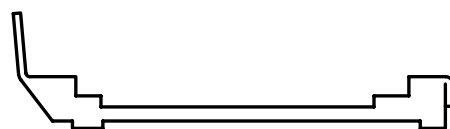
9pos.



15pos. - 50pos.

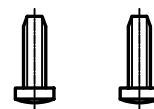


spring



slide lock

(b)



screws

No. of pos.	A	B	C	∅D	Blind Plug included	Part-No. Bulk package	Part-No. Single package
9 (b)	32.0	25.0	14.8	12.1	1	165X11659X	165X11659XE
15	39.3	33.3	14.8	12.1	2	165X11669X	165X11669XE
25	53.2	47.0	14.8	12.1	2	165X11679X	165X11679XE
37	69.5	63.5	14.8	12.1	2	165X11689X	165X11689XE
50	67.0	61.1	17.8	14.6	2	165X11699X	165X11699XE

APPROVAL # FREIGABE # DEBLOCAGE # AUTORIZACION # APPROVAL

CUSTOMER APPROVAL DATE:

NAME: TITLE:

COMPANY NAME:

APPROVAL # FREIGABE # DEBLOCAGE # AUTORIZACION # APPROVAL

THIS DRAWING MAY NOT BE COPIED OR REPRODUCED IN ANY WAY, AND MAY NOT BE PASSED ON TO A THIRD PARTY WITHOUT WRITTEN PERMISSION. OWNERSHIP AND COPYRIGHT OF CONEC GmbH DO NOT ALTER CAD DRAWING BY HAND

1 x c	Ä 3720	18.08.10	Lehm.	d-old
4 x b	Ä 2240	24.05.05	HS	
a	Origin			
rev.	description	date	name	

tolerance		dim. in mm	scale: 1:1
			material: Hood: die-cast zinc
2002	date	name	title: <b>METAL HOOD</b> EMI/RFI SHIELDING 9 - 50 pos. with slide lock
drawn	25.06.	Schmidt	
appd.	25.06.	E. Mickenbecker	
norm			
dwg no:		AutoCAD 2000	DIN-A
			3
			sh:1/1
part no:		SEE TABLE	



## X-ON Electronics

Largest Supplier of Electrical and Electronic Components

*Click to view similar products for [D-Sub Backshells](#) category:*

*Click to view products by [CONEC](#) manufacturer:*

Other Similar products are found below :

[M85049/6-38N](#) [M85049/86-12N03](#) [M85049/90-13P03](#) [70.350.0636.4](#) [70.350.2435.1](#) [72.350.1035.2](#) [72.352.2435.1](#) [73.359.4035.3](#) [829472-1](#)  
[PCS-E20W](#) [970-015-040R011](#) [970-025-040R011](#) [971-009-030R121](#) [971-009-040R011](#) [971-015-040R011](#) [1437013-9](#) [1484402-8](#) [156-3025-](#)  
[EX](#) [16-500800](#) [165X02659X](#) [165X03329A](#) [165X03399A](#) [165X10259X](#) [165X11759X](#) [165X11889X](#) [165X13019X](#) [165X13029X](#)  
[165X13169X](#) [165X13199X](#) [165X13239X](#) [165X13389X](#) [165X13489X](#) [165X14219X](#) [165X14449X](#) [165X17409X](#) [165X17439X](#)  
[165X17569X](#) [165X17599X](#) [165X17609X](#) [165X17889X](#) [165X17979X](#) [L171373](#) [971-025-030R121](#) [300X10989X](#) [165X02609X](#)  
[165X02639X](#) [165X02689X](#) [165X04219A](#) [165X10469X](#) [165X11279X](#)