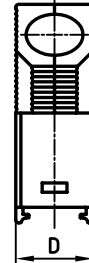
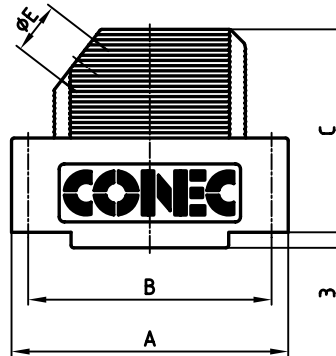
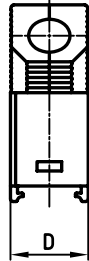
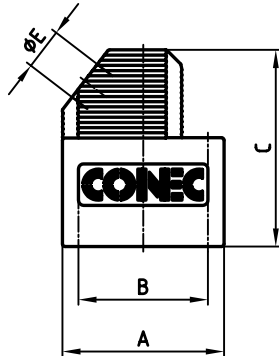


used for: D-SUB

9pos.

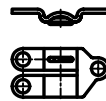
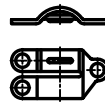
15-50pos.



3 x SCREW FOR CABLE CLAMP



1 x CABLE CLAMP / VERSION 1



1 x CABLE CLAMP / VERSION 2

9pos. = 1 x METAL SCREW
WITH PLASTIC HEAD

15-50pos. = 2 x METAL SCREW
WITH PLASTIC HEAD

No. of pos.	A±0.1	B	C±0.2	D	∅E	Part No.
9	31.20	25.0	37.95	15.0	8.0	165X11709X
15	39.52	33.3	38.95	15.0	9.0	165X11719X
25	53.42	47.0	38.95	15.0	11.0	165X11729X
37	69.70	63.5	38.95	15.0	11.0	165X11739X
50	67.30	61.1	38.95	19.0	14.5	165X11749X

NOTES:

HOOD: PC GF 20 UL 94 V-0; BLACK

CABLE CLAMP: Cu Ni 18 Zn 20

SCREW FOR CABLE CLAMP: STEEL; NICKEL PLATED



APPROVAL * FREIGABE * DEBLOCAGE * AUTORIZACION * APPROVAL

CUSTOMER APPROVAL DATE:

NAME: TITLE:

COMPANY NAME:

APPROVAL * FREIGABE * DEBLOCAGE * AUTORIZACION * APPROVAL

THIS DRAWING MAY NOT BE COPIED OR REPRODUCED IN ANY WAY, AND MAY NOT BE PASSED ON TO A THIRD PARTY, WITHOUT WRITTEN PERMISSION. OWNERSHIP AND COPYRIGHT OF CONEC GmbH DO NOT ALTER CAD DRAWING BY HAND

rev.	description	date	name
a	Origin		

tolerance	dim. in mm
2007	date
drawn	04.07. Lehmenkühler
appd.	05.07. Mickenbecker
norm	
d-old	

scale: 1:1

material: SEE NOTES

title: **PLASTIC HOOD**
9-50pos. unshielded version, black with metal screw with plastic head

dwg no: AutoCAD 2006 DIN-A 3 sh: 1/1

part no: **16K1A2108** SEE TABLE



X-ON Electronics

Largest Supplier of Electrical and Electronic Components

Click to view similar products for [D-Sub Backshells](#) category:

Click to view products by [CONEC](#) manufacturer:

Other Similar products are found below :

[M85049/6-38N](#) [M85049/86-12N03](#) [M85049/90-13P03](#) [70.350.0636.4](#) [70.350.2435.1](#) [72.350.1035.2](#) [72.352.2435.1](#) [73.359.4035.3](#) [829472-1](#)
[PCS-E20W](#) [970-015-040R011](#) [970-025-040R011](#) [971-009-030R121](#) [971-009-040R011](#) [971-015-040R011](#) [1437013-9](#) [1484402-8](#) [156-3025-](#)
[EX](#) [16-500800](#) [165X02659X](#) [165X03329A](#) [165X03399A](#) [165X10259X](#) [165X11759X](#) [165X11889X](#) [165X13019X](#) [165X13029X](#)
[165X13169X](#) [165X13199X](#) [165X13239X](#) [165X13389X](#) [165X13489X](#) [165X14219X](#) [165X14449X](#) [165X17409X](#) [165X17439X](#)
[165X17569X](#) [165X17599X](#) [165X17609X](#) [165X17889X](#) [165X17979X](#) [L171373](#) [971-025-030R121](#) [300X10989X](#) [165X02609X](#)
[165X02689X](#) [165X04219A](#) [165X10469X](#) [165X11279X](#) [165X11789X](#)