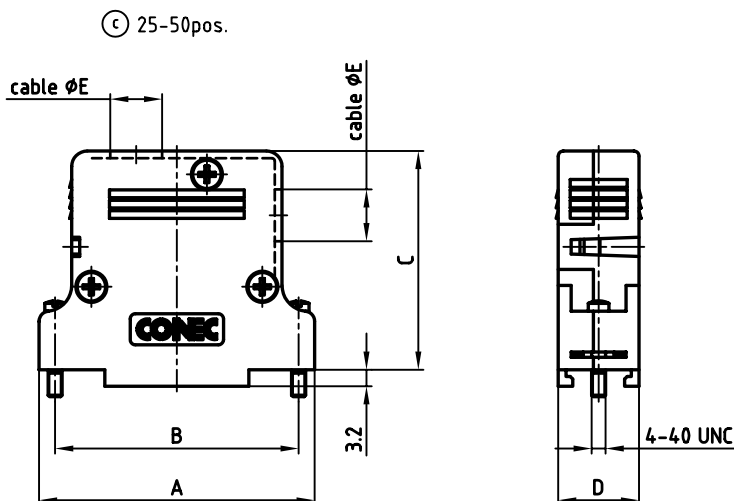
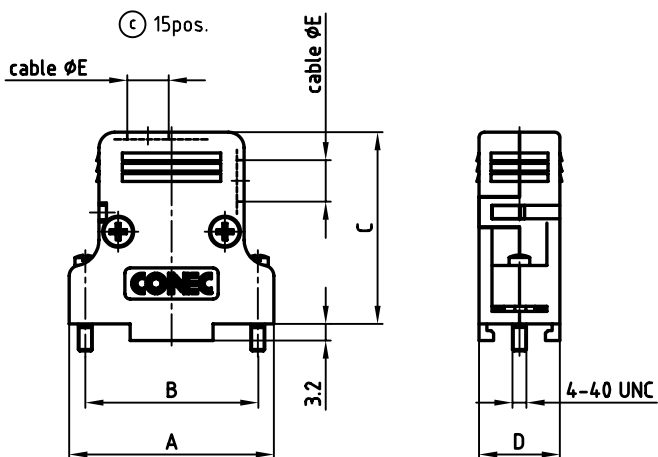
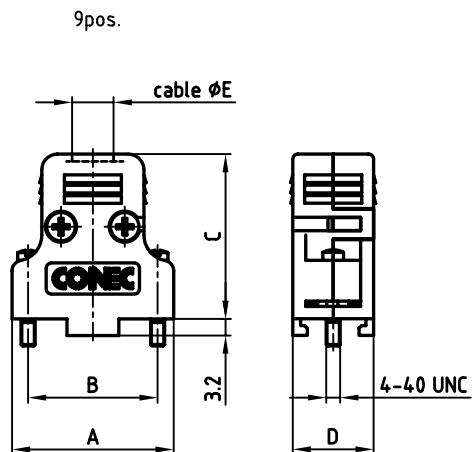


used for: D-SUB



No. of pos.	A	B	C	D	ØE <sub>max.</sub>	Part No. Single package	Part No. Bulk package
9	31.2	25.0	31.8	15.6	8.0	165X11869XE	165X11869X
15	39.5	33.3	37.0	15.6	8.0	165X11879XE	165X11879X
25	53.2	47.0	42.2	15.6	10.0	165X11889XE	165X11889X
37	69.7	63.5	42.2	15.6	10.0	165X11899XE	165X11899X
50	67.3	61.1	42.2	18.5	12.5	165X11909XE	165X11909X

**NOTES:**

- (b) 1. HOOD: PC UL 94 V-0; GREY
- (b) 2. HOOD PLUG: PC UL 94 V-0; GREY
- 3. JACKSCREW: BRASS; NICKEL PLATED
- 4. SCREW FOR STRAIN RELIEF: STEEL; NICKEL PLATED
- 5. COVER SCREW: STEEL; NICKEL PLATED
- 6. STRAIN RELIEF: STEEL; NICKEL PLATED



APPROVAL # FREIGABE # DEBLOCAGE # AUTORIZACION # APPROVAL

CUSTOMER APPROVAL DATE:

NAME: TITLE:

COMPANY NAME:

APPROVAL # FREIGABE # DEBLOCAGE # AUTORIZACION # APPROVAL

THIS DRAWING MAY NOT BE COPIED OR REPRODUCED IN ANY WAY, AND MAY NOT BE PASSED ON TO A THIRD PARTY, WITHOUT WRITTEN PERMISSION. OWNERSHIP AND COPYRIGHT OF CONEC GmbH DO NOT ALTER CAD DRAWING BY HAND

rev.	description	date	name
2 x c	Ä 2795	04.09.07	Lehmen
3 x b	Ä 2545	04.08.06	HS
a	Origin		

tolerance

dim. in mm

scale: 1:1

material: SEE NOTES

title: PLASTIC HOOD  
9pos. with top cable exit  
15-50pos. with top and side cable exit

dwg no: AutoCAD 2004

part no: SEE TABLE

DIN-A 3 sh: 1/1

**CONEC**

## X-ON Electronics

Largest Supplier of Electrical and Electronic Components

*Click to view similar products for [D-Sub Backshells](#) category:*

*Click to view products by [CONEC](#) manufacturer:*

Other Similar products are found below :

[M85049/6-38N](#) [M85049/86-12N03](#) [M85049/90-13P03](#) [70.350.0636.4](#) [70.350.2435.1](#) [72.350.1035.2](#) [72.352.2435.1](#) [73.359.4035.3](#) [829472-1](#)  
[PCS-E20W](#) [970-015-040R011](#) [970-025-040R011](#) [971-009-030R121](#) [971-009-040R011](#) [971-015-040R011](#) [1437013-9](#) [1484402-8](#) [156-3025-](#)  
[EX](#) [16-500800](#) [165X02659X](#) [165X03329A](#) [165X03399A](#) [165X10259X](#) [165X11759X](#) [165X11889X](#) [165X13019X](#) [165X13029X](#)  
[165X13169X](#) [165X13199X](#) [165X13239X](#) [165X13389X](#) [165X13489X](#) [165X14219X](#) [165X14449X](#) [165X17409X](#) [165X17439X](#)  
[165X17569X](#) [165X17599X](#) [165X17609X](#) [165X17889X](#) [165X17979X](#) [L171373](#) [971-025-030R121](#) [300X10989X](#) [165X02609X](#)  
[165X02689X](#) [165X04219A](#) [165X10469X](#) [165X11279X](#) [165X11789X](#)