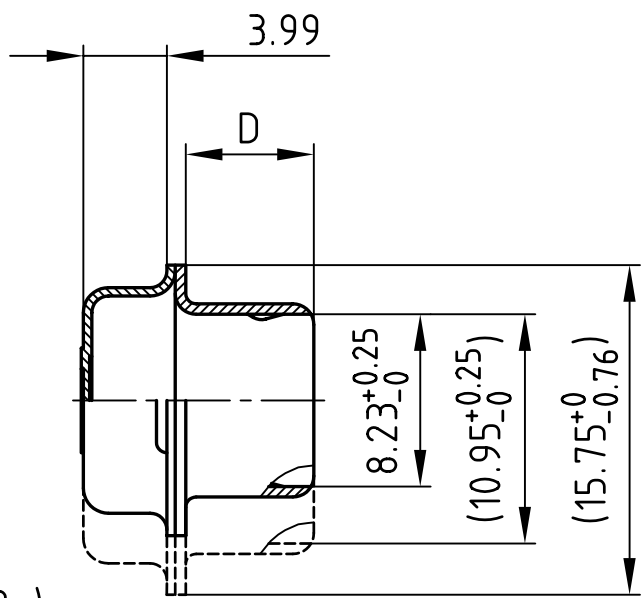
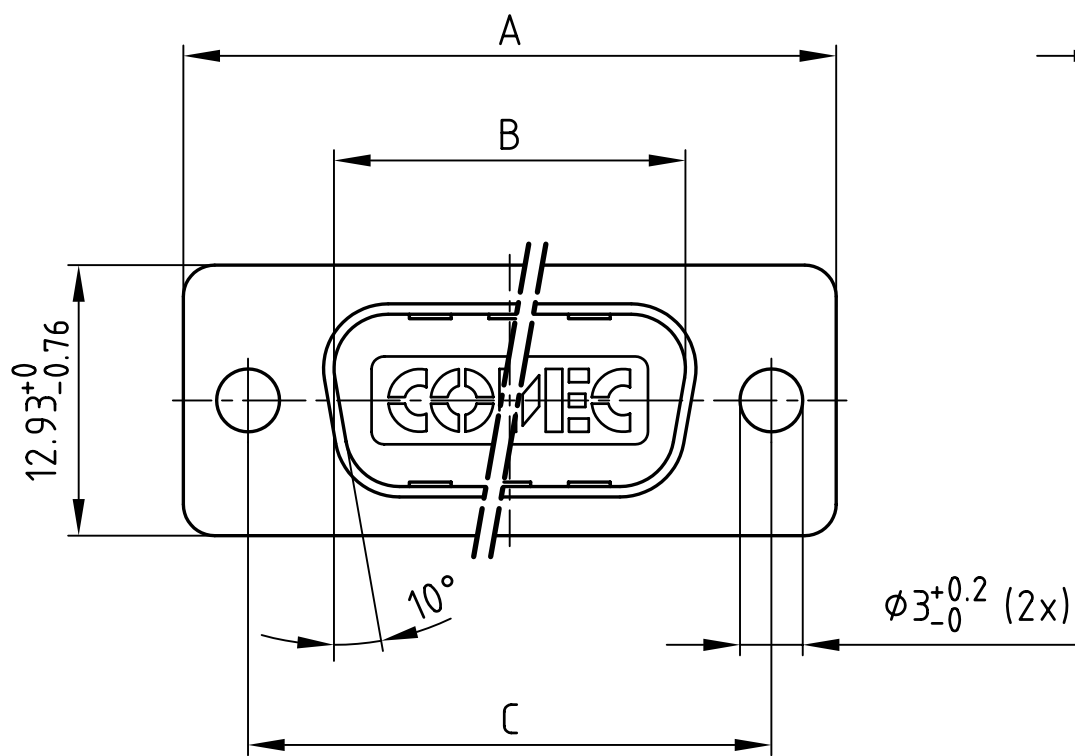
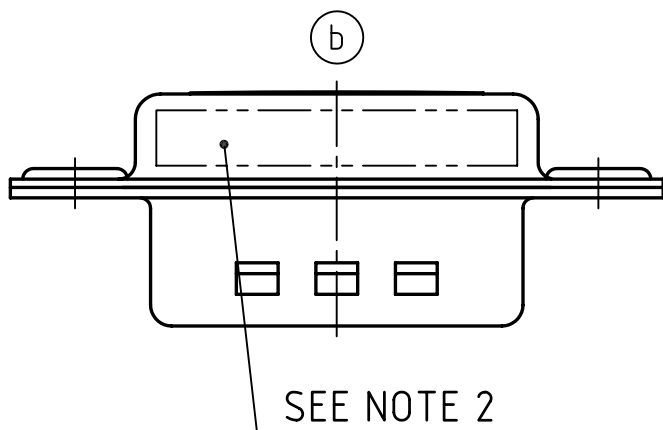


used for: D-SUB



Dimensions in (---) = 50pos.



No. of pos.	A <sup>-0.76</sup>	B <sup>-0.25</sup>	C	D <sup>-0.3</sup>	Part No. Bulk Package	Part No. Single Package
9	31.19	16.79	25.00 <sup>+0.12</sup> / <sub>-0.13</sub>	6.12	165X12969X	165X12969XE
15	39.52	25.12	33.30 <sup>+0.15</sup> / <sub>-0.1</sub>	6.12	165X12979X	165X12979XE
25	53.42	38.84	47.04 ±0.13	5.99	165X12989X	165X12989XE
37	69.70	55.30	63.50 ±0.13	5.99	165X12999X	165X12999XE
50	67.31	52.68	61.10 <sup>+0.14</sup> / <sub>-0.11</sub>	5.99	165X13009X	165X13009XE



NOTES:

- METALSHELLS: STEEL; min. 315µin TIN over 40-80µin NICKEL
- CONNECTOR IS PART MARKED: [PART NO. CONEC ABC]

THIS DRAWING MAY NOT BE COPIED OR REPRODUCED IN ANY WAY, AND MAY NOT BE PASSED ON TO A THIRD PARTY WITHOUT WRITTEN PERMISSION.  
 OWNERSHIP AND COPYRIGHT OF CONEC GmbH  
 DO NOT ALTER CAD DRAWING BY HAND

tolerance				scale: 2:1	
				material: SEE NOTES	
2002	date	name		title: <b>Covered screen cap 9-50pos.</b> for Socket connector for EMI/RFI	
drawn	27.03.	Schmidt			
appd.	27.03.	Mickenbecker			
norm	DIN 41652				
d-old	KAT11Y4A				
2 x b	Ä 3616	30.03.2010	Lehmen.	dwg no: AutoCAD 2000	
a	Origin			DIN-A	
rev.	description	date	name	4	
				sh: 1/1	
				part no: SEE TABLE	



16K1A623

part no: SEE TABLE

## X-ON Electronics

Largest Supplier of Electrical and Electronic Components

*Click to view similar products for [D-Sub Backshells](#) category:*

*Click to view products by [CONEC](#) manufacturer:*

Other Similar products are found below :

[M85049/6-38N](#) [M85049/86-12N03](#) [M85049/90-13P03](#) [70.350.0636.4](#) [70.350.2435.1](#) [72.350.1035.2](#) [72.352.2435.1](#) [73.359.4035.3](#) [829472-1](#)  
[PCS-E20W](#) [970-015-040R011](#) [970-025-040R011](#) [971-009-030R121](#) [971-009-040R011](#) [971-015-040R011](#) [1437013-9](#) [1484402-8](#) [156-3025-](#)  
[EX](#) [16-500800](#) [165X02659X](#) [165X03329A](#) [165X03399A](#) [165X10259X](#) [165X11759X](#) [165X11889X](#) [165X13019X](#) [165X13029X](#)  
[165X13169X](#) [165X13199X](#) [165X13239X](#) [165X13389X](#) [165X13489X](#) [165X14219X](#) [165X14449X](#) [165X17409X](#) [165X17439X](#)  
[165X17569X](#) [165X17599X](#) [165X17609X](#) [165X17889X](#) [165X17979X](#) [L171373](#) [971-025-030R121](#) [300X10989X](#) [165X02609X](#)  
[165X02689X](#) [165X04219A](#) [165X10469X](#) [165X11279X](#) [165X11789X](#)