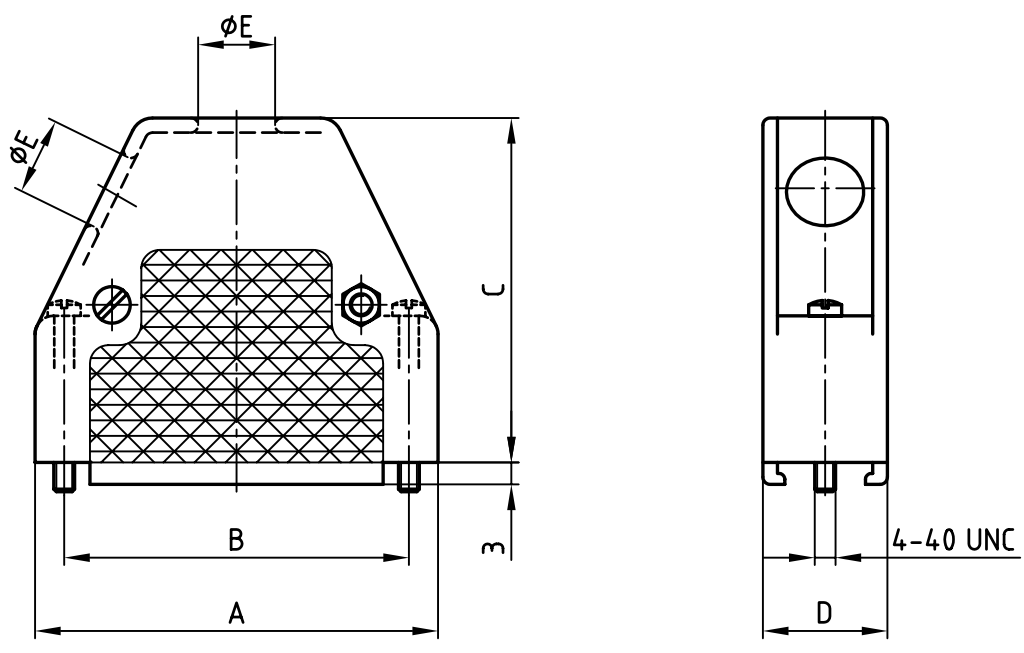


used for: D-SUB



No. of pos.	A	B	C	D	ϕE	Part No:
9	33.0	25.0	45.0	17.0	7.5	165X13019X
15	41.0	33.3	45.0	17.0	8.5	165X13029X
25	55.0	47.0	47.0	17.0	10.5	165X13039X
37	71.3	63.5	51.0	17.0	11.0	165X13049X
50	69.0	61.1	50.0	20.0	12.5	165X13059X

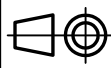
Directive 2002/95/EC
 „RoHS“
 Compliant

NOTES:
 1. HOOD: ABS UL 94 V-0
 2. SCREWS: BRASS

THIS DRAWING MAY NOT BE COPIED OR REPRODUCED IN ANY WAY, AND MAY NOT BE PASSED ON TO A THIRD PARTY WITHOUT WRITTEN PERMISSION.
 OWNERSHIP AND COPYRIGHT OF CONEC GmbH
 DO NOT ALTER CAD DRAWING BY HAND

rev.	description	date	name

tolerance



2001 date name
 drawn 02.10. Parei
 appd. 02.10. Mickenbecker
 norm
 d-old

CONEC[®]

scale: 1:1
 material: SEE NOTES
 title:
PLASTIC HOOD
 with straight and side cable entry
 with short screws, 9 - 50 pos.
 dwg no: AutoCAD 2000 DIN-A
 16K1A320A 4
 sh: 1/1
 part no: SEE TABLE

X-ON Electronics

Largest Supplier of Electrical and Electronic Components

Click to view similar products for [D-Sub Backshells](#) category:

Click to view products by [CONEC](#) manufacturer:

Other Similar products are found below :

[M85049/6-38N](#) [M85049/86-12N03](#) [M85049/90-13P03](#) [70.350.0636.4](#) [70.350.2435.1](#) [72.350.1035.2](#) [72.352.2435.1](#) [73.359.4035.3](#) [829472-1](#)
[PCS-E20W](#) [970-015-040R011](#) [970-025-040R011](#) [971-009-030R121](#) [971-009-040R011](#) [971-015-040R011](#) [1437013-9](#) [1484402-8](#) [156-3025-](#)
[EX](#) [16-500800](#) [165X02659X](#) [165X03329A](#) [165X03399A](#) [165X10259X](#) [165X11759X](#) [165X11889X](#) [165X13019X](#) [165X13029X](#)
[165X13169X](#) [165X13199X](#) [165X13239X](#) [165X13389X](#) [165X13489X](#) [165X14219X](#) [165X14449X](#) [165X17409X](#) [165X17439X](#)
[165X17569X](#) [165X17599X](#) [165X17609X](#) [165X17889X](#) [165X17979X](#) [L171373](#) [971-025-030R121](#) [300X10989X](#) [165X02609X](#)
[165X02689X](#) [165X04219A](#) [165X10469X](#) [165X11279X](#) [165X11789X](#)