

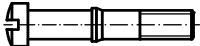


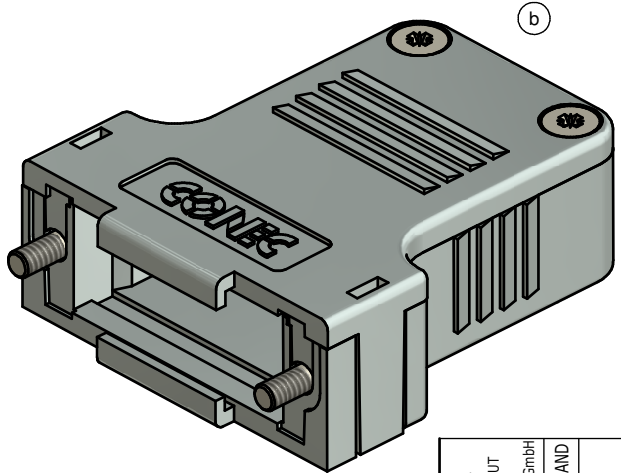


(b)

		
CABLE STRAIN RELIEF (1x)	LENS HEAD SCREW (2x)	
		
SHORT SCREW (2x)	PRESS INSERT (1x)	COVER SCREW (2x)



(b)


NOTES:

- HOOD + COVER: ABS UL 94 V-0; METALLIZED
- CABLE STRAIN RELIEF: STEEL; NICKEL PLATED
- PRESS INSERT: ABS UL 94 V-0; METALLIZED
- SHORT SCREWS: STEEL; NICKEL PLATED
- COVER SCREWS: STEEL; NICKEL PLATED
- LENS HEAD SCREWS: STEEL; NICKEL PLATED

TECHNICAL DATA:

- TEMPERATURE RANGE: -33 °C to + 90 °C

Directive 2002/95/EC RoHS compliant

THIS DRAWING MAY NOT BE COPIED OR REPRODUCED IN ANY WAY, AND MAY NOT BE PASSED ON TO A THIRD PARTY WITHOUT WRITTEN PERMISSION. OWNERSHIP AND COPYRIGHT OF CONEC GmbH DO NOT ALTER CAD DRAWING BY HAND	tolerance			scale: 2:1
	dim. in mm		material: SEE NOTES	
	date	name		title: PLASTIC HOOD 15pos. with straight cable exit
	drawn 03.09.14	Unkrüer		
	appd. 03.09.14	Lehmenkühler		
norm	d-old 16K2A171A		dwg no: (b) 16K1A3494	DIN-A3 sh: 1
3 x b	Ä 5304	03.09.2014	Unkrüer	part no: 165X13479X
a	Original			
rev.	description	date	name	



X-ON Electronics

Largest Supplier of Electrical and Electronic Components

Click to view similar products for [D-Sub Backshells](#) category:

Click to view products by [CONEC](#) manufacturer:

Other Similar products are found below :

[M85049/6-38N](#) [M85049/86-12N03](#) [M85049/90-13P03](#) [70.350.0636.4](#) [70.350.2435.1](#) [72.350.1035.2](#) [72.352.2435.1](#) [73.359.4035.3](#) [829472-1](#)
[PCS-E20W](#) [970-015-040R011](#) [970-025-040R011](#) [971-009-030R121](#) [971-009-040R011](#) [971-015-040R011](#) [1437013-9](#) [1484402-8](#) [156-3025-](#)
[EX](#) [16-500800](#) [165X02659X](#) [165X03329A](#) [165X03399A](#) [165X10259X](#) [165X11759X](#) [165X11889X](#) [165X13019X](#) [165X13029X](#)
[165X13169X](#) [165X13199X](#) [165X13239X](#) [165X13389X](#) [165X13489X](#) [165X14219X](#) [165X14449X](#) [165X17409X](#) [165X17439X](#)
[165X17569X](#) [165X17599X](#) [165X17609X](#) [165X17889X](#) [165X17979X](#) [L171373](#) [971-025-030R121](#) [300X10989X](#) [165X02609X](#)
[165X02639X](#) [165X02689X](#) [165X04219A](#) [165X10469X](#) [165X11279X](#)