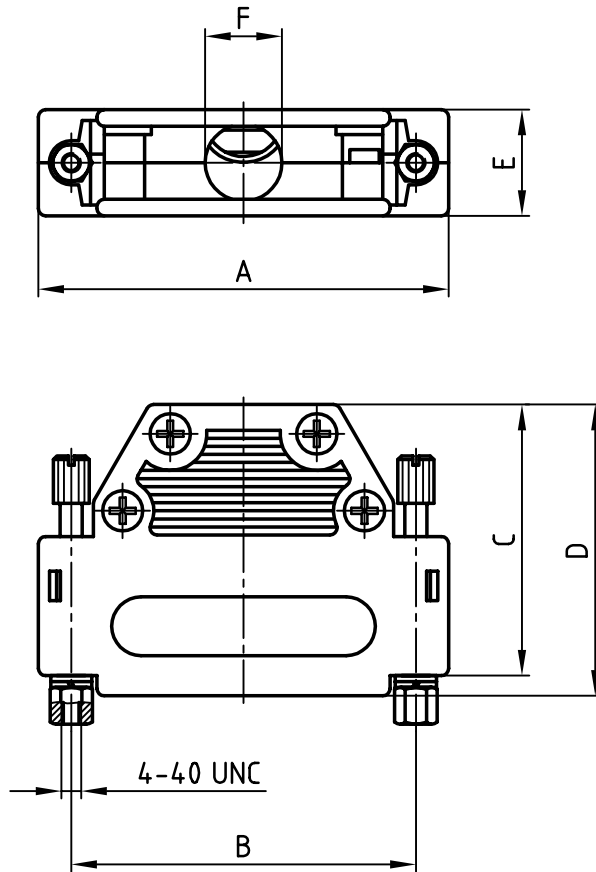


used for: D-SUB



No. of pos.	A	B	C	D	E	F	Part No:
9	34.0	25.0	25.0	27.75	14.5	8.5	165X14209X
15	42.3	33.3	37.0	39.75	14.5	10.0	165X14219X
25	56.0	47.0	37.0	39.75	14.5	10.5	165X14229X
37	72.5	63.5	37.0	39.75	14.5	10.5	165X14239X
50	70.0	61.1	50.0	50.00	21.0	10.5	165X14249X

**NOTES:**

- HOOD MATERIAL: POLYAMID + GF / GREY
- SCREWLOCK: MATERIAL: BRASS NICKEL-PLATING

THIS DRAWING MAY NOT BE COPIED OR REPRODUCED IN ANY WAY, AND MAY NOT BE PASSED ON TO A THIRD PARTY WITHOUT WRITTEN PERMISSION.  
 OWNERSHIP AND COPYRIGHT OF CONEC GmbH  
 DO NOT ALTER CAD DRAWING BY HAND

			tolerance	
2002	date	name		
drawn	04.03.	Schmidt		
appd.	04.03.	Mickenbecker		
norm				
d-old	KAT11Y5A			
rev.	description	date	name	

scale:	1:1		
material:	SEE NOTES		
title:	<b>PLASTIC HOOD</b> with straight cable exit and screw lock, 9 - 50 pos.		
dwg no:	AutoCAD 2000	DIN-A	
	16K1A671	4	
		sh: 1/1	
part no:	SEE TABLE		

4

3

2

1

F

F

E

E

D

D

C

C

B

B

A

A

4

3

2

1

## X-ON Electronics

Largest Supplier of Electrical and Electronic Components

*Click to view similar products for [D-Sub Backshells](#) category:*

*Click to view products by [CONEC](#) manufacturer:*

Other Similar products are found below :

[M85049/6-38N](#) [M85049/86-12N03](#) [M85049/90-13P03](#) [70.350.0636.4](#) [70.350.2435.1](#) [72.350.1035.2](#) [72.352.2435.1](#) [73.359.4035.3](#) [829472-1](#)  
[PCS-E20W](#) [970-015-040R011](#) [970-025-040R011](#) [971-009-030R121](#) [971-009-040R011](#) [971-015-040R011](#) [1437013-9](#) [1484402-8](#) [156-3025-](#)  
[EX](#) [16-500800](#) [165X02659X](#) [165X03329A](#) [165X03399A](#) [165X10259X](#) [165X11759X](#) [165X11889X](#) [165X13019X](#) [165X13029X](#)  
[165X13169X](#) [165X13199X](#) [165X13239X](#) [165X13389X](#) [165X13489X](#) [165X14219X](#) [165X14449X](#) [165X17409X](#) [165X17439X](#)  
[165X17569X](#) [165X17599X](#) [165X17609X](#) [165X17889X](#) [165X17979X](#) [L171373](#) [971-025-030R121](#) [300X10989X](#) [165X02609X](#)  
[165X02689X](#) [165X04219A](#) [165X10469X](#) [165X11279X](#) [165X11789X](#)