

4

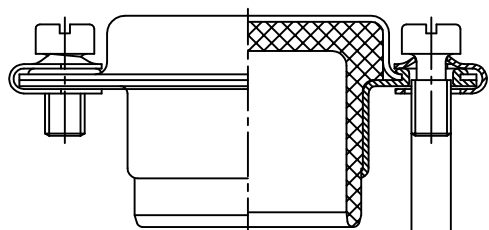
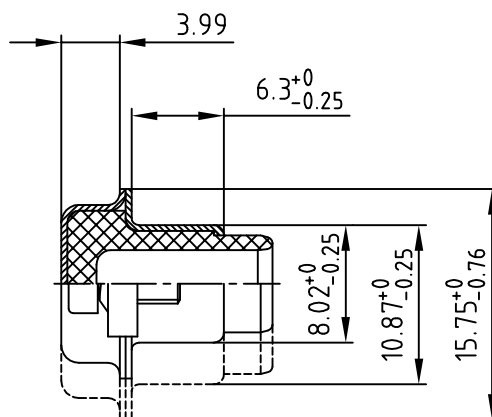
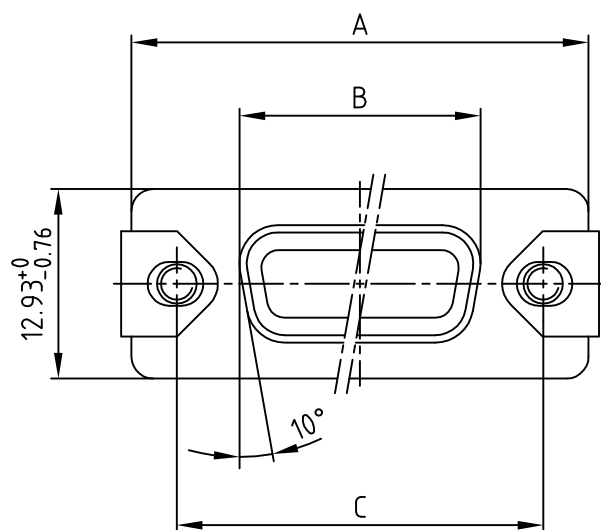
3

2

1

used for:

D-SUB



4-40 UNC

NOTES:

- Ⓒ 1. METALSHELLS: COPPER ALLOY;
min. 315µin TIN over 40-80µin Nickel
- 2. INSULATORS: TPE
- Ⓒ 3. CLAMPS: STAINLESS STEEL
- Ⓒ 4. SCREWS: STAINLESS STEEL

Directive 2002/95/EC RoHS compliant

Shellsize	A -0.76	B -0.25	C	Part No: Bulk package	Part No: Ⓒ Single package
1	31.19	16.46	25.00 ^{+0.12} / _{-0.13}	165X14769X	165X14769XE
2	39.52	24.79	33.30 ^{+0.15} / _{-0.1}	165X14779X	165X14779XE
3	53.42	38.50	47.04 ±0.13	165X14789X	165X14789XE
4	69.70	54.96	63.50 ±0.13	165X14799X	165X14799XE
5	67.31	52.55	61.10 ^{+0.14} / _{-0.11}	165X14809X	165X14809XE

THIS DRAWING MAY NOT BE COPIED OR
 REPRODUCED IN ANY WAY, AND MAY NOT
 BE PASSED ON TO A THIRD PARTY WITHOUT
 WRITTEN PERMISSION.
 OWNERSHIP AND COPYRIGHT OF CONEC GmbH
 DO NOT ALTER CAD DRAWING BY HAND

			tolerance				
			2001	date	name		
			drawn	10.09.	E. Mickenbecker		
			appd.	10.09.	A. Mickenbecker		
			norm	DIN 41652			
3 x c	Ä4329	11.06.2012	K.H.	d-old			
1 x b	Ä4033	30.06.2011	K.H.				
a	Original						
rev.	description	date	name				

scale:	2:1		
material:	SEE NOTES		
title:	HOOD 9-50pos. for plug connector water resistant, shielded for EMI/RFI		
dwg no:	AutoCAD 2000	DIN-A	
	16K1A290A	4	
		sh: 1/1	
part no:	SEE TABLE		

4

3

2

1

X-ON Electronics

Largest Supplier of Electrical and Electronic Components

Click to view similar products for [D-Sub Backshells](#) category:

Click to view products by [CONEC](#) manufacturer:

Other Similar products are found below :

[M85049/6-38N](#) [M85049/86-12N03](#) [M85049/90-13P03](#) [70.350.0636.4](#) [70.350.2435.1](#) [72.350.1035.2](#) [72.352.2435.1](#) [73.359.4035.3](#) [829472-1](#)
[PCS-E20W](#) [970-015-040R011](#) [970-025-040R011](#) [971-009-030R121](#) [971-009-040R011](#) [971-015-040R011](#) [1437013-9](#) [1484402-8](#) [156-3025-](#)
[EX](#) [16-500800](#) [165X02659X](#) [165X03329A](#) [165X03399A](#) [165X10259X](#) [165X11759X](#) [165X11889X](#) [165X13019X](#) [165X13029X](#)
[165X13169X](#) [165X13199X](#) [165X13239X](#) [165X13389X](#) [165X13489X](#) [165X14219X](#) [165X14449X](#) [165X17409X](#) [165X17439X](#)
[165X17569X](#) [165X17599X](#) [165X17609X](#) [165X17889X](#) [165X17979X](#) [L171373](#) [971-025-030R121](#) [300X10989X](#) [165X02609X](#)
[165X02689X](#) [165X04219A](#) [165X10469X](#) [165X11279X](#) [165X11789X](#)