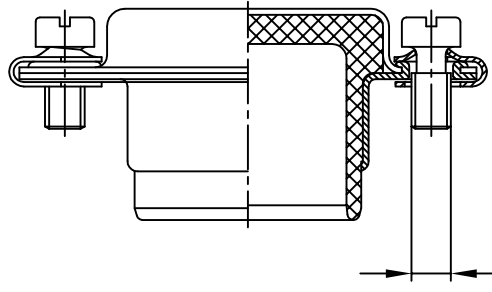
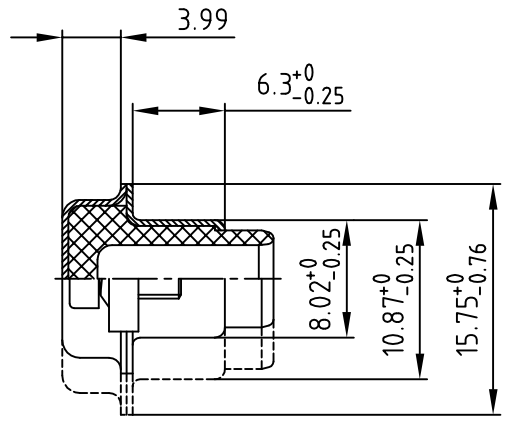
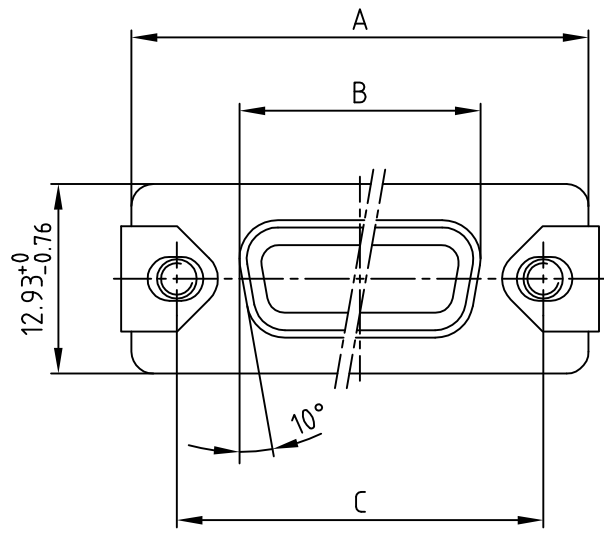


used for: D-SUB



NOTES:

- Ⓒ 1. METALSHELLS: COPPER ALLOY;  
min. 315µin TIN over 40-80µin Nickel
- 2. INSULATORS: TPE
- Ⓒ 3. CLAMPS: STAINLESS STEEL
- Ⓒ 4. SCREWS: STAINLESS STEEL

Directive 2002/95/EC RoHS compliant

Shellsize	A -0.76	B -0.25	C	Part No: Bulk package	Part No: Ⓒ Single package
1	31.19	16.46	25.00 <sup>+0.12</sup> <sub>-0.13</sub>	165X14769X	165X14769XE
2	39.52	24.79	33.30 <sup>+0.15</sup> <sub>-0.1</sub>	165X14779X	165X14779XE
3	53.42	38.50	47.04 ±0.13	165X14789X	165X14789XE
4	69.70	54.96	63.50 ±0.13	165X14799X	165X14799XE
5	67.31	52.55	61.10 <sup>+0.14</sup> <sub>-0.11</sub>	165X14809X	165X14809XE

THIS DRAWING MAY NOT BE COPIED OR REPRODUCED IN ANY WAY, AND MAY NOT BE PASSED ON TO A THIRD PARTY WITHOUT WRITTEN PERMISSION.  
 OWNERSHIP AND COPYRIGHT OF CONEC GmbH  
 DO NOT ALTER CAD DRAWING BY HAND

tolerance					
2001	date	name	title: HOOD 9-50pos. for plug connector water resistant, shielded for EMI/RFI		
drawn	10.09.	E. Mickenbecker			
appd.	10.09.	A. Mickenbecker			
norm	DIN 41652				
3 x c	Ä4329	11.06.2012	K.H.	d-old	dwg no: AutoCAD 2000 16K1A290A part no: SEE TABLE
1 x b	Ä4033	30.06.2011	K.H.		
a	Original				
rev.	description	date	name		

scale:	2:1
material:	SEE NOTES
title:	HOOD 9-50pos. for plug connector water resistant, shielded for EMI/RFI
dwg no:	AutoCAD 2000
	16K1A290A
part no:	SEE TABLE

DIN-A  
4  
sh: 1/1

## X-ON Electronics

Largest Supplier of Electrical and Electronic Components

*Click to view similar products for [D-Sub Backshells](#) category:*

*Click to view products by [CONEC](#) manufacturer:*

Other Similar products are found below :

[M85049/6-38N](#) [M85049/86-12N03](#) [M85049/90-13P03](#) [70.350.0636.4](#) [70.350.2435.1](#) [72.350.1035.2](#) [72.352.2435.1](#) [73.359.4035.3](#) [829472-1](#)  
[PCS-E20W](#) [970-015-040R011](#) [970-025-040R011](#) [971-009-030R121](#) [971-009-040R011](#) [971-015-040R011](#) [1437013-9](#) [1484402-8](#) [156-3025-](#)  
[EX](#) [16-500800](#) [165X02659X](#) [165X03329A](#) [165X03399A](#) [165X10259X](#) [165X11759X](#) [165X11889X](#) [165X13019X](#) [165X13029X](#)  
[165X13169X](#) [165X13199X](#) [165X13239X](#) [165X13389X](#) [165X13489X](#) [165X14219X](#) [165X14449X](#) [165X17409X](#) [165X17439X](#)  
[165X17569X](#) [165X17599X](#) [165X17609X](#) [165X17889X](#) [165X17979X](#) [L171373](#) [971-025-030R121](#) [300X10989X](#) [165X02609X](#)  
[165X02689X](#) [165X04219A](#) [165X10469X](#) [165X11279X](#) [165X11789X](#)