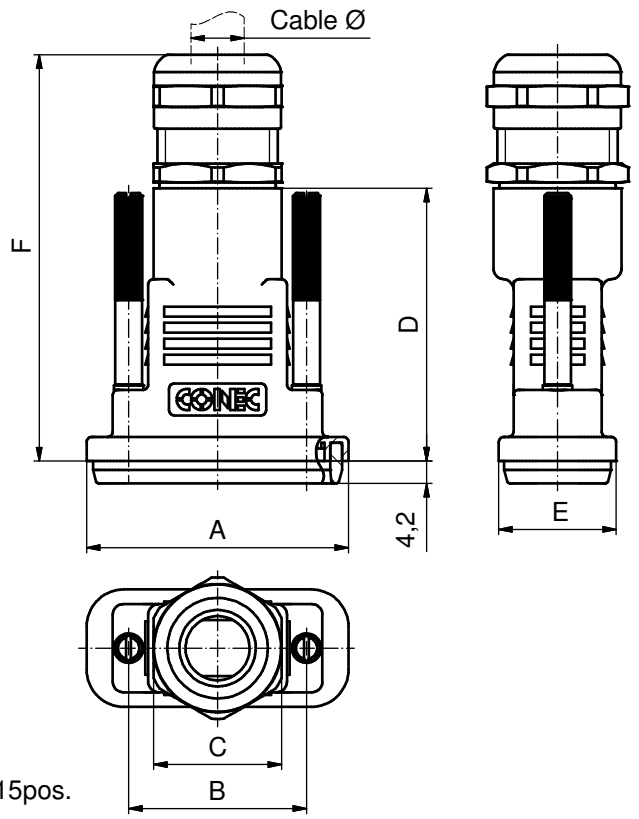
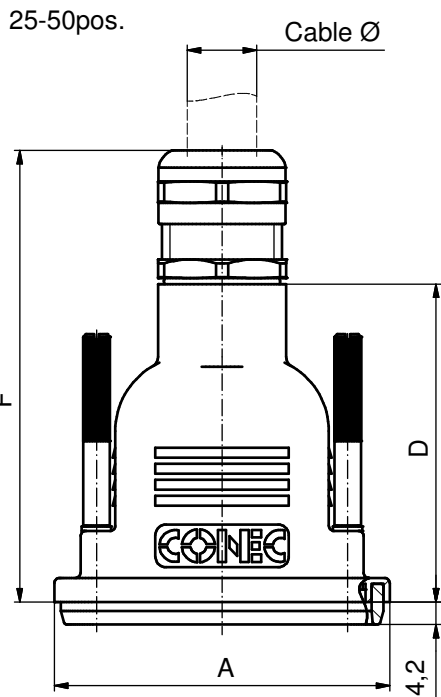


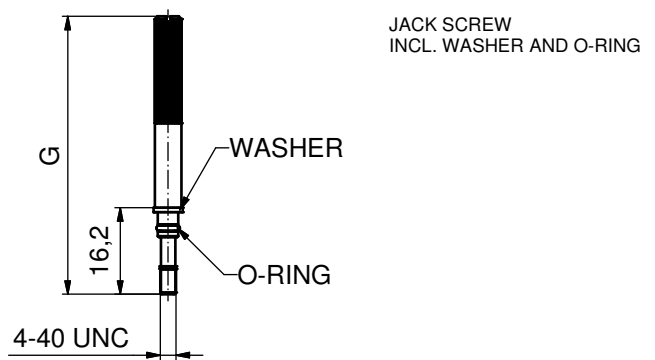
9pos.



15pos.

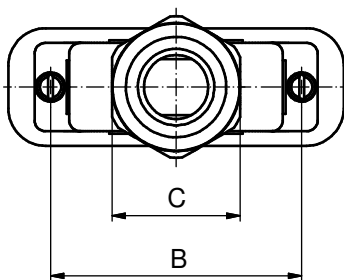


25-50pos.



JACK SCREW  
INCL. WASHER AND O-RING

- NOTES:**
- HOOD: ABS V0, METALLIZED  
TEMPERATURE RANGE -30°C TO +90°C
  - GLAND: BRASS; NICKEL PLATED  
TEMPERATURE RANGE -30°C TO +90°C
  - FRONTSEALING: TPE UL 94 V0  
TEMPERATURE RANGE -30°C TO +90°C
  - O-RING FOR GLAND: NBR  
TEMPERATURE RANGE -30°C TO +90°C
  - JACK SCREW: STAINLESS STEEL  
RECOMMENDED TORQUE: 30 Ncm
  - WASHER: STAINLESS STEEL
  - O-RING FOR JACK SCREW: NBR  
TEMPERATURE RANGE -30°C TO +90°C



Shell-size	A	B	C	D	E	F	G	Cable Ø	RECOMMENDED TORQUE FOR PG-GLAND (d)	Part No. Bulk package	Part No. Single package (c)
1	40.76	25.0	SW 20	51.0	22.0	77.0	44.0	5 - 10	3,0 Nm	165X15019X	165X15019XE
2	49.06	33.3	SW 24	51.0	22.0	79.0	52.0	7 - 12	6,0 Nm	165X15029X	165X15029XE
3	62.80	47.04	SW 24	59.5	22.0	87.5	52.0	7 - 12	6,0 Nm	165X15039X	165X15039XE
4	78.86	63.5	SW 30	67.0	22.0	99.0	52.0	9 - 16	8,0 Nm	165X15049X	165X15049XE
5	76.46	61.1	SW 40	67.0	24.8	107.0	52.0	13 - 20	10,0 Nm	165X15059X	165X15059XE

Directive 2002/95/EC RoHS compliant

THIS DRAWING MAY NOT BE COPIED OR REPRODUCED IN ANY WAY, AND MAY NOT BE PASSED ON TO A THIRD PARTY WITHOUT WRITTEN PERMISSION. OWNERSHIP AND COPYRIGHT OF CONEC GmbH

DO NOT ALTER CAD DRAWING BY HAND

rev.	description	date	name	tolerance	dim. in mm
1 x d	Ä4221	14.02.2012	K.H.	norm	
2 x e	Ä3781	21.10.2010	K.H.	d-old	
2 x b	Ä3353	29.04.2009	Lehmen		
a	Original				

scale:	1:1
material:	SEE NOTES
title:	<b>WATER RESISTANT D-SUB HOOD</b> 9-50pos. with jack screws
dwg no:	16K1A1115
part no:	SEE TABLE
DIN-A3	sh: 1



## X-ON Electronics

Largest Supplier of Electrical and Electronic Components

*Click to view similar products for* [Circular MIL Spec Tools, Hardware & Accessories](#) *category:*

*Click to view products by* [CONEC](#) *manufacturer:*

Other Similar products are found below :

[809-199-3](#) [001104](#) [300 04](#) [600-006-16](#) [600-079-06](#) [M10-101982-143](#) [M10-101982-163](#) [M10-101983-183](#) [M10-150912-083](#) [M10-454396-008](#) [602GB18808](#) [M225201-06](#) [M24758-20E21](#) [M2887610-BC](#) [M2887615-CD](#) [M38999/9-19B](#) [62GB-812-10](#) [630A007NF083A](#) [630B007M051A](#) [630BJ003NF032H](#) [637-149NF04B](#) [M39029/29-215](#) [650FS002NF16](#) [M81969-14-02](#) [660-008NF14S7-01](#) [660-009M22H8-03](#) [660-013NF19U6-210](#) [660-015M10S6-17](#) [660-015NF10S5-01](#) [660-015NF14R3.5-01](#) [660-023NF19H6-19](#) [660-024N09S5-104](#) [660-024NF11S12-01](#) [660-024NF11S3-01](#) [660-050XM17F4-01](#) [660-068NF25R6-30G](#) [660-070M23S8-04](#) [660-073MTCH9-20](#) [M83723/60-116RC](#) [M83723/61-18W](#) [M83723/61-218R](#) [M83723/61-224W](#) [667-224NF16](#) [M85049/118S22A](#) [M85049/126S11N](#) [M85049130-07M](#) [M85049140-09BC](#) [M85049/41-16A W/B](#) [687-697NF-1](#) [M85049/75-14-1](#) [M8504980-8](#)