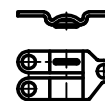
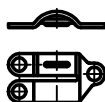
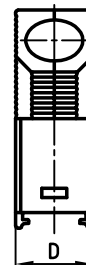
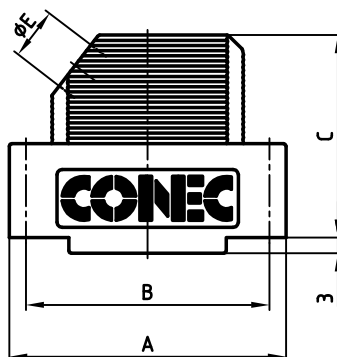
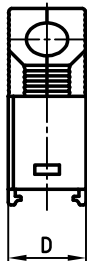
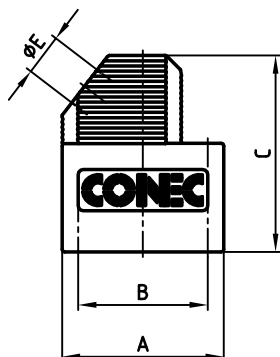


used for: D-SUB

9pos.

15-50pos.



1 x CABLE CLAMP / VERSION 1

1 x CABLE CLAMP / VERSION 2

3 x SCREW FOR CABLE CLAMP

9pos. = 1 x FULL METAL SCREW
15-50pos. = 2 x FULL METAL SCREW

Directive 2002/95/EC
"RoHS"
Compliant

No. of pos.	A ±0.1	B	C ±0.2	D	ØE	Part No: Bulk package	Part No: Single package
9	31.20	25.0	37.95	15.0	8.0	165X16169X	165X16169XE
15	39.52	33.3	38.95	15.0	9.0	165X16179X	165X16179XE
25	53.42	47.0	38.95	15.0	11.0	165X16189X	165X16189XE
37	69.70	63.5	38.95	15.0	11.0	165X16199X	165X16199XE
50	67.30	61.1	38.95	19.0	14.5	165X16209X	165X16209XE

NOTES:

HOOD: PC GF 20 UL 94 V-0; GREY
FULL METAL SCREW: Ms 58 HARD; NICKEL PLATED
CABLE CLAMP: Cu Ni 18 Zn 20
SCREW FOR CABLE CLAMP: STEEL; NICKEL PLATED

APPROVAL # FREIGABE # DEBLOCAGE # AUTORIZACION # APPROVAL

CUSTOMER APPROVAL DATE:

NAME: TITLE:

COMPANY NAME:

APPROVAL # FREIGABE # DEBLOCAGE # AUTORIZACION # APPROVAL

THIS DRAWING MAY NOT BE COPIED OR REPRODUCED IN ANY WAY, AND MAY NOT BE PASSED ON TO A THIRD PARTY, WITHOUT WRITTEN PERMISSION. OWNERSHIP AND COPYRIGHT OF CONEC GmbH DO NOT ALTER CAD DRAWING BY HAND

rev.	description	date	name
a	Origin		



tolerance	scale: 1:1
dim. in mm	material: SEE NOTES
2010 date name	title: PLASTIC HOOD 9-50pos. shielded version grey with metal screw
drawn 20.04. Henneboel	
appd. 20.04. Fischer	
norm DIN 41652	dwg no: AutoCAD 2006 DIN-A
d-old	16K1A2639
part no: SEE TABLE	sh: 1/1

X-ON Electronics

Largest Supplier of Electrical and Electronic Components

Click to view similar products for [D-Sub Backshells](#) category:

Click to view products by [CONEC](#) manufacturer:

Other Similar products are found below :

[M85049/6-38N](#) [M85049/86-12N03](#) [M85049/90-13P03](#) [70.350.0636.4](#) [70.350.2435.1](#) [72.350.1035.2](#) [72.352.2435.1](#) [73.359.4035.3](#) [829472-1](#)
[PCS-E20W](#) [970-015-040R011](#) [970-025-040R011](#) [971-009-030R121](#) [971-009-040R011](#) [971-015-040R011](#) [1437013-9](#) [1484402-8](#) [156-3025-](#)
[EX](#) [16-500800](#) [165X02659X](#) [165X03329A](#) [165X03399A](#) [165X10259X](#) [165X11759X](#) [165X11889X](#) [165X13019X](#) [165X13029X](#)
[165X13169X](#) [165X13199X](#) [165X13239X](#) [165X13389X](#) [165X13489X](#) [165X14219X](#) [165X14449X](#) [165X17409X](#) [165X17439X](#)
[165X17569X](#) [165X17599X](#) [165X17609X](#) [165X17889X](#) [165X17979X](#) [L171373](#) [971-025-030R121](#) [300X10989X](#) [165X02609X](#)
[165X02639X](#) [165X02689X](#) [165X04219A](#) [165X10469X](#) [165X11279X](#)