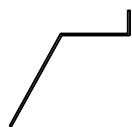
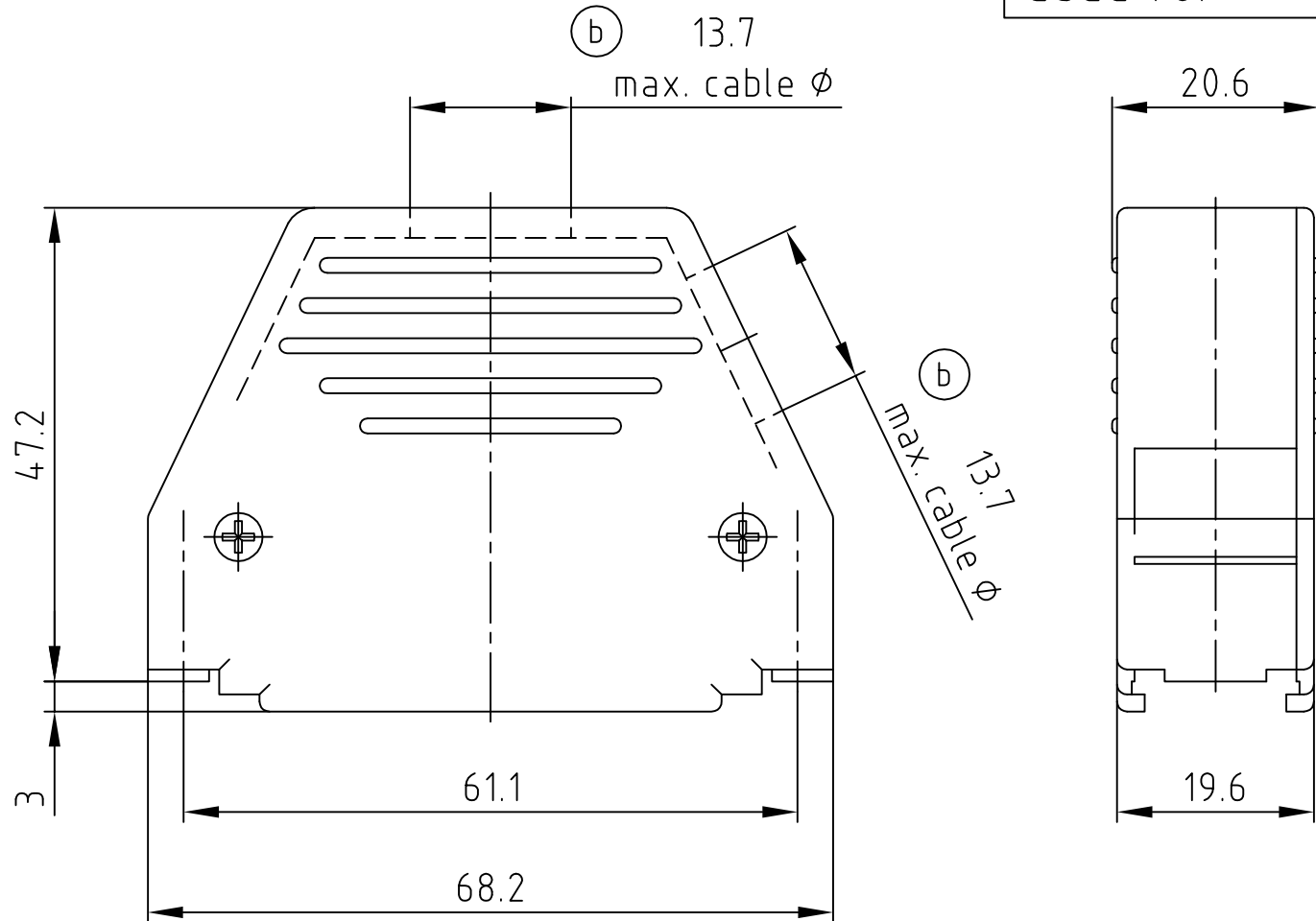
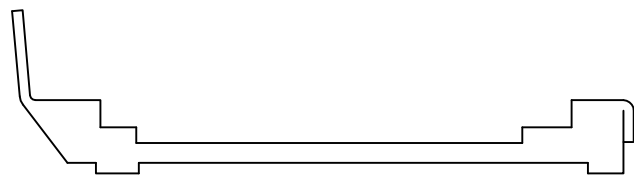


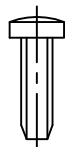
used for: D-SUB



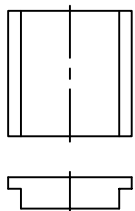
1 x SPRING



1 x SLIDE LOCK



2 x SCREW



1 x BLIND PLUG

APPROVAL # FREIGABE # DEBLOCAGE # AUTOR/ZACION # APPROVAL	
CUSTOMER APPROVAL DATE:	
NAME:	TITLE:
COMPANY NAME:	
APPROVAL # FREIGABE # DEBLOCAGE # AUTOR/ZACION # APPROVAL	

MATERIAL:
 HOOD: ABS UL 94 V-0; METALLIZED
 SPRING: STEEL; TIN PLATED
 SLIDE LOCK: STEEL; NICKEL PLATED
 SCREWS: STEEL; NICKEL PLATED
 BLIND PLUG: ABS UL 94 V-0; METALLIZED

THIS DRAWING MAY NOT BE COPIED OR REPRODUCED IN ANY WAY, AND MAY NOT BE PASSED ON TO A THIRD PARTY WITHOUT WRITTEN PERMISSION. OWNERSHIP AND COPYRIGHT OF CONEC GmbH DO NOT ALTER CAD DRAWING BY HAND

				tolerance		scale: 1:1
					dim. in mm	material: SEE NOTES
				2005	date	name
				drawn	24.06.	Lehmenkühler
				appd.	24.06.	Fischer
				norm		
				d-old		
2 x b	Ä 2620	05.12.2006	ES			
rev.	description	date	name			

title:		PLASTIC HOOD 50pos. with slide lock and spring	
dwg no:	AutoCAD 2004	DIN-A	4
part no:		16K1A1435	sh: 1/1
part no:		165X16569X	

4

3

2

1

X-ON Electronics

Largest Supplier of Electrical and Electronic Components

Click to view similar products for [D-Sub Backshells](#) category:

Click to view products by [CONEC](#) manufacturer:

Other Similar products are found below :

[M85049/6-38N](#) [M85049/86-12N03](#) [M85049/90-13P03](#) [70.350.0636.4](#) [70.350.2435.1](#) [72.350.1035.2](#) [72.352.2435.1](#) [73.359.4035.3](#) [829472-1](#)
[PCS-E20W](#) [970-015-040R011](#) [970-025-040R011](#) [971-009-030R121](#) [971-009-040R011](#) [971-015-040R011](#) [1437013-9](#) [1484402-8](#) [156-3025-](#)
[EX](#) [16-500800](#) [165X02659X](#) [165X03329A](#) [165X03399A](#) [165X10259X](#) [165X11759X](#) [165X11889X](#) [165X13019X](#) [165X13029X](#)
[165X13169X](#) [165X13199X](#) [165X13239X](#) [165X13389X](#) [165X13489X](#) [165X14219X](#) [165X14449X](#) [165X17409X](#) [165X17439X](#)
[165X17569X](#) [165X17599X](#) [165X17609X](#) [165X17889X](#) [165X17979X](#) [L171373](#) [971-025-030R121](#) [300X10989X](#) [165X02609X](#)
[165X02639X](#) [165X02689X](#) [165X04219A](#) [165X10469X](#) [165X11279X](#)