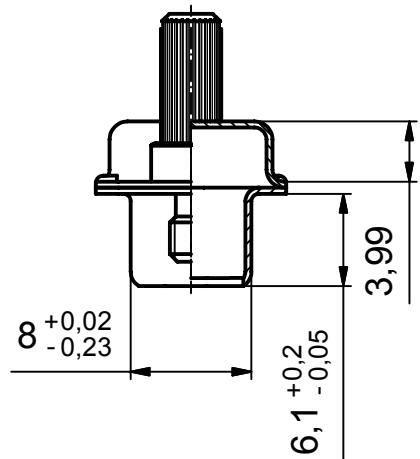
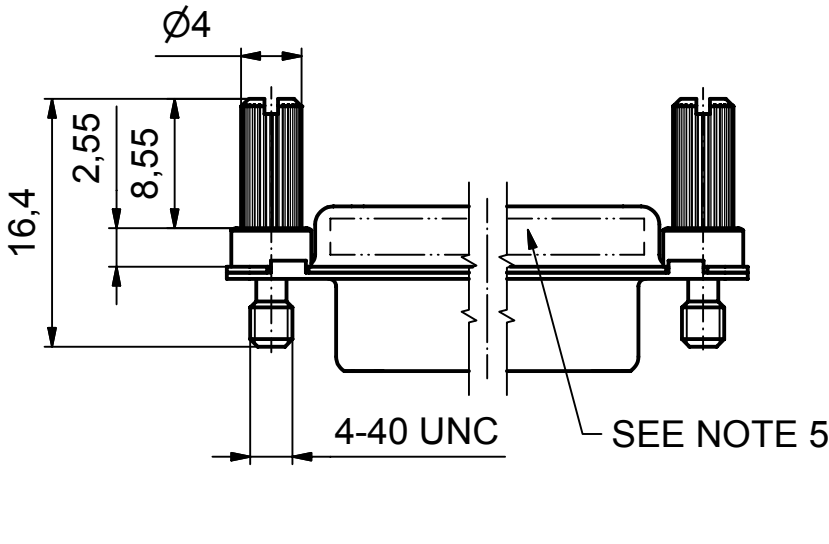
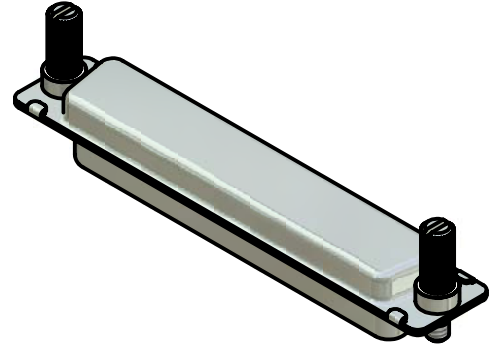
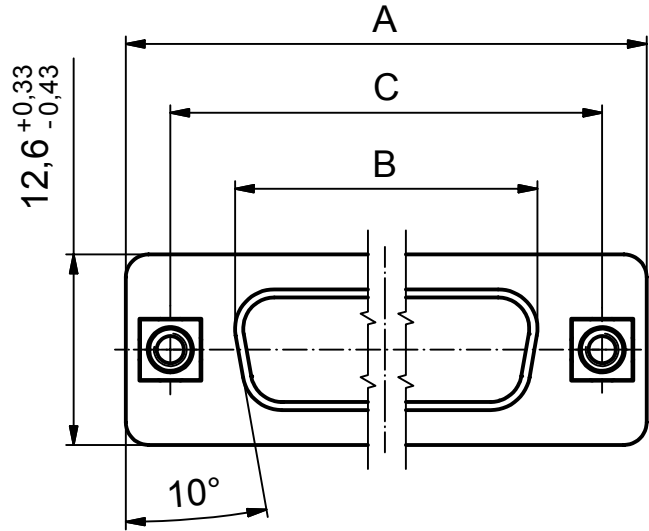


POS.	A -0.76	B -0.25	C	Part-No.
9	31,19	16.46	25,00 ^{+0,12} _{-0,10}	165X17009X
15	39,52	24.79	33,30 ^{+0,15}	165X17019X
25	53,42	38.50	47,04 ^{±0,13}	165X17029X
37	69,70	54.96	63,50 ^{+0,13} _{-0,11}	165X17039X



NOTES:

1. METALSHELLS: STEEL; min. 315µin TIN over 40-80µin NICKEL
2. THREADED INSERT: COPPER ALLOY; min. 200µin TIN over 80µin NICKEL
3. COLLAR: COPPER ALLOY; min. 200µin TIN over 80µin NICKEL
4. JACK SCREW: STEEL; NICKEL PLATED
5. COVERED SCREE CAP IS PART MARKED: PART-NO. CONEC ABC



THIS DRAWING MAY NOT BE COPIED OR REPRODUCED IN ANY WAY, AND MAY NOT BE PASSED ON TO A THIRD PARTY WITHOUT WRITTEN PERMISSION. OWNERSHIP AND COPYRIGHT OF CONEC GmbH

DO NOT ALTER CAD DRAWING BY HAND				finish:		tolerance		dim. in mm		scale:		2:1	
				SEE NOTES								material:	
						date		name		title: COVERED SCREE CAP 9-37pos. FOR PLUG CONNECTOR with jack screw			
						drawn 21.07.06		Lehmenkühler					
						appd. 21.07.06		Kühle		dwg no: Inventor 10 DIN-A4			
						norm							
						d-old				part no: 16K1A1853 sh: 1			
										part no: SEE TABLE			



X-ON Electronics

Largest Supplier of Electrical and Electronic Components

Click to view similar products for [D-Sub Backshells](#) category:

Click to view products by [CONEC](#) manufacturer:

Other Similar products are found below :

[M85049/6-38N](#) [M85049/86-12N03](#) [M85049/90-13P03](#) [70.350.0636.4](#) [70.350.2435.1](#) [72.350.1035.2](#) [72.352.2435.1](#) [73.359.4035.3](#) [829472-1](#)
[PCS-E20W](#) [970-015-040R011](#) [970-025-040R011](#) [971-009-030R121](#) [971-009-040R011](#) [971-015-040R011](#) [1437013-9](#) [1484402-8](#) [156-3025-](#)
[EX](#) [16-500800](#) [165X02659X](#) [165X03329A](#) [165X03399A](#) [165X10259X](#) [165X11759X](#) [165X11889X](#) [165X13019X](#) [165X13029X](#)
[165X13169X](#) [165X13199X](#) [165X13239X](#) [165X13389X](#) [165X13489X](#) [165X14219X](#) [165X14449X](#) [165X17409X](#) [165X17439X](#)
[165X17569X](#) [165X17599X](#) [165X17609X](#) [165X17889X](#) [165X17979X](#) [L171373](#) [971-025-030R121](#) [300X10989X](#) [165X02609X](#)
[165X02639X](#) [165X02689X](#) [165X04219A](#) [165X10469X](#) [165X11279X](#)